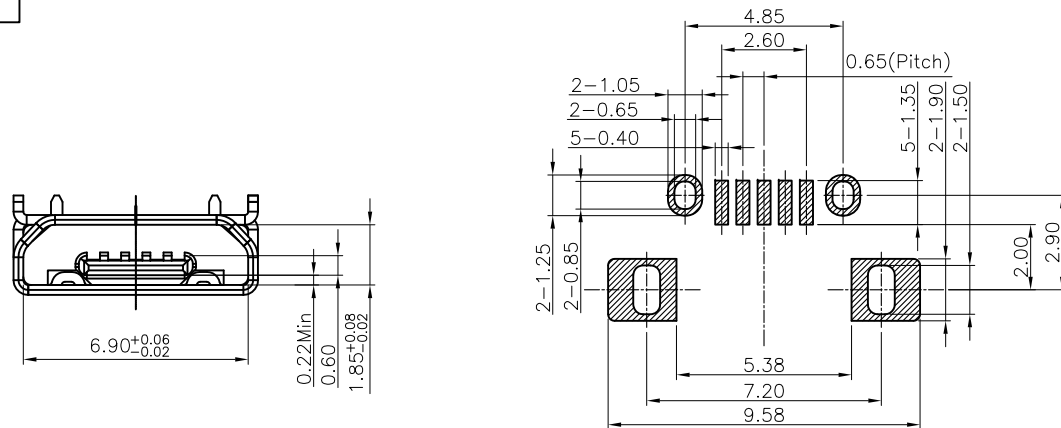


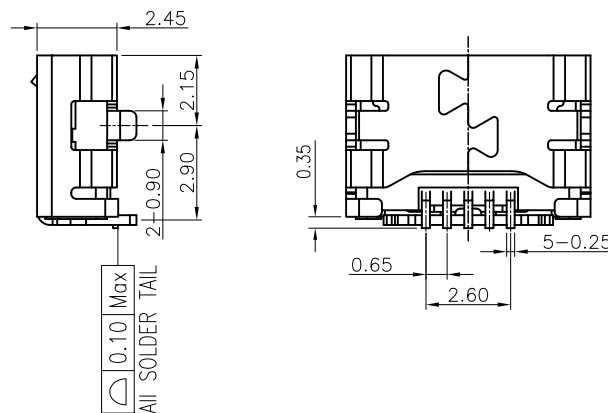
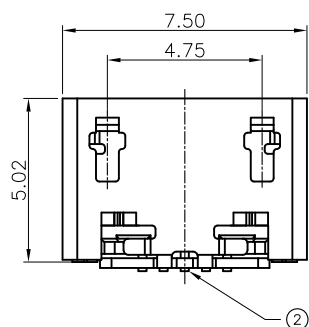
RoHS

REV.	LOCAS.	DESCRIPTION	DRAW.	DATE.
01	NEW	INITIAL RELEASE.	Jeff	2014.10.30

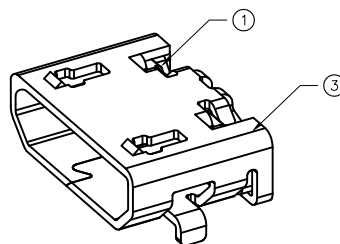
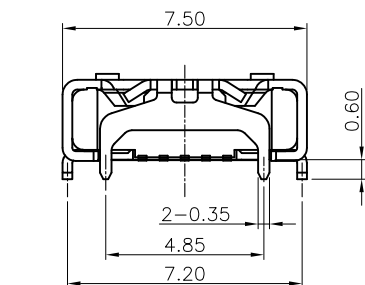


RECOMMENDED PCB LAYOUT(TOP VIEW)

GENERAL TOLERANCES:±0.05



0.10 Max
ALL SOLDER TAIL



NOTES:

- MATERIAL&FINISH:SEE TABLE A;
- SPECIALITY:
 - RATED CURRENT:1.8A For Pin1.5
0.5A For Pin 2.3.4
 - RATED VOLTAGE:30V
 - CONTACT RESISTANCE:30mΩ Max
 - INSULATION RESISTANCE:1000MΩ Min 500V DC
 - DIELECTRIC WITHSTANDING VOLTAGE:100V AC 1Min.
 - SOLDER ABILITY:255±5°C, 5±0.5S.
 - DURABILITY:5000 CYCLES Min.
 - OPERATING CONDITION:TEMPERATURE-40°C~+85°C;
HUMIDITY 80% R.H Max
- MECHANICAL:
 - INSERTION FORCE:35N Max
 - EXTRACTION FORCE:8N Min
- PLEASE CONTACT JITS SALES REPRESENTATIVE TO VERIFY PRODUCT DETAILS & AVAILABILITY

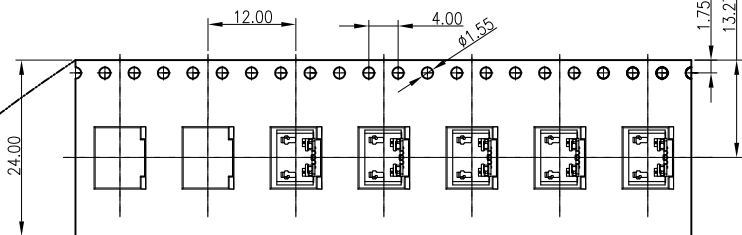
Table A:

NO	Description	Dosage	Material	Color/plating
3	Shell	1PC	STAINLESS STEEL	80~120u" MATTTER TIN PLATING ALL ; 50~80u" NICKEL UNDERPLATING OVER ALL
2	Termiral	1SET	COPPER ALLOY	GOLD FLASH PLATED ON CONTACT AREA; GOLD FLASH PLATING ON SOLDER TAIL AREA; 50~80u" NICKEL UNDERPLATING OVER ALL
1	Housing	1PC	HIGH TEMPERATURE PASTIC	UL94V-0; COLOR BLACK

MEASURE POINT: (QP) QUADRANT POINT (TP) TANGENCY POINT (IP)					
					DESING
	CHECKED	Jeff	DATE	2014.10.30	
	APPROVED	Junly	DATE	2014.10.30	
UNLESS OTHERWISE SPECIFIED,TOLERANCE: X. ±0.25 X.x ±0.20 X.xx ±0.15 ANGULAR ±3°	PART NO: UA245-K0540A		REV: 01	SCALE: 1:1	UNIT: mm
DRAWING NO: UA245-K0540A		SIZE: A4	SHEET: 1/2		

RoHS

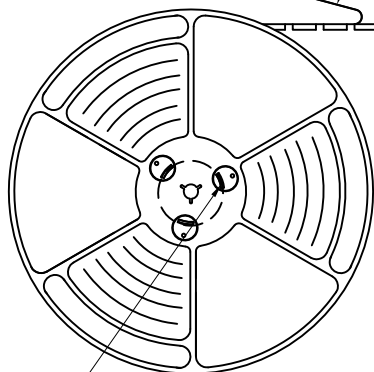
User Direction of Unreeling



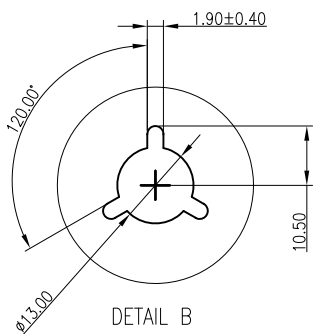
COVER TAPE PEELING ANGLE: 165°~180°
PEELING FORCE: 20~130g

CARRIER TAPE

User Direction of Unreeling



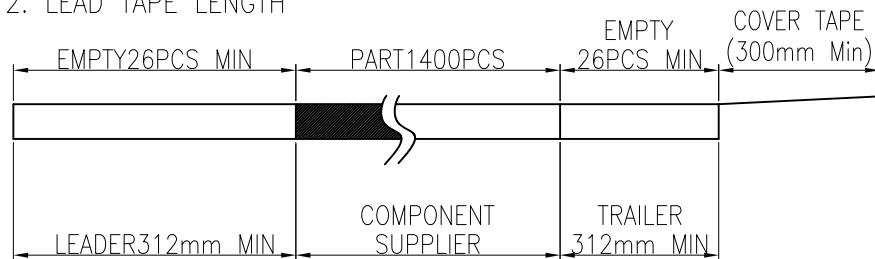
DETAIL B



DETAIL B

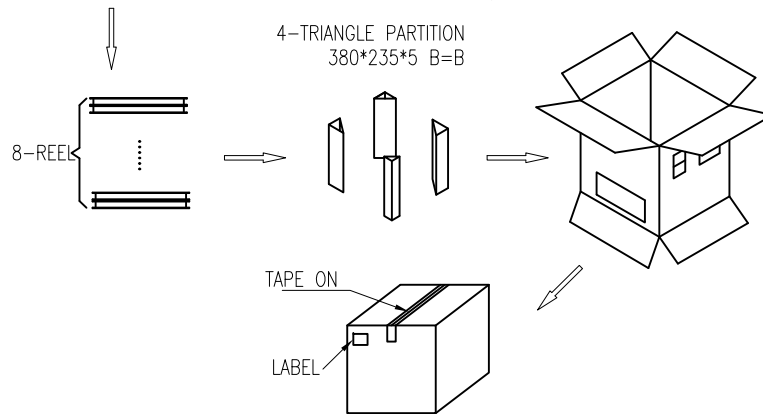
NOTES

1. NUMBER OF CONNECTORS: 1400PCS/REEL
2. LEAD TAPE LENGTH



3. QUANTITY: 11200PCS/CARTON
4. WEIGHT :
 - 3.1 NET WEIGHT : 3.00Kg
 - 3.2 GROSS WEIGHT : 5.90Kg

CARTON
342*342*250 K=K



MEASURE POINT:
 QUADRANT POINT (QP)
 TANGENCY POINT (TP)
 INTERSECTION POINT (IP)

JITS JITS
 TECHNOLOGY CO., LIMITED

UNLESS OTHERWISE SPECIFIED, TOLERANCE:
 X. ±0.25
 X.x ±0.20
 X.xx ±0.15
 ANGULAR ±3°

DESIGN	Jeff	DATE	2014.10.30	TITLE:	Micro USB 5 Pins On Board Type 4DIP TYPE
CHECKED	Jeff	DATE	2014.10.30		
APPROVED	Junly	DATE	2014.10.30		
PART NO:	UA245-K0540A			REV:	01
DRAWING NO:	UA245-K0540A			SCALE:	1:1
				UNIT:	mm
				SIZE:	A4
				SHEET:	2/2