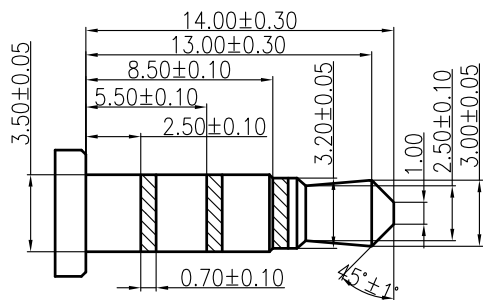
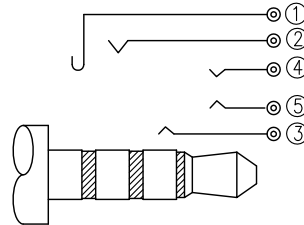
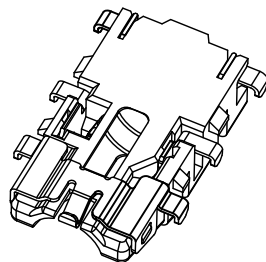


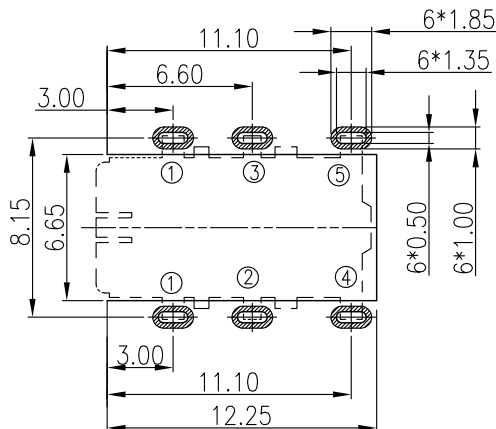
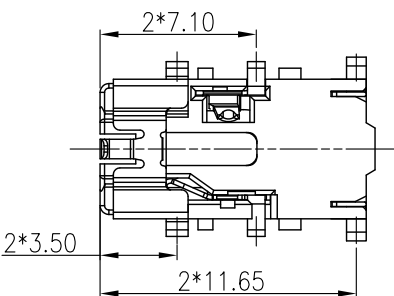
RoHS



PLUG SPEC



REV.	LOCAS.	DESCRIPTION	DRAW.	DATE.
1	NEW	INITIAL RELEASE.	jackey	2014.10.23
2		Update Drawing	LIMAN LI	2016.01.22



RECOMMEND PCB LAYOUT
TOLERANCE : ±0.05
TOP View

NOTES:

- MATERIAL:SEE TABLE
- SPECIALITY:
 - Rated Voltage:12V
 - Contact Resistance:30mΩ Max
After life test:50mΩ Max
 - Insulation Resistance:100MΩ Min 500V DC
 - Dielectric Withstanding Voltage:500V AC
 - Solder Ability:245±5°C;5±0.5s
 - Durability:5000 cycles
Insertion Force:30N max
Extraction Force:3N min
 - Operating Condition:Temperature:-30°C~+80°C;
Humidity:80%R.H Max
- PLEASE CONTACT JITS SALES REPRESENTATIVE TO VERIFY PRODUCTDETAILS & AVAILABILITY

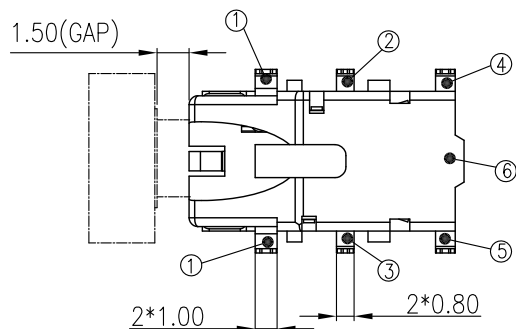
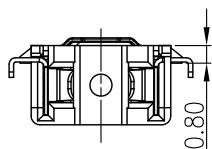
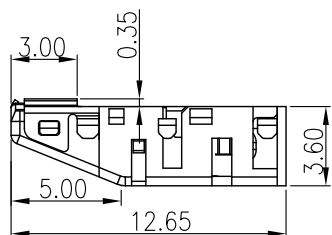
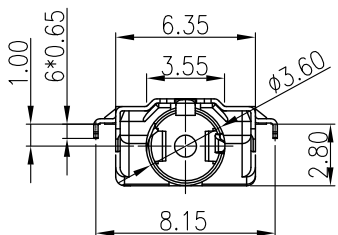


TABLE:

6	Housing	1PC	High Temperature Thermoplastic	BLACK
5	Termiral 5	1PC	Stainless Steel,T=0.20	Contact Au: 3u",solder Au: 1u",Ni: 60u"min
4	Termiral 4	1PC	Stainless Steel,T=0.20	Contact Au: 3u",solder Au: 1u",Ni: 60u"min
3	Termiral 3	1PC	Copper Alloy,T=0.20	Contact Au: 3u",solder Au: 1u",Ni: 60u"min
2	Termiral 2	1PC	Copper Alloy,T=0.20	Contact Au: 3u",solder Au: 1u",Ni: 60u"min
1	Termiral 1	1PC	Copper Alloy,T=0.20	Contact Au: 3u",solder Au: G/F,Ni: 60u"min
NO	Description	Dosage	Material	Color/solder

MEASURE POINT: QUADRANT POINT (QP)
TANGENCY POINT (TP)
INTERSECTION POINT (IP)

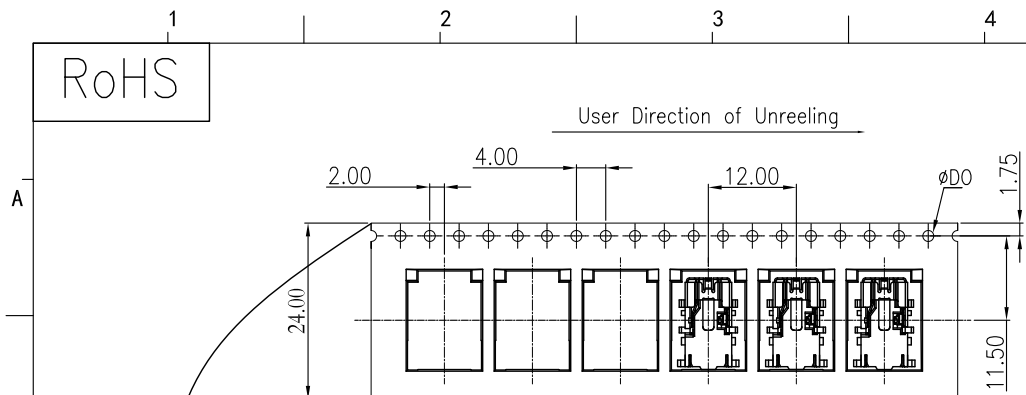
JITS JITS TECHNOLOGY CO., LIMITED

UNLESS OTHERWISE SPECIFIED,TOLERANCE:

X. iA0.25
X.x iA0.20
X.xx iA0.15
ANGULAR iA3is

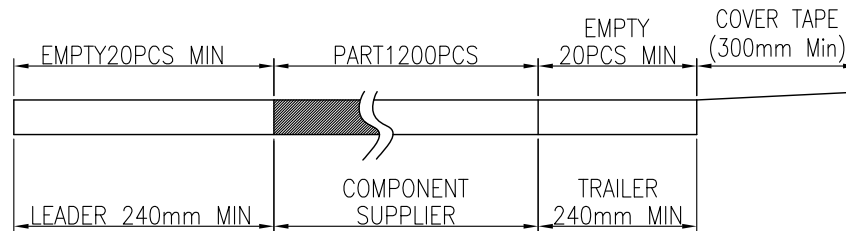
DESING	DATE	TITLE:		
CHECKED	DATE	ø3.5 PHONE JACK 3.6H,5P, STD,REVERSESUBSIDE1.4		
APPROVED	DATE			
PART NO: DAO80-K4-04A	REV: 02	SCALE: 1:1	UNIT: mm	
DRAWING NO: DAO80-K4-04A	SIZE: A4	SHEET: 1/2		

RoHS



NOTES

1. NUMBER OF CONNECTORS:1200PCS/REEL
2. LEAD TAPE LENGTH



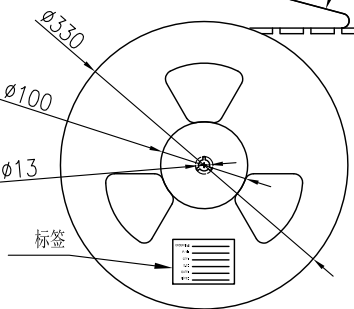
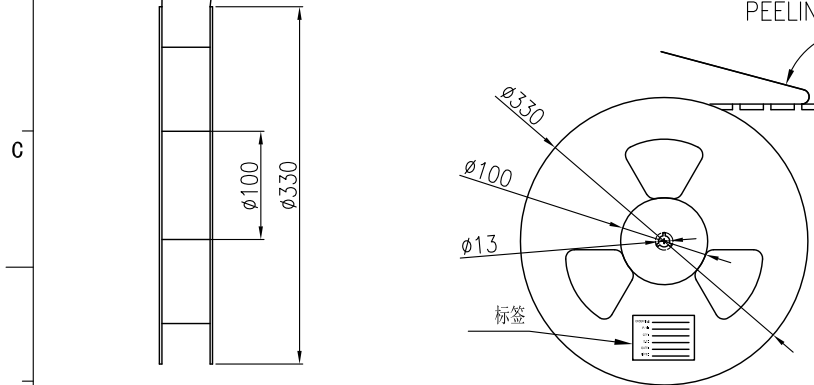
3. QUANTITY:9600CS/CARTON

4. WEIGHT :

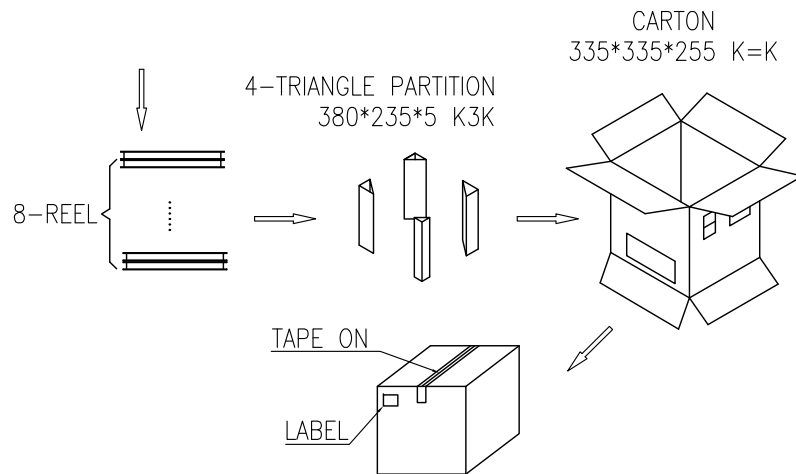
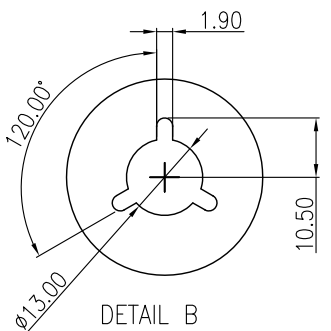
- 3.1 NET WEIGHT : 3.2Kg
- 3.2 GROSS WEIGHT : 6.1Kg

COVER TAPE PEELING ANGLE:165°~180°
PEELING FORCE:20~130g

CARRIER TAPE



User Direction of Unreeling



MEASURE POINT:
QUADRANT POINT (QP)
TANGENCY POINT (TP)
INTERSECTION POINT (IP)

JTS JITS TECHNOLOGY CO., LIMITED

UNLESS OTHERWISE SPECIFIED, TOLERANCE:

- X. iA0.25
- X.x iA0.20
- X.xx iA0.15
- ANGULAR iA3i8

DESING	DATE	TITLE:		
CHECKED	DATE	ø3.5 PHONE JACK 3.6H,5P, STD,REVERSE SUBSIDE 1.4		
APPROVED	DATE			
PART NO: DA080-K4-04A	REV: 02	SCALE: 1:1	UNIT: mm	
DRAWING NO: DA080-K4-04A	SIZE: A4	SHEET: 2/2		