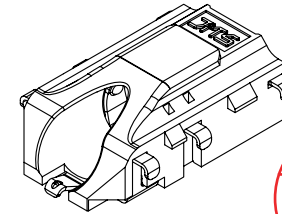
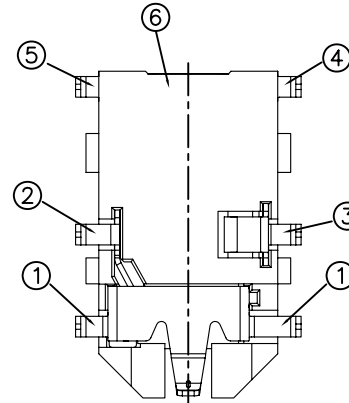
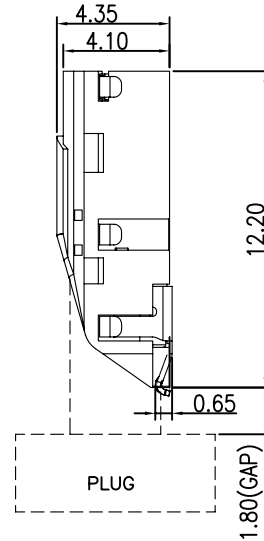
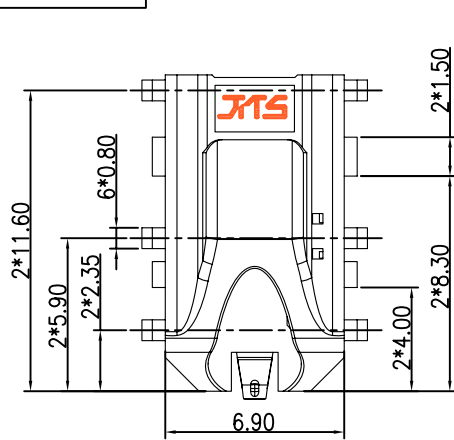
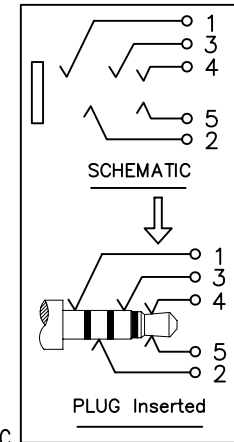


RoHS

REV.	LOCAS.	DESCRIPTION	DRAW.	DATE.
01	NEW	INITIAL RELEASE.	Liman.li	2016.03.09



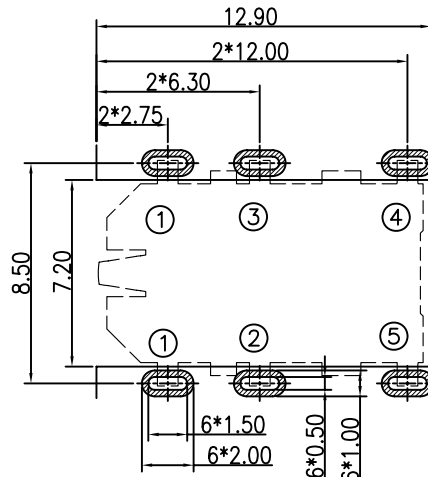
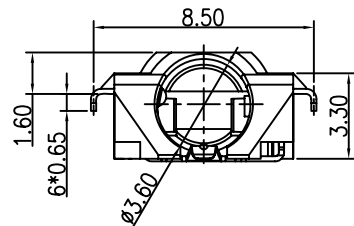
受控文件
2016.03.21
文控中心



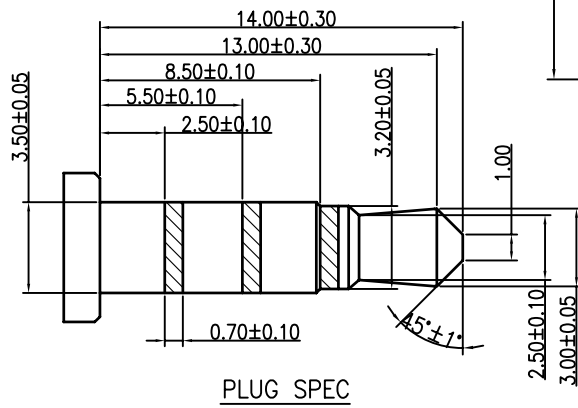
- NOTES:
- MATERIAL:SEE TABLE
 - SPECIALITY:
 - Rated Current:1A
 - Rated Voltage: DC12V
 - Contact Resistance:30mΩ Max
After life test:50mΩ Max
 - Insulation Resistance:100MΩ Min 500V DC
 - Dielectric Withstanding Voltage:500V AC 1MIN
 - Solder Ability:245±5°C;5±0.5s
 - Durability:5000 cycles
 - Operating Condition:Temperature:-25°C~+70°C;
Humidity:85%R.H Max
 - MECHANICAL:
 - Insertion Force:30N max
 - Extraction Force:3N min
 - Please contact JITS sales representative to verify Product Details & Availability

TABLE:

NO	Description	Dosage	Material	Color/solder
6	Housing	1PC	HIGH TEMPERATURE THERMOPLASTIC	BLACK
5	Termiral 5	1PC	Copper Alloy,T=0.20	Contact Au: 2u",solder Au: 1u",Ni: 60u"min
4	Termiral 4	1PC	Copper Alloy,T=0.20	Contact Au: 2u",solder Au: 1u",Ni: 60u"min
3	Termiral 3	1PC	Copper Alloy,T=0.20	Contact Au: 2u",solder Au: 1u",Ni: 60u"min
2	Termiral 2	1PC	Copper Alloy,T=0.20	Contact Au: 2u",solder Au: 1u",Ni: 60u"min
1	Termiral 1	1PC	Copper Alloy,T=0.20	Contact Au: 2u",solder Au: 1u",Ni: 60u"min



RECOMMEND PCB LAYOUT
TOLERANCE :±0.05
TOP VIEW



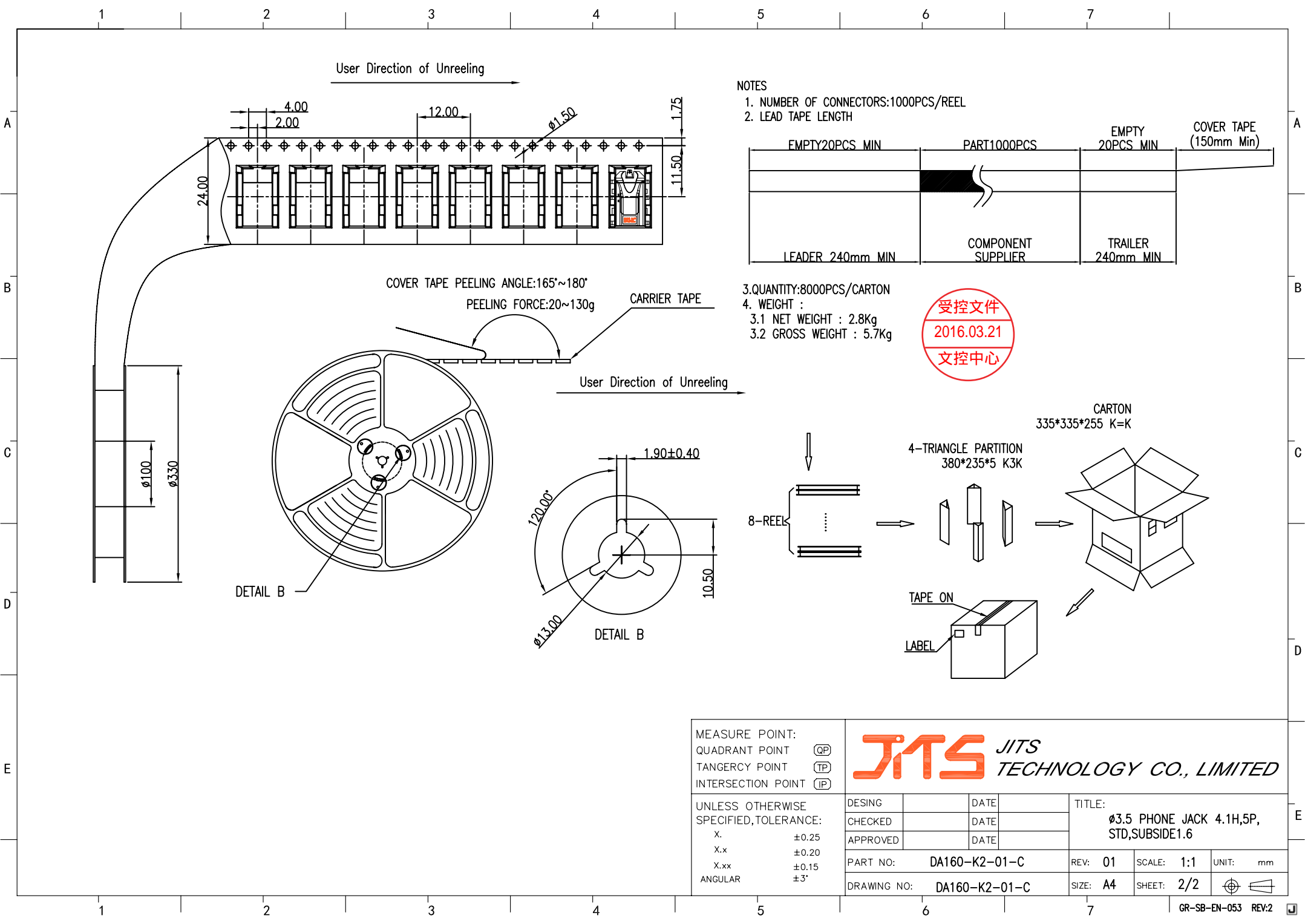
PLUG SPEC

MEASURE POINT: (QP)
QUADRANT POINT (TP)
TANGENCY POINT (IP)
INTERSECTION POINT

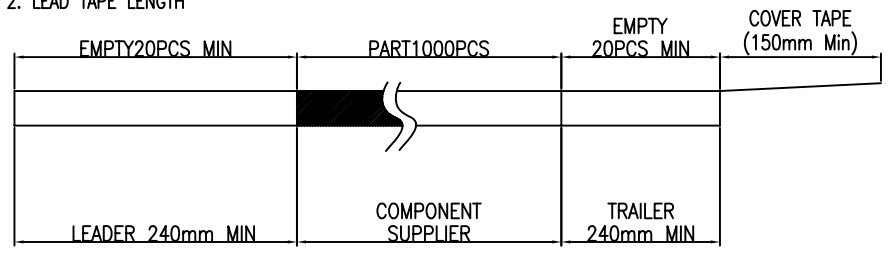


UNLESS OTHERWISE SPECIFIED, TOLERANCE:
X. ±0.25
X.x ±0.20
X.xx ±0.15
ANGULAR ±3'

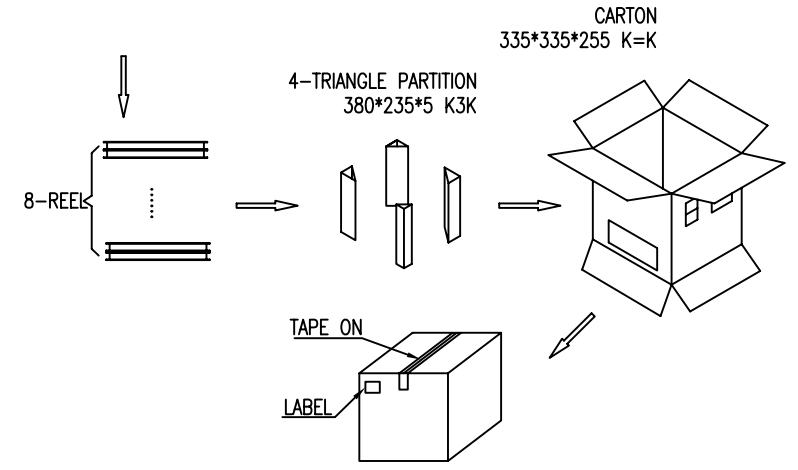
DESING	DATE	TITLE:	REV:	SCALE:	UNIT:
CHECKED	DATE	Ø3.5 PHONE JACK 4.1H,5P, STD,SUBSIDE 1.6	01	1:1	mm
APPROVED	DATE		01	1:1	mm
PART NO: DA160-K2-01-C		REV: 01	SCALE: 1:1	UNIT: mm	
DRAWING NO: DA160-K2-01-C		SIZE: A4	SHEET: 1/2		



- NOTES
1. NUMBER OF CONNECTORS: 1000PCS/REEL
 2. LEAD TAPE LENGTH



3. QUANTITY: 8000PCS/CARTON
4. WEIGHT :
 - 3.1 NET WEIGHT : 2.8Kg
 - 3.2 GROSS WEIGHT : 5.7Kg



MEASURE POINT: QUADRANT POINT (QP) TANGENCY POINT (TP) INTERSECTION POINT (IP)			TITLE: Ø3.5 PHONE JACK 4.1H,5P, STD,SUBSIDE1.6			
	UNLESS OTHERWISE SPECIFIED, TOLERANCE: X. ±0.25 X.x ±0.20 X.xx ±0.15 ANGULAR ±3°	DESING CHECKED APPROVED	DATE DATE DATE	PART NO: DA160-K2-01-C	REV: 01	SCALE: 1:1
	DRAWING NO: DA160-K2-01-C	SIZE: A4	SHEET: 2/2			