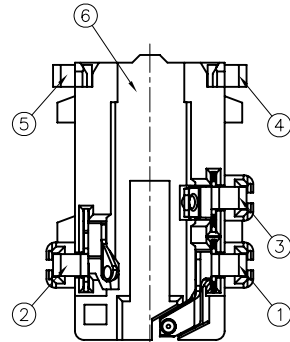
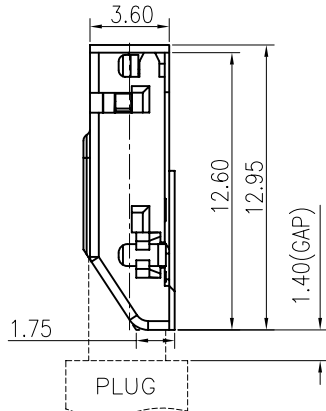
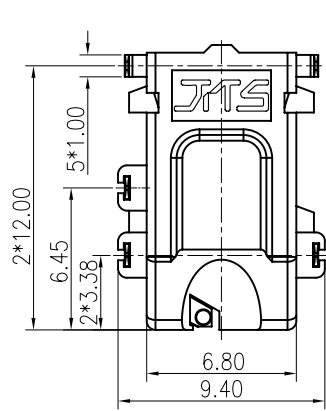
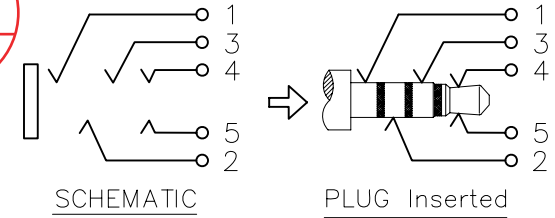


RoHS



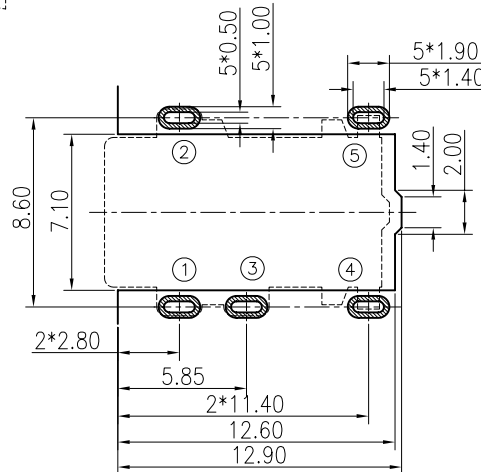
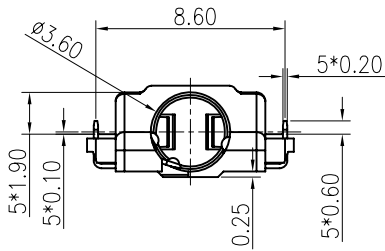
受控文件
2016.03.21
文控中心

REV.	LOCAS.	DESCRIPTION	DRAW.	DATE.
1	NEW	INITIAL RELEASE	Liman.Ji	2016.03.09



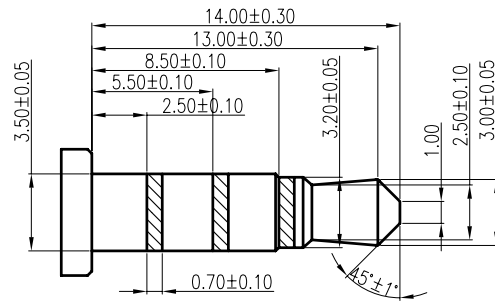
- NOTES:
- MATERIAL:SEE TABLE
 - SPECIALITY:
 - Rated Current:1A
 - Rated Voltage: DC12V
 - Contact Resistance:30mΩ Max
After life test:50mΩ Max
 - Insulation Resistance:100MΩ Min 500V DC
 - Dielectric Withstanding Voltage:500V AC 1MIN
 - Solder Ability:245±5°C;5±0.5s
 - Durability:5000 cycles
 - Operating Condition:Temperature:-30°C~+80°C;
Humidity:80%R.H Max

- MECHANICAL:
 - Insertion Force:30N max
 - Extraction Force:3N min
- Please contact JITS sales representative to verify Product Details & Availability



RECOMMEND PCB LAYOUT TOLERANCE :±0.05

TOP VIEW



PLUG SPEC

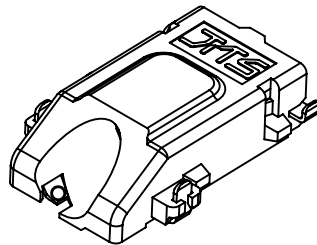


TABLE:

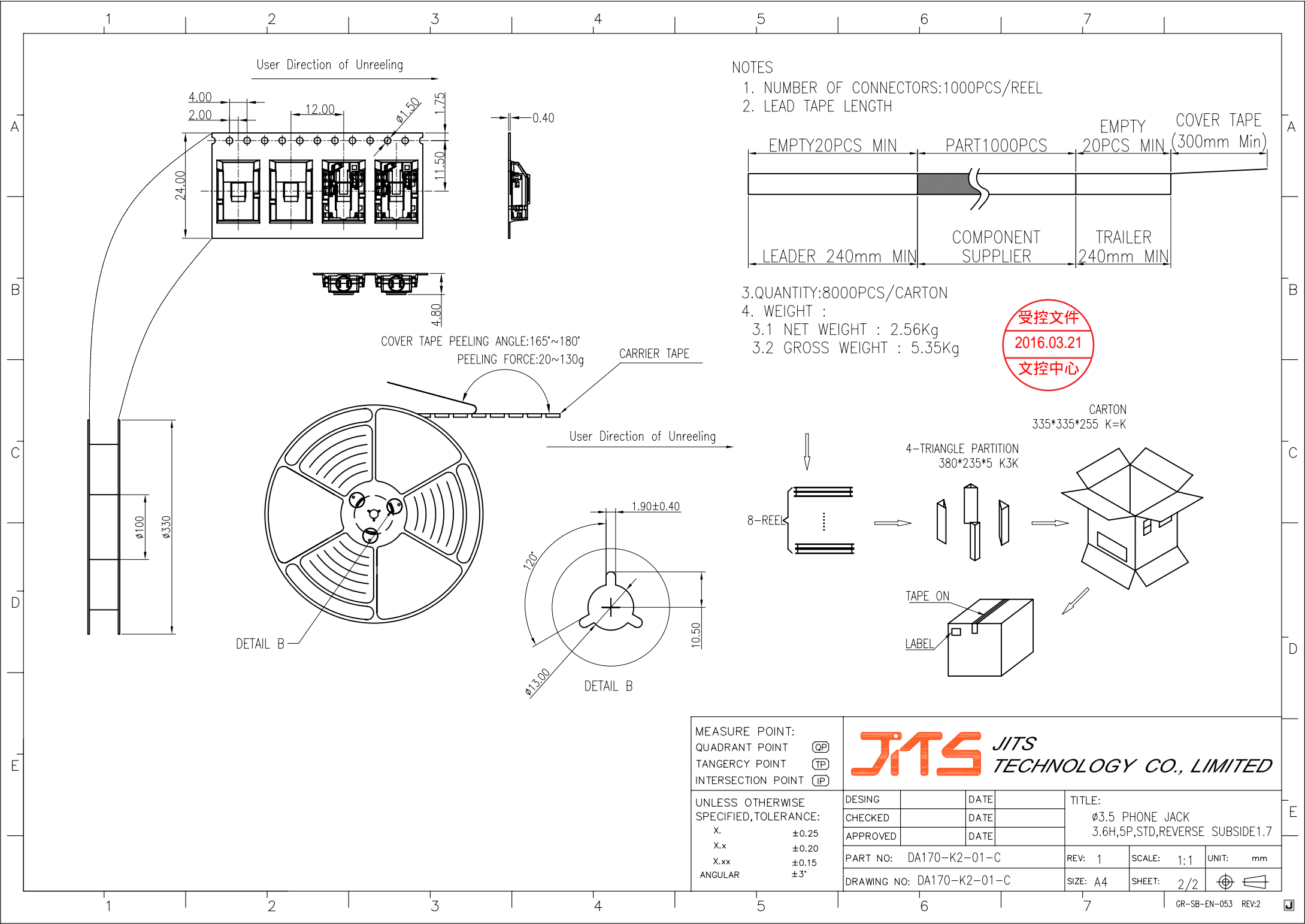
6	Housing	1PC	HIGH TEMPERATURE THERMOPLASTIC	BLACK
5	Terminal 5	1PC	Copper Alloy,T=0.20	Contact Au:2u",solder Au:1u",Ni:60u" min
4	Terminal 4	1PC	Copper Alloy,T=0.20	Contact Au:2u",solder Au:1u",Ni:60u" min
3	Terminal 3	1PC	Copper Alloy,T=0.20	Contact Au:2u",solder Au:1u",Ni:60u" min
2	Terminal 2	1PC	Copper Alloy,T=0.20	Contact Au:2u",solder Au:1u",Ni:60u" min
1	Terminal 1	1PC	Copper Alloy,T=0.20	Contact Au:2u",solder Au:1u",Ni:60u" min
NO	Description	Dosage	Material	Color/solder

MEASURE POINT: (QP)
QUADRANT POINT (QP)
TANGENCY POINT (TP)
INTERSECTION POINT (IP)

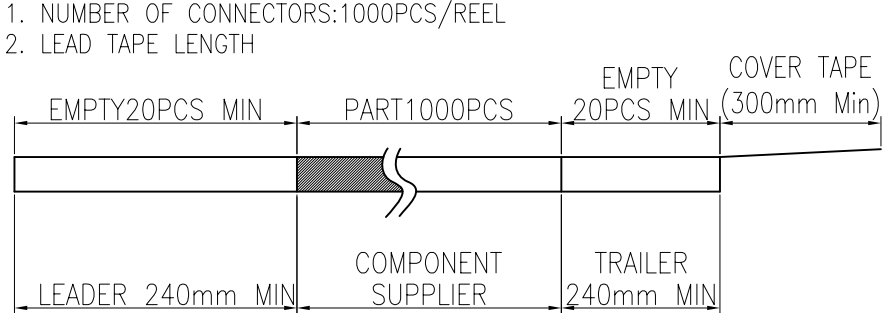
UNLESS OTHERWISE SPECIFIED, TOLERANCE:
X. ±0.25
X.x ±0.20
X.xx ±0.15
ANGULAR ±3°

JITS JITS TECHNOLOGY CO., LIMITED

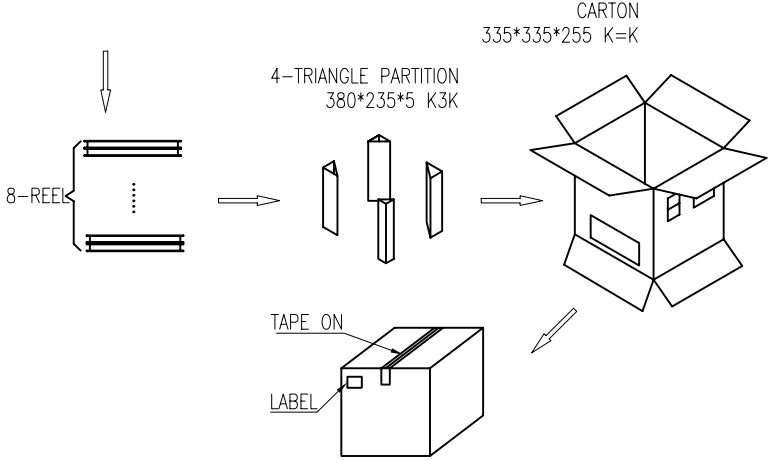
DESIGN	DATE	TITLE:
CHECKED	DATE	ø3.5 PHONE JACK
APPROVED	DATE	3.6H,5P,STD,REVERSE SUBSIDE1.7
PART NO: DA170-K2-01-C	REV: 1	SCALE: 1:1
DRAWING NO: DA170-K2-01-C	SIZE: A4	SHEET: 1/2
	UNIT: mm	



NOTES



3. QUANTITY: 8000PCS/CARTON
 4. WEIGHT :
 3.1 NET WEIGHT : 2.56Kg
 3.2 GROSS WEIGHT : 5.35Kg



MEASURE POINT: QUADRANT POINT (QP) TANGENCY POINT (TP) INTERSECTION POINT (IP)		
	UNLESS OTHERWISE SPECIFIED, TOLERANCE: X. ±0.25 X.X ±0.20 X.XX ±0.15 ANGULAR ±3°	
DESING	DATE	TITLE:
CHECKED	DATE	Ø3.5 PHONE JACK
APPROVED	DATE	3.6H, 5P, STD, REVERSE SUBSIDE 1.7
PART NO: DA170-K2-01-C	REV: 1	SCALE: 1:1
DRAWING NO: DA170-K2-01-C	SIZE: A4	SHEET: 2/2