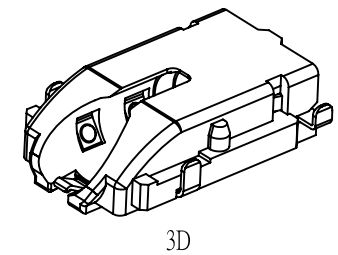
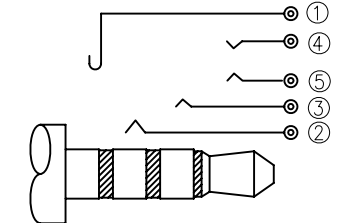


RoHS

受控文件
2016.03.23
文控中心

| REV. | LOCAS. | DESCRIPTION | DRAW. | DATE. |
|------|--------|------------------|----------|------------|
| 2 | | change standoffs | Junly | 2013.07.12 |
| 3 | | Drawing update | Liman.li | 2016.01.22 |

SCHEMATIC



3D

- NOTES:
- MATERIAL:SEE TABLE
 - SPECIALITY:
 - RATED CURRENT:1.0A
 - RATED VOLTAGE:DC12V
 - CONTACT RESISTANCE:30mΩ MAX
AFTER LIFT TEST:50mΩ MAX
 - INSULATION RESISTANCE:100MΩ MIN 500V DC
 - DIELECTRIC WITHSTANDING VOLTAGE: 500V AC.
 - SOLDER ABILITY:245±5°C, 5±0.5S.
 - DURABILITY:5000 CYCLES MIN.
 - OPERATING CONDITION:TEMPERATURE-25°C~+70°C;
HUMIDITY 85% R.H MAX
 - MECHANICAL:
 - Insertion Force:3N Max.
 - Extraction Force:3N Min.
 - PLEASE CONTACT JITS SALES REPRESENTATIVE TO VERIFY PRODUCTDETAILS & AVAILABILITY

TABLE:

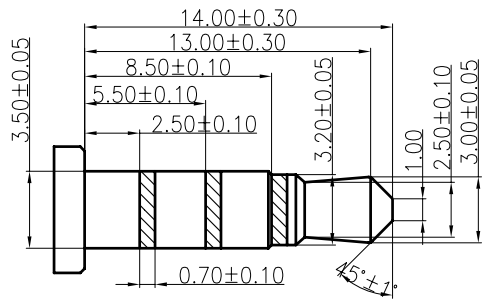
| NO | Description | Dosage | Material | Color/solder |
|----|-------------|--------|--------------------------------|--|
| 6 | Housing | 1PC | High Temperature Thermoplastic | BLACK |
| 5 | Termiral 5 | 1PC | Copper Alloy,T=0.20 | Contact Au: 3u",solder Au:1u",Ni: 60u"min |
| 4 | Termiral 4 | 1PC | Copper Alloy,T=0.20 | Contact Au: 3u",solder Au:1u",Ni: 60u"min |
| 3 | Termiral 3 | 1PC | Copper Alloy,T=0.20 | Contact Au: 3u",solder Au:1u",Ni: 60u",min |
| 2 | Termiral 2 | 1PC | Copper Alloy,T=0.20 | Contact Au: 3u",solder Au:1u",Ni: 60u"min |
| 1 | Termiral 1 | 1PC | Copper Alloy,T=0.20 | Contact Au: 3u",solder Au:1u",Ni: 60u"min |

MEASURE POINT: (QP)
 QUADRANT POINT (QP)
 TANGENCY POINT (TP)
 INTERSECTION POINT (IP)

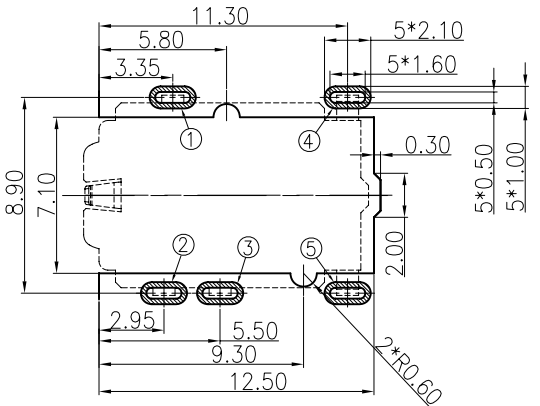
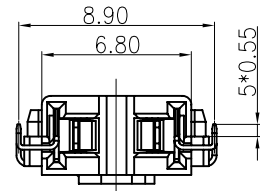
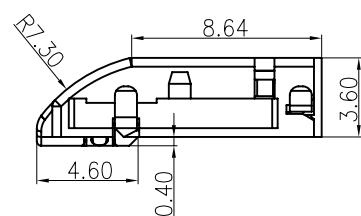
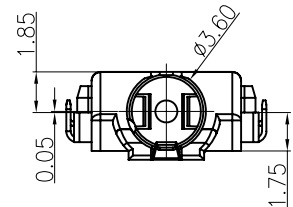
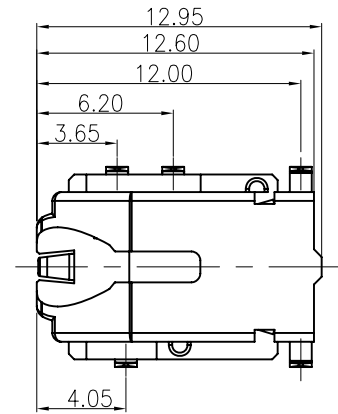


UNLESS OTHERWISE SPECIFIED, TOLERANCE:
 X. ±0.25
 X.x ±0.20
 X.xx ±0.15
 ANGULAR ±3'

| DESING | DATE | TITLE: | | |
|-------------|---------------|-------------------------|------------|----------|
| CHECKED | DATE | ø3.5 PHONE JACK | | |
| APPROVED | DATE | 3.6H,5P,REV,SUBSIDE 1.8 | | |
| PART NO: | DA180-K2-01-A | REV: 3 | SCALE: 1:1 | UNIT: mm |
| DRAWING NO: | DA180-K2-01-A | SIZE: A4 | SHEET: 1/2 | |

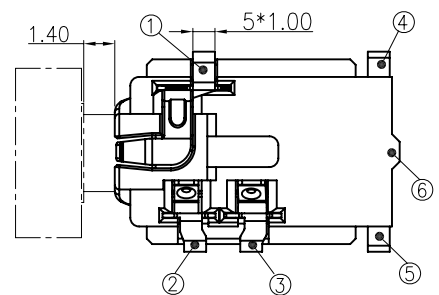


PLUG SPEC



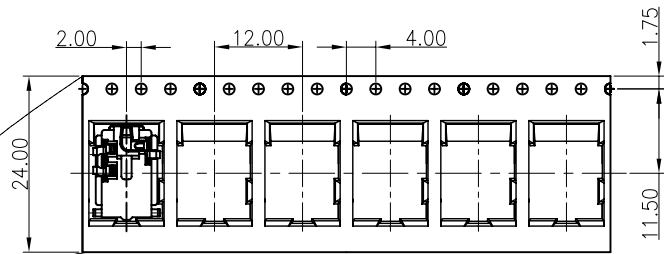
RECOMMEND PCB LAYOUT TOLERANCE: ±0.05

TOP View



RoHS

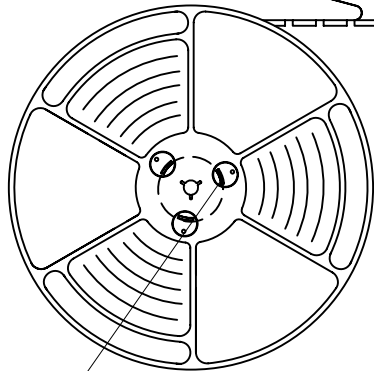
User Direction of Unreeling



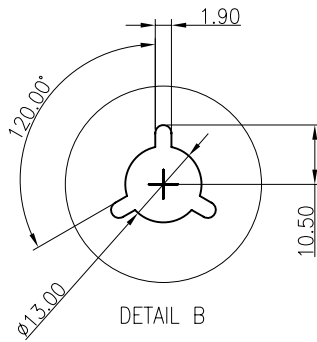
COVER TAPE PEELING ANGLE: 165°~180°
PEELING FORCE: 20~130g

CARRIER TAPE

User Direction of Unreeling



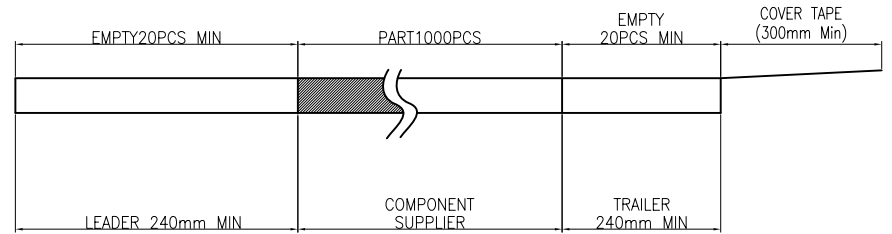
DETAIL B



DETAIL B

NOTES

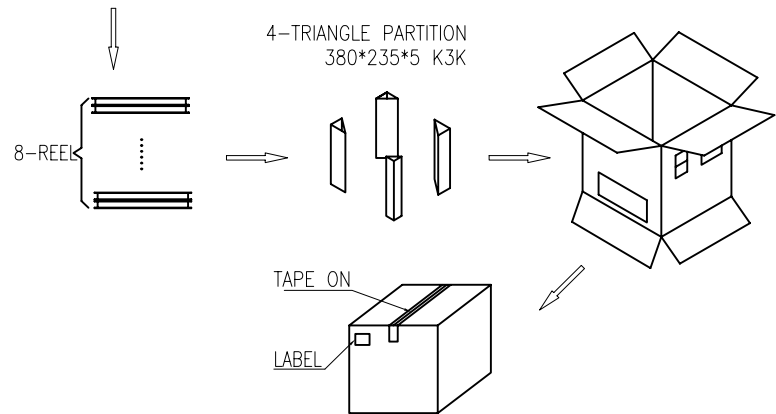
1. NUMBER OF CONNECTORS: 1000PCS/REEL
2. LEAD TAPE LENGTH



3. QUANTITY: 8000PCS/CARTON
4. WEIGHT :
 - 3.1 NET WEIGHT : 2.72KG
 - 3.2 GROSS WEIGHT : 5.3KG

受控文件
2016.03.23
文控中心

CARTON
335*335*255 K=K



MEASURE POINT:
 QUADRANT POINT (QP)
 TANGENCY POINT (TP)
 INTERSECTION POINT (IP)

UNLESS OTHERWISE SPECIFIED, TOLERANCE:
 X. ±0.25
 X.x ±0.20
 X.xx ±0.15
 ANGULAR ±3°

JITS JITS TECHNOLOGY CO., LIMITED

| | | | | |
|---------------------------|----------|---|----------|--|
| DESING | DATE | TITLE: ø3.5 PHONE JACK 3.6H, 5P, REV, SUBSIDE 1.8 | | |
| CHECKED | DATE | | | |
| APPROVED | DATE | | | |
| PART NO: DA180-K2-01-A | REV: 3 | SCALE: 1:1 | UNIT: mm | |
| DRAWING NO: DA180-K2-01-A | SIZE: A4 | SHEET: 2/2 | | |