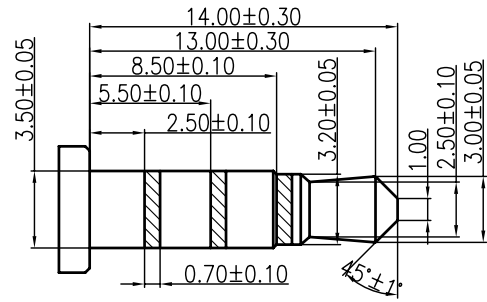
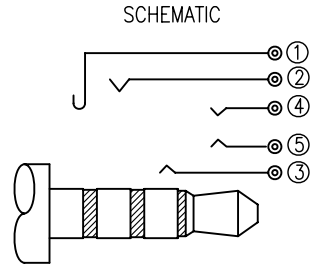
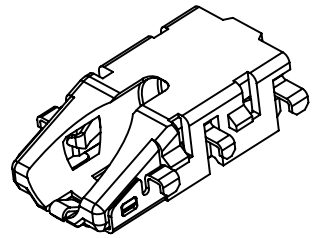


RoHS

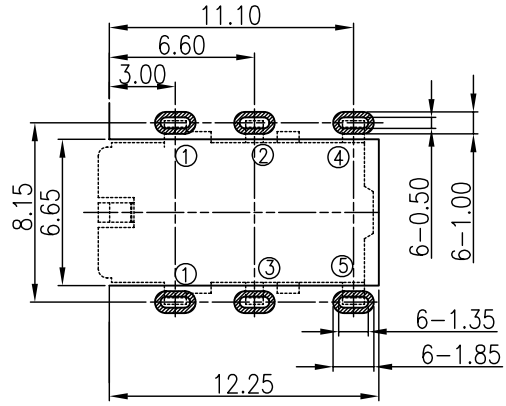
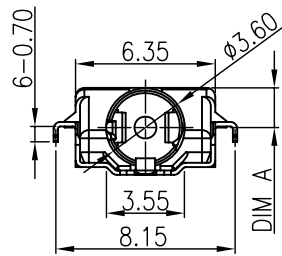
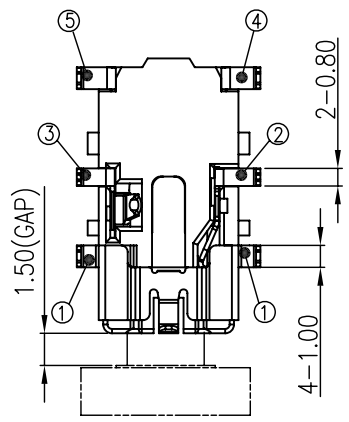
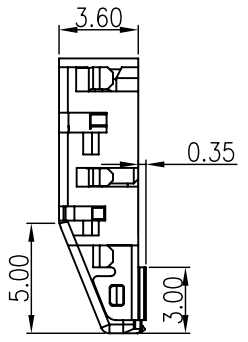
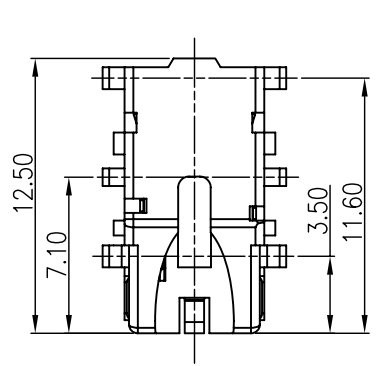
REV.	LOCAS.	DESCRIPTION	DRAW.	DATE.
01	NEW	INITIAL RELEASE.	WEIQG	2014.07.17
02		Update Drawing	WEIQG	2015.12.24



PLUG SPEC



- NOTES:
- MATERIAL:
    - HOUSING:HIGH TEMPERATURE THERMOPLASTIC COLOR BLACK.
    - TERMINAL:COPPER ALLOY.
    - TERMINAL:COPPER ALLOY.
    - TERMINAL:COPPER ALLOY.
    - TERMINAL:COPPER ALLOY.
    - TERMINAL:COPPER ALLOY.
  - SPECIALITY:
    - RATED CURRENT:1.0A
    - RATED VOLTAGE:DC 12V
    - CONTACT RESISTANCE:30mΩ MAX  
AFTER LIFT TEST:50mΩ MAX
    - INSULATION RESISTANCE:100MΩ MIN 500V DC
    - DIELECTRIC WITHSTANDING VOLTAGE: 500V AC.
    - SOLDER ABILITY:250±5°C, 5±0.5S.
    - DURABILITY:5000 CYCLES MIN.
    - OPERATING CONDITION:TEMPERATURE-25°C~+70°C;  
HUMIDITY 85% R.H MAX
  - MECHANICAL:
    - Insertion Force:30N Max.
    - Extraction Force:3N Min.
4. PLEASE CONTACT JITS SALES REPRESENTATIVE TO VERIFY PRODUCTDETAILS & AVAILABILITY



RECOMMEND PCB LAYOUT  
TOLERANCE :±0.05  
TOP View

P/N:	DIM A
DA140-K4-05A	1.40
DA180-K4-01A	1.80
DA220-K4-02A	2.20
DA240-K4-09A	2.40
DA280-K4-06A	2.80

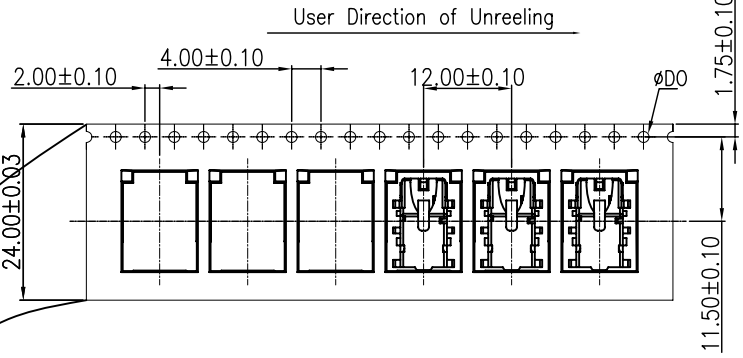
MEASURE POINT:  
 QUADRANT POINT (QP)  
 TANGENCY POINT (TP)  
 INTERSECTION POINT (IP)

UNLESS OTHERWISE SPECIFIED, TOLERANCE:  
 X. ±0.25  
 X.x ±0.20  
 X.xx ±0.15  
 ANGULAR ±3°



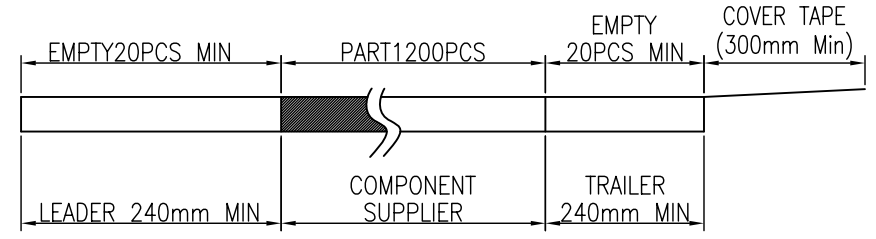
DESING	Gong	DATE	2015.12.24	TITLE:	Ø3.5 PHONE JACK H=3.60MM 5PIN 6DIP TYPE			
CHECKED	Nick.Yu	DATE	2015.12.24					
APPROVED	HaiYong.Luo	DATE	2015.12.24					
PART NO:	DAXXX-K4-XXA		REV:	02	SCALE:	1:1	UNIT:	mm
DRAWING NO:	DA140-K4-05A		SIZE:	A4	SHEET:	1/2		

RoHS



NOTES

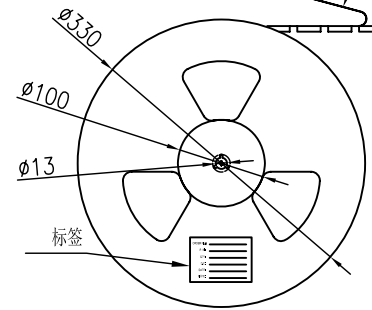
1. NUMBER OF CONNECTORS:1200PCS/REEL
2. LEAD TAPE LENGTH



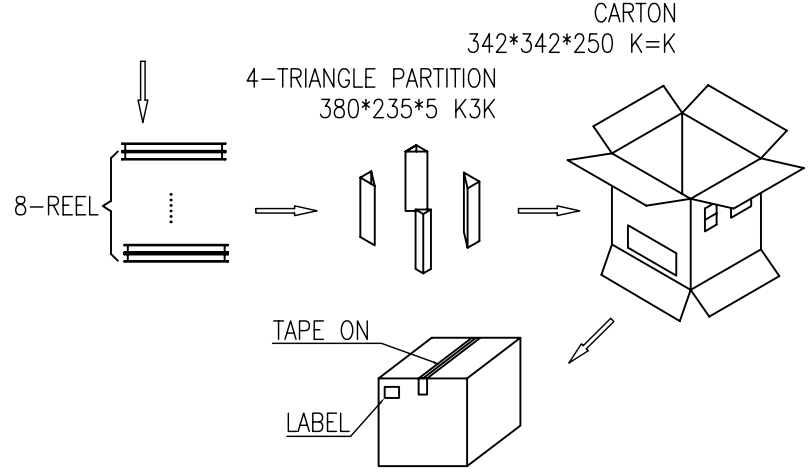
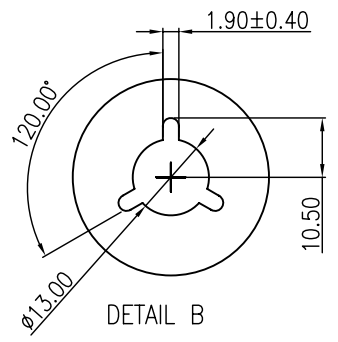
3. QUANTITY:9600CS/CARTON
4. WEIGHT :
  - 3.1 NET WEIGHT : 3.2Kg
  - 3.2 GROSS WEIGHT : 6.1Kg

COVER TAPE PEELING ANGLE:165°~180°  
PEELING FORCE:20~130g

CARRIER TAPE



User Direction of Unreeling



MEASURE POINT:  
QUADRANT POINT (QP)  
TANGENCY POINT (TP)  
INTERSECTION POINT (IP)



UNLESS OTHERWISE SPECIFIED, TOLERANCE:  
X. ±0.25  
X.x ±0.20  
X.xx ±0.15  
ANGULAR ±3°

DESING	Gong	DATE	2015.12.24	TITLE:		
CHECKED	Nick.Yu	DATE	2015.12.24	φ3.5 PHONE JACK H=3.60MM		
APPROVED	HaiYong,Luo	DATE	2015.12.24	5PIN 6DIP TYPE		
PART NO:	DAXXX-K4-XXA		REV:	02	SCALE:	1:1
DRAWING NO:	DA140-K4-05A		SIZE:	A4	SHEET:	2/2
			UNIT:	mm		