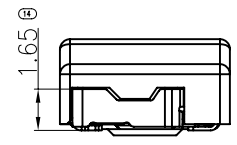
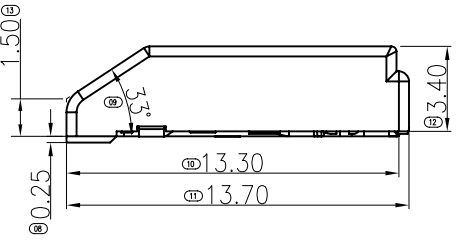
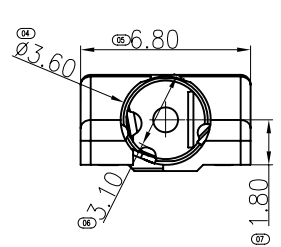
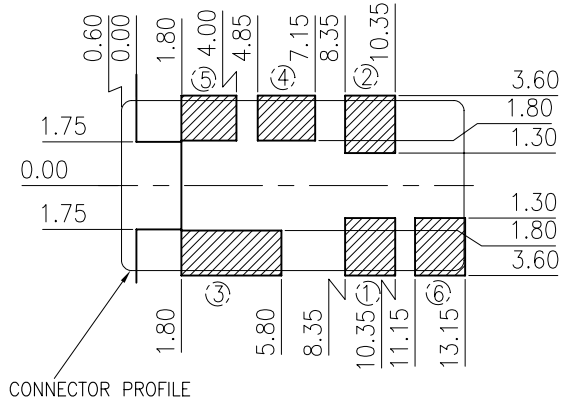
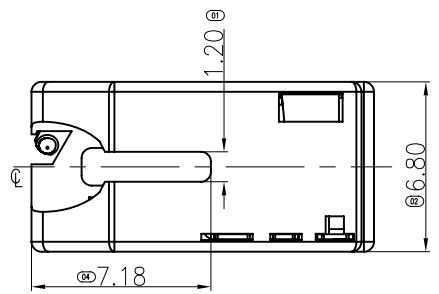


RoHS

REV.	LOCAS.	DESCRIPTION	DRAW.	DATE.
1	New	INITIAL RELEASE.	Liman. Ij	2016. 01. 22

受控文件
 2016.03.18
 文控中心



- NOTES:
- MATERIAL:SEE TABLE
 - SPECIALITY:
 - RATED CURRENT:1.0A
 - RATED VOLTAGE:12V
 - CONTACT RESISTANCE:100mΩ MAX
 - INSULATION RESISTANCE:100MΩ MIN 50V DC
 - DIELECTRIC WITHSTANDING VOLTAGE: 500V AC.
 - SOLDER ABILITY:245±5°C, 5±0.5S.
 - DURABILITY:5000 CYCLES MIN.
 - OPERATING CONDITION:
TEMPERATURE-30°C~+80°C;
HUMIDITY 80% R.H MAX
 - PLEASE CONTACT JITS SALES REPRESENTATIVE TO VERIFY PRODUCTDETAILS & AVAILABILITY
 - PART NO:

SCHMATIC

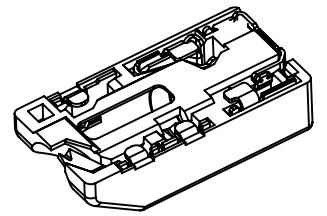
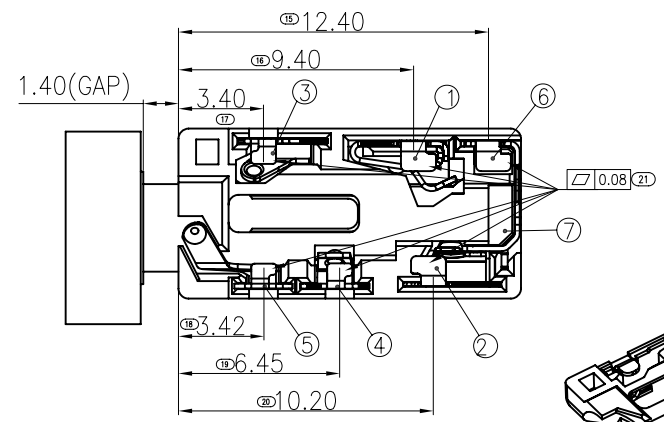
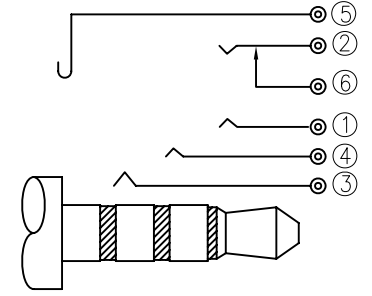


TABLE:

7	Housing	1PC	High Temperature Thermoplastic	BLACK
6	Termiral 6	1PC	Stainless Steel,T=0.20	solder Au:Gold Flash all over,Ni:60u"min
5	Termiral 5	1PC	Copper Alloy,T=0.20	Contact Au:3u",solder Au:1u",Ni:60u"min
4	Termiral 4	1PC	Copper Alloy,T=0.20	Contact Au:3u",solder Au:1u",Ni:60u"min
3	Termiral 3	1PC	Copper Alloy,T=0.20	Contact Au:3u",solder Au:1u",Ni:60u"min
2	Termiral 2	1PC	Stainless Steel,T=0.20	Contact Au:3u",solder Au:1u",Ni:60u"min
1	Termiral 1	1PC	Stainless Steel,T=0.20	Contact Au:3u",solder Au:1u",Ni:60u"min
NO	Description	Dosage	Material	Color/solder

MEASURE POINT: (QP)
 QUADRANT POINT (QP)
 TANGENCY POINT (TP)
 INTERSECTION POINT (IP)

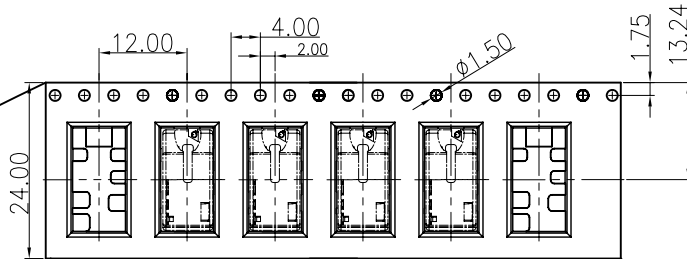
UNLESS OTHERWISE SPECIFIED, TOLERANCE:
 X. ±0.25
 X.x ±0.20
 X.xx ±0.15
 ANGULAR ±3'



DESING	DATE	TITLE:	REV:	SCALE:	UNIT:
CHECKED	DATE	ø3.5 PHONE JACK 3.6H,6P,STD,TOPSIDE	1	1:1	mm
APPROVED	DATE				
PART NO: DA360-E1-02-A		REV: 1	SCALE: 1:1	UNIT: mm	
DRAWING NO: DA360-E1-02-A		SIZE: A4	SHEET: 1/2		

RoHS

User Direction of Unreeling

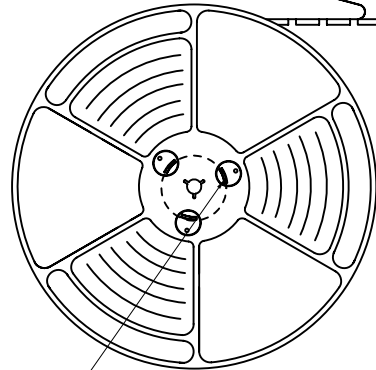


COVER TAPE PEELING ANGLE: 165° ~ 180°

PEELING FORCE: 20 ~ 130g

CARRIER TAPE

User Direction of Unreeling



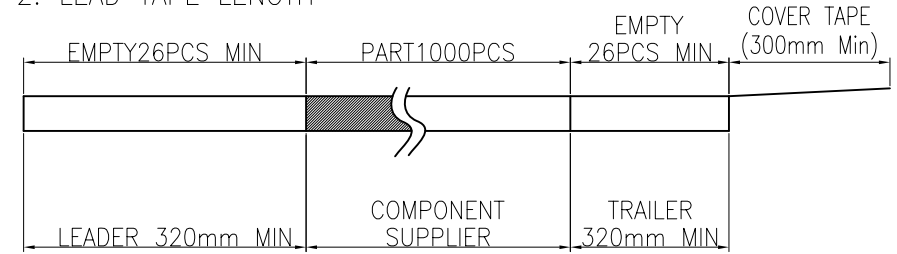
DETAIL B

DETAIL B

NOTES

1. NUMBER OF CONNECTORS: 1000PCS/REEL

2. LEAD TAPE LENGTH



3. QUANTITY: 8000PCS/CARTON

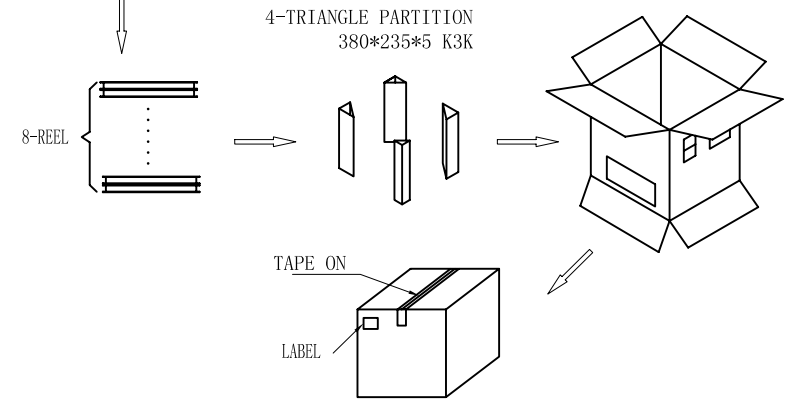
4. WEIGHT :

3.1 NET WEIGHT : 2.72Kg

3.2 GROSS WEIGHT : 5.41Kg

受控文件
2016.03.18
文控中心

CARTON
335*335*255 K=K



MEASURE POINT:
QUADRANT POINT (QP)
TANGENCY POINT (TP)
INTERSECTION POINT (IP)

JTS JITS
TECHNOLOGY CO., LIMITED

UNLESS OTHERWISE SPECIFIED, TOLERANCE:

X. ±0.25
X.x ±0.20
X.xx ±0.15
ANGULAR ±3'

DESING	Liman, li	DATE	2016.01.22	TITLE: Ø3.5 PHONE JACK 3.6H, 6P, STD, TOPSIDE			
CHECKED	Peter	DATE	2016.01.22				
APPROVED	Haiyong, luo	DATE	2016.01.22				
PART NO:	DA360-E1-02-A	REV:	1	SCALE:	1:1	UNIT:	mm
DRAWING NO:	DA360-E1-02-A	SIZE:	A4	SHEET:	2/2		