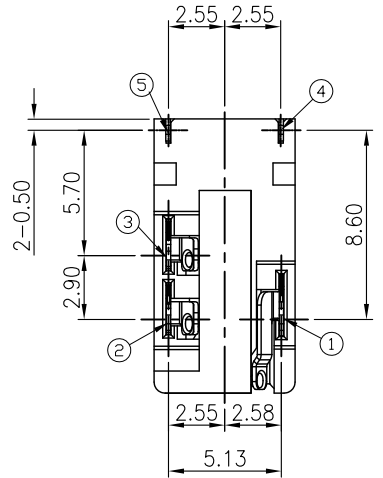
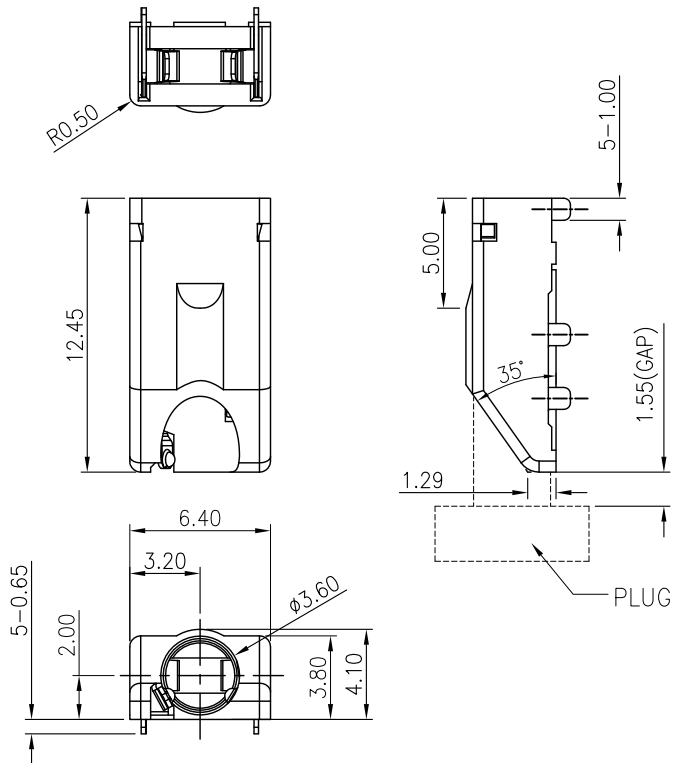
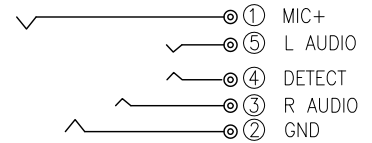


RoHS

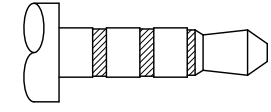
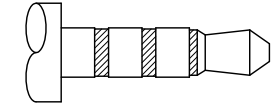
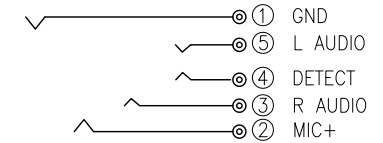
REV.	LOCAS.	DESCRIPTION	DRAW.	DATE.
1	NEW	INITIAL RELEASE.	Wang,Z.K	2014.07.15



SCHEMATIC:U.S.A Spec:

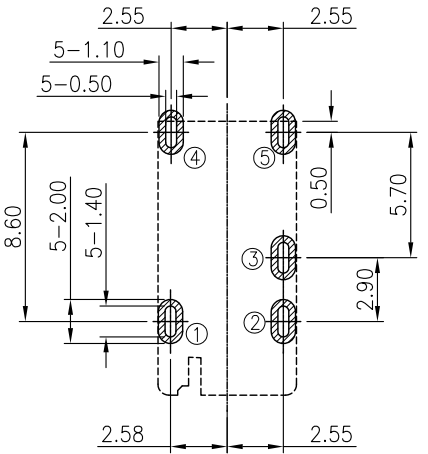
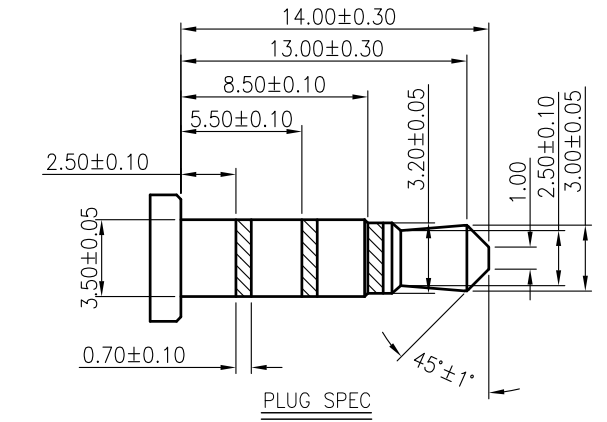


SCHEMATIC:Europe Spec:



NOTES:

1. MATERIAL:
 - 1.1 Housing: High Temperature Thermoplastic, Color:Black
 - 1.2 Terminal 1:Copper Alloy,Gold Flash plating.
 - 1.3 Terminal 2:Copper Alloy,Gold Flash plating.
 - 1.4 Terminal 3:Copper Alloy,Gold Flash plating.
 - 1.5 Terminal 4:Copper Alloy,Gold Flash plating.
 - 1.6 Terminal 5:Copper Alloy,Gold Flash plating.
2. SPECIALITY:
 - 2.1 Rated Current:1A
 - 2.2 Rated Voltage: DC12V
 - 2.3 Contact Resistance:30mΩ Max
After life test:50mΩ Max
 - 2.4 Insulation Resistance:100MΩ Min 500V DC
 - 2.5 Dielectric Withstanding Voltage:500V AC 1MIN
 - 2.6 Solder Ability:250±5°C;5±0.5s
 - 2.7 Durability:5000 cycles
 - 2.8 Operating Condition:Temperature:-30°C~+80°C;
Humidity:80%R.H Max
3. MECHANICAL:
 - 3.1 Insertion Force:30N Max
 - 3.2 Extraction Force:3N Min
4. Please contact JITS sales representative to verify Product Details & Availability

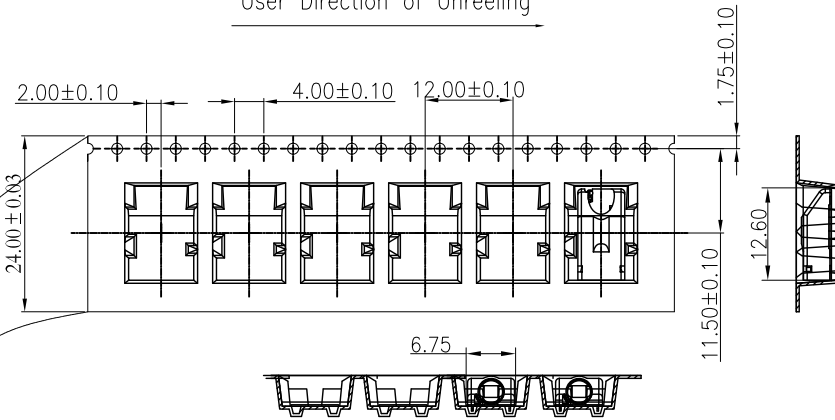


RECOMMEND PCB LAYOUT TOLERANCE :±0.05
TOP View

MEASURE POINT QUADRANT POINT (QP) TANGENCY POINT (TP) INTERSECTION POINT (IP)								
					UNLESS OTHERWISE SPECIFIED, TOLERANCE:	DESING	Wang,Z.K	DATE
X. ±0.25	CHECKED	Harvey.zeng	DATE	2014.07.15	PART NO: DA400-G408A	REV: 1	SCALE: 1:1	UNIT: mm
X.x ±0.20	APPROVED	Haiyong.luo	DATE	2014.07.15		SIZE: A4	SHEET: 1/2	
X.xx ±0.15	DRAWING NO: DA400-G408A							
ANGULAR ±3'								

RoHS

User Direction of Unreeling

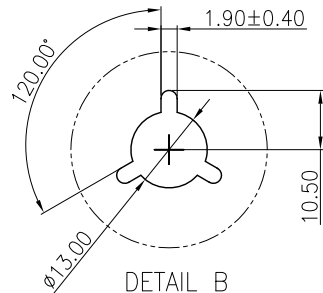
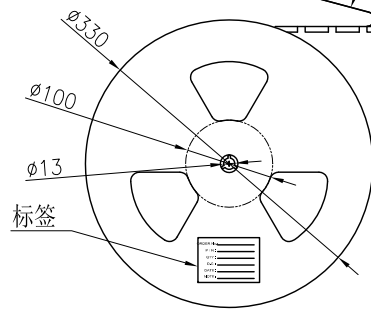


COVER TAPE PEELING ANGLE: 165°~180°

PEELING FORCE: 20~130g

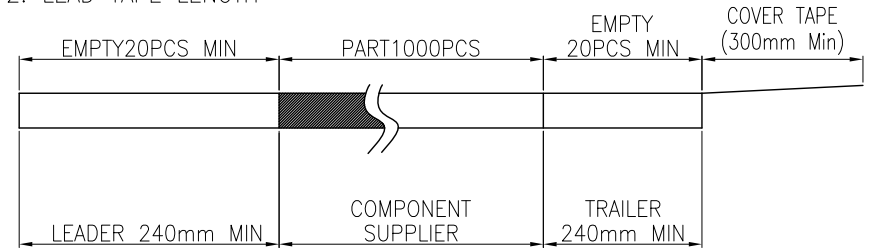
CARRIER TAPE

User Direction of Unreeling



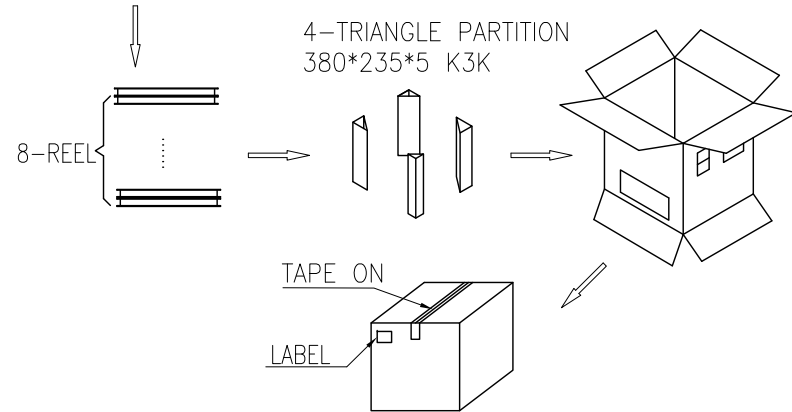
NOTES

1. NUMBER OF CONNECTORS: 1000PCS/REEL
2. LEAD TAPE LENGTH



3. QUANTITY: 8000PCS/CARTON
4. WEIGHT :
 - 4.1 NET WEIGHT : 2.6Kg
 - 4.2 GROSS WEIGHT : 5.5Kg

CARTON
342*342*250 K=K



MEASURE POINT:
 QUADRANT POINT (QP)
 TANGENCY POINT (TP)
 INTERSECTION POINT (IP)

JTS JTS TECHNOLOGY CO., LIMITED

UNLESS OTHERWISE SPECIFIED, TOLERANCE:
 X. ±0.25
 X.x ±0.20
 X.xx ±0.15
 ANGULAR ±3°

DESING	Wang.Z.K	DATE	2014.07.15	TITLE: Ø3.5 PHONE JACK 4.1H 5P,STD,TOPSIDE	
CHECKED	Harvey.zeng	DATE	2014.07.15		
APPROVED	Haiyong.luo	DATE	2014.07.15		
PART NO: DA400-G408A			REV: 1	SCALE: 1:1	UNIT: mm
DRAWING NO: DA400-G408A			SIZE: A4	SHEET: 2/2	