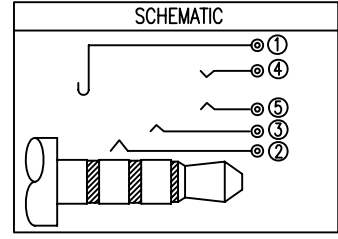
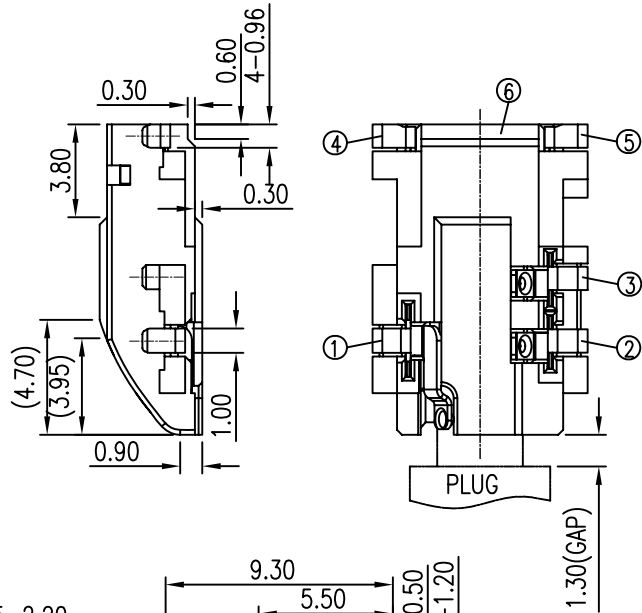
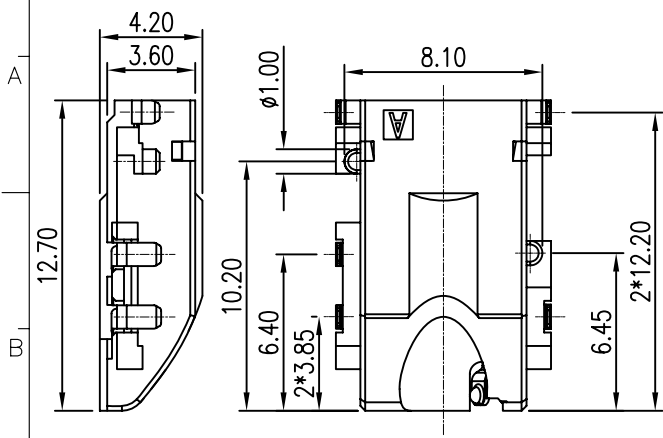


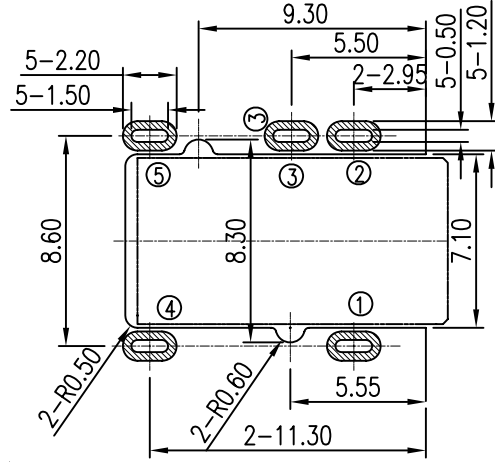
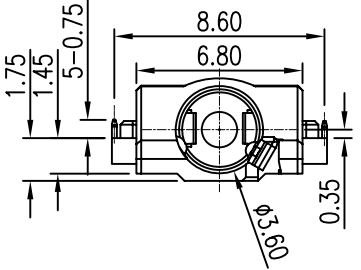
RoHS

REV.	LOCAS.	DESCRIPTION	DRAW.	DATE.
1	NEW	INITIAL RELEASE.	WEIQG	20140729
2		ECN-1508015	CMY	20150817
3		Update Drawing	Sunny	20160122



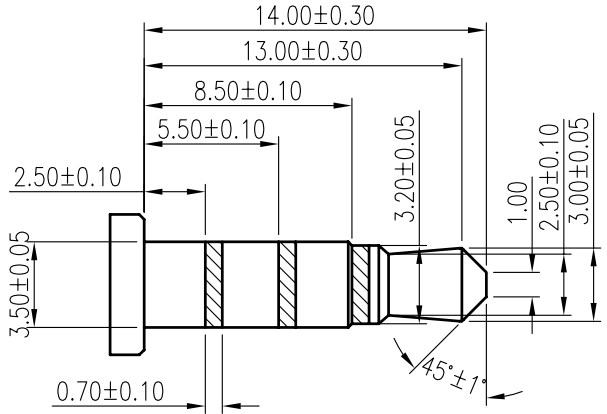
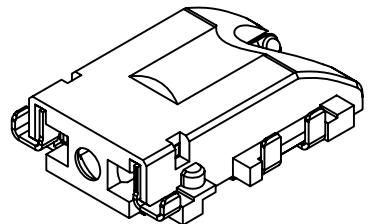
- NOTES:
- MATERIAL:SEE TABLE
  - SPECIALITY:
    - Rated Current:1A
    - Rated Voltage: DC12V
    - Contact Resistance:30mΩ Max  
After life test:50mΩ Max
    - Insulation Resistance:100MΩ Min 500V DC
    - Dielectric Withstanding Voltage:500V AC 1MIN
    - Solder Ability:245±5°C;5±0.5s
    - Durability:5000 cycles
    - Operating Condition:Temperature:-30°C~+80°C;  
Humidity:80%R.H Max

- MECHANICAL:
  - Insertion Force:3-30N
  - Extraction Force:3-30N
- Please contact JITS sales representative to verify Product Details & Availability



RECOMMEND PCB LAYOUT TOLERANCE :±0.05

TOP View



PLUG SPEC

NO	Description	Dosage	Material	Color/solder
6	Housing	1PC	HIGH TEMPERATURE THERMOPLASTIC	BLACK
5	Terminal 5	1PC	COPPER ALLOY,T=0.20mm	Contact Au: G/F,solderAu: G/F,Ni: 60u"m
4	Terminal 4	1PC	COPPER ALLOY,T=0.20mm	Contact Au: G/F,solderAu: G/F,Ni: 60u"m
3	Terminal 3	1PC	COPPER ALLOY,T=0.20mm	Contact Au: G/F,solderAu: G/F,Ni: 60u"m
2	Terminal 2	1PC	COPPER ALLOY,T=0.20mm	Contact Au: G/F,solderAu: G/F,Ni: 60u"m
1	Terminal 1	1PC	COPPER ALLOY,T=0.20mm	Contact Au: G/F,solderAu: G/F,Ni: 60u"m

MEASURE POINT:  
 QUADRANT POINT (QP)  
 TANGENCY POINT (TP)  
 INTERSECTION POINT (IP)

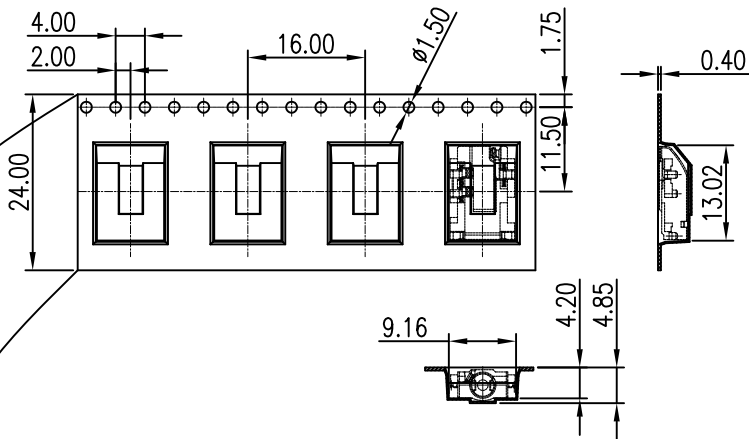


UNLESS OTHERWISE SPECIFIED, TOLERANCE:  
 X. ±0.25  
 X.x ±0.20  
 X.xx ±0.15  
 ANGULAR ±3'

DESIGN	DATE	TITLE:			
CHECKED	DATE	Ø3.5 PHONE JACK			
APPROVED	DATE	4.2H,5P,STD,REVERSE SUBSIDE2.45			
PART NO: DA420-G509A	REV: 03	SCALE: 1:1	UNIT: mm		
DRAWING NO: DA420-G509A	SIZE: A4	SHEET: 1/2			

RoHS

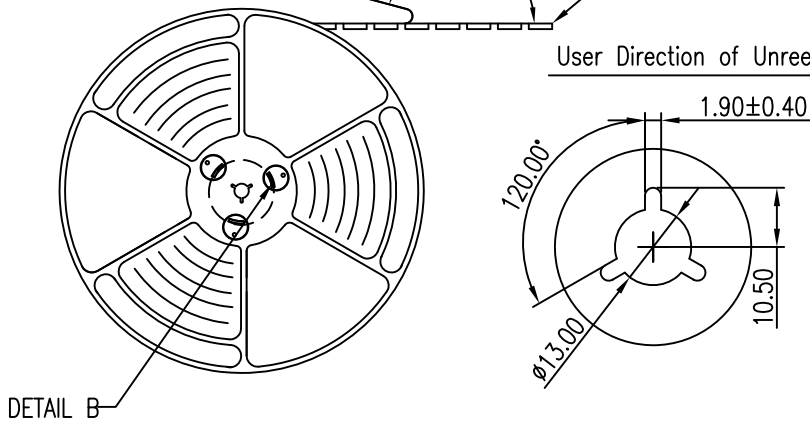
User Direction of Unreeling



COVER TAPE PEELING ANGLE: 165°~180°  
PEELING FORCE: 20~130g

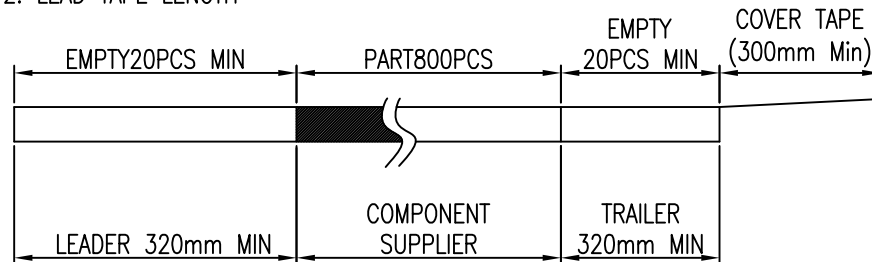
CARRIER TAPE

User Direction of Unreeling



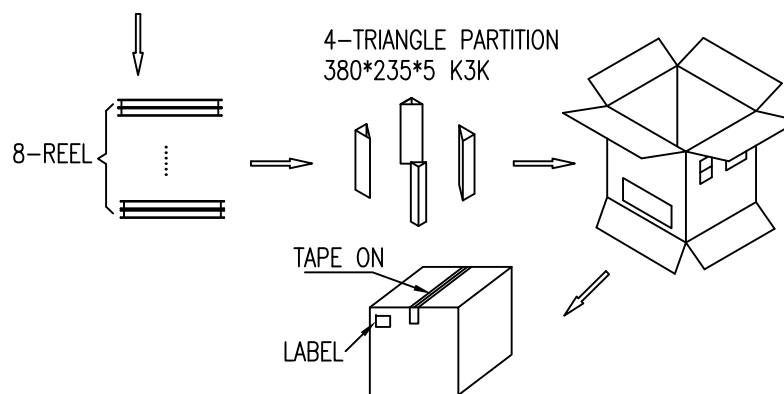
NOTES

- 1. NUMBER OF CONNECTORS: 800PCS/REEL
- 2. LEAD TAPE LENGTH



- 3. QUANTITY: 6400PCS/CARTON
- 4. WEIGHT :
  - 3.1 NET WEIGHT : 2.2Kg
  - 3.2 GROSS WEIGHT : 4.7Kg

CARTON  
335\*335\*255 K=K



MEASURE POINT:  
QUADRANT POINT (QP)  
TANGENCY POINT (TP)  
INTERSECTION POINT (IP)

**JTS** JITS  
TECHNOLOGY CO., LIMITED

UNLESS OTHERWISE SPECIFIED, TOLERANCE:  
X. ±0.25  
X.x ±0.20  
X.xx ±0.15  
ANGULAR ±3°

DESIGN	Sunny	DATE	20160122	TITLE:	ø3.5 PHONE JACK		
CHECKED	Petry	DATE	20160122		4.2H, 5P, STD, REVERSE SUBSIDE 2.45		
APPROVED	Haiyong Luo	DATE	20160122				
PART NO:	DA420-G509A	REV:	03	SCALE:	1:1	UNIT:	mm
DRAWING NO:	DA420-G509A	SIZE:	A4	SHEET:	2/2		