

受控文件
 2016.03.17
 文控中心

REV.	LOCAS.	DESCRIPTION	DRAW.	DATE.
02	NEW	N01210001	JACK	2013.10.25
03		ECN-1406007	petry	2014.06.16
04		Update Drawing	Liman.li	2016.01.22

NOTES:

- 1.MATERIAL:SEE TABLE
- 2.SPECIALITY:
 - 2.1 Rated Current:1A
 - 2.2 Rated Voltage:12V
 - 2.3 Contact Resistance:50mΩ Max
 - 2.4 Insulation Resistance:100MΩ Min 100V DC
 - 2.5 Dielectric Withstanding Voltage:100V AC
 - 2.6 Solder Ability:245±5°C;5±0.5s
 - 2.7 Durability:5000 cycles
 - 2.8 Operating Condition:Temperature:-30°C~+80°C; Humidity:80%R.H Max
3. MECHANICAL:
 - 3.1 Insertion Force:30N max
 - 3.2 Extraction Force:3N min
4. Please contact JITS sales representative to verify Product Details & Availability

RECOMMENDED PLUG
 ø3.5 4-POLE STANDARD PLUG

TABLE:

NO	Description	Dosage	Material	Color/solder
6	Housing	1PC	High Temperature Thermoplastic	BLACK
5	Termiral 5	1PC	Copper Alloy,T=0.20	Contact Au: 2u",solder Au:1u",Ni: 60u"min
4	Termiral 4	1PC	Copper Alloy,T=0.20	Contact Au: 2u",solder Au:1u",Ni: 60u"min
3	Termiral 3	1PC	Copper Alloy,T=0.20	Contact Au: 2u",solder Au:1u",Ni: 60u"min
2	Termiral 2	1PC	Copper Alloy,T=0.20	Contact Au: 2u",solder Au:1u",Ni: 60u"min
1	Termiral 1	1PC	Copper Alloy,T=0.20	Contact :all over Au 1u",Ni: 60u"min

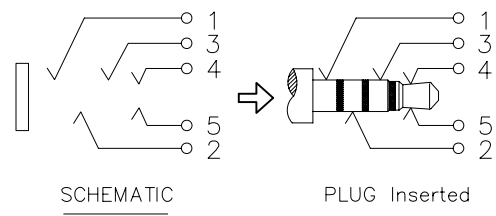
MEASURE POINT:
 QUADRANT POINT (QP)
 TANGENCY POINT (TP)
 INTERSECTION POINT (IP)



UNLESS OTHERWISE SPECIFIED,TOLERANCE:
 X. ±0.25
 X.x ±0.20
 X.xx ±0.15
 ANGULAR ±3'

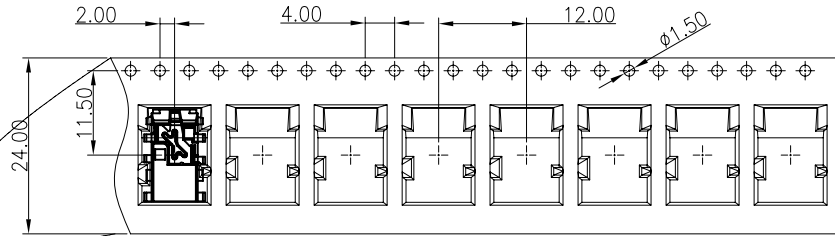
DESING	DATE	TITLE:
CHECKED	DATE	ø3.5 PHONE JACK SUBSIDE 2.80mm L=12.50mm SMT TYPE
APPROVED	DATE	
PART NO: DA0635180-1208-0	REV: 04	SCALE: 1:1
DRAWING NO: DA0635180-1208-0	SIZE: A4	SHEET: 1/2

PCB HOLES(TOP VIEW) t=0.8mm
 NOTE: GENERAL TOLERANCE: ±0.05mm



RoHS

User Direction of Unreeling

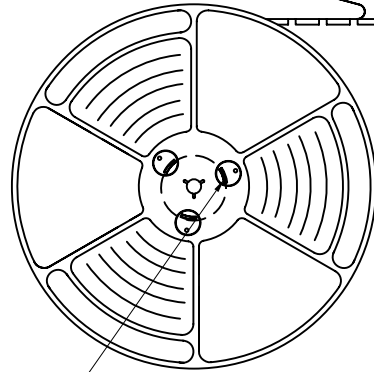


COVER TAPE PEELING ANGLE: 165°~180°

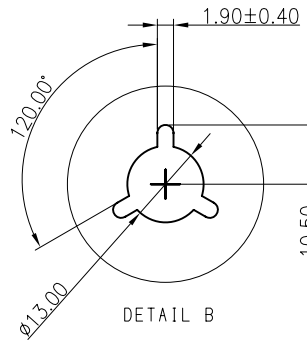
PEELING FORCE: 20~130g

CARRIER TAPE

User Direction of Unreeling



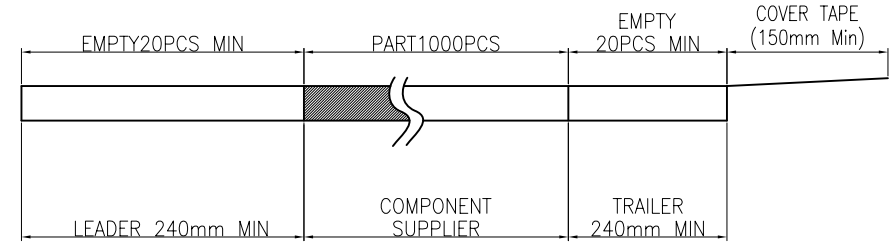
DETAIL B



DETAIL B

NOTES

1. NUMBER OF CONNECTORS: 1000PCS/REEL
2. LEAD TAPE LENGTH



3. QUANTITY: 8000PCS/CARTON

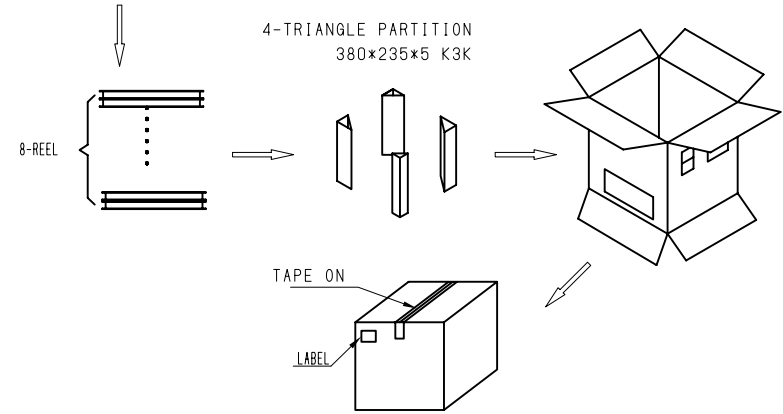
4. WEIGHT :

3.1 NET WEIGHT : 2.8Kg

3.2 GROSS WEIGHT : 5.7Kg



CARTON
335*335*255 K=K



MEASURE POINT:
 QUADRANT POINT (QP)
 TANGENCY POINT (TP)
 INTERSECTION POINT (IP)

UNLESS OTHERWISE SPECIFIED, TOLERANCE:
 X. ±0.25
 X.X ±0.20
 X.XX ±0.15
 ANGULAR ±3°



DESIGN	DATE	TITLE:		
CHECKED	DATE	#3.5 PHONE JACK SUBSIDE		
APPROVED	DATE	2.80mm L=12.50mm SMT TYPE		
PART NO:	DA0635180-1208-D	REV:	04	SCALE: 1:1
DRAWING NO:	DA0635180-1208-D	UNIT:	mm	
		SIZE:	A4	SHEET: 2/2