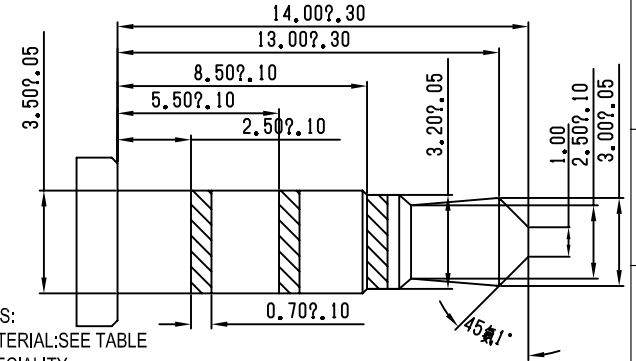


| REV. | LOCAS. | DESCRIPTION    | DRAW.     | DATE.      |
|------|--------|----------------|-----------|------------|
| 1    |        | ECN-1405041    | petry     | 20140530   |
| 2    |        | Update Drawing | Liman. li | 2016.01.22 |



**NOTES:**

1. MATERIAL:SEE TABLE
2. SPECIALITY:
  - 2.1 Rated current:1A
  - 2.2 Rated voltage:12V
  - 2.3 Contact Resistance:50mΩ MAX
  - 2.4 Insulation Resistance:100MΩ MIN 100V DC
  - 2.5 Dielectric withstanding voltage: 100V AC.
  - 2.6 Solderability:245±5°C, 5±0.5s.
  - 2.7 Durability:5000 Cycles Min.
  - 2.8 Operating condition:Temperature:-30°C~+80°C; Humidity:80%R.H MAX
3. MECHANICAL:
  - 3.1 Insertion Force:30N max
  - 3.2 Extraction Force:3N min
4. Please contact JITS sales representative to verify Product Details & Availability

**PLUG SPEC**



**TABLE:**

| NO | Description | Dosage | Material                       | Color/solder                           |
|----|-------------|--------|--------------------------------|--|
| 6  | Housing     | 1PC    | High Temperature Thermoplastic | BLACK                                  |
| 5  | Termiral 5  | 1PC    | Copper Alloy,T=0.20            | Contact Au:2u",solderAu:1u",Ni:60u"min |
| 4  | Termiral 4  | 1PC    | Copper Alloy,T=0.20            | Contact Au:2u",solderAu:1u",Ni:60u"min |
| 3  | Termiral 3  | 1PC    | Copper Alloy,T=0.20            | Contact Au:2u",solderAu:1u",Ni:60u"min |
| 2  | Termiral 2  | 1PC    | Copper Alloy,T=0.20            | Contact Au:2u",solderAu:1u",Ni:60u"min |
| 1  | Termiral 1  | 1PC    | Copper Alloy,T=0.20            | solderAu:1u" all over,Ni:60u"min       |

MEASURE POINT: (QP)  
 QUADRANT POINT (QP)  
 TANGENCY POINT (TP)  
 INTERSECTION POINT (IP)

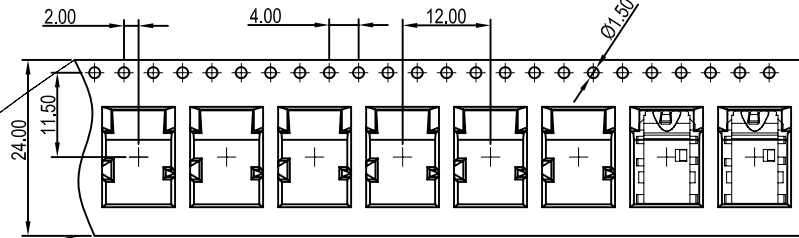
UNLESS OTHERWISE SPECIFIED, TOLERANCE:  
 X. ±0.25  
 X.x ±0.20  
 X.xx ±0.15  
 ANGULAR ±3'



| DESING                       | DATE     | TITLE:                    |
|------------------------------|----------|---------------------------|
| CHECKED                      | DATE     | Ø3.5 PHONE JACK SUBSIDE   |
| APPROVED                     | DATE     | 1.40mm L=12.60mm SMT TYPE |
| PART NO: DA0635380-1207-A    | REV: 2   | SCALE: 4:1                |
| DRAWING NO: DA0635380-1207-A | SIZE: A4 | SHEET: 1/2                |

RoHS

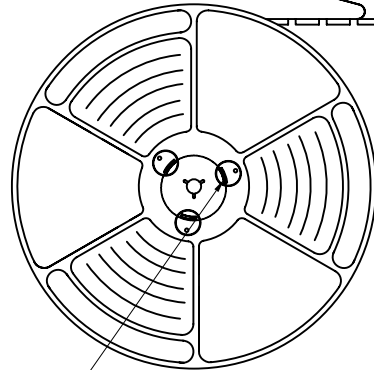
User Direction of Unreeling



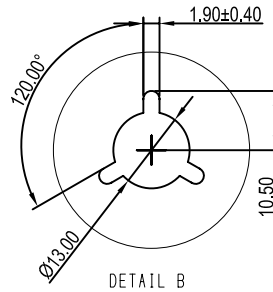
COVER TAPE PEELING ANGLE: 165°~180°  
PEELING FORCE: 20~130g

CARRIER TAPE

User Direction of Unreeling



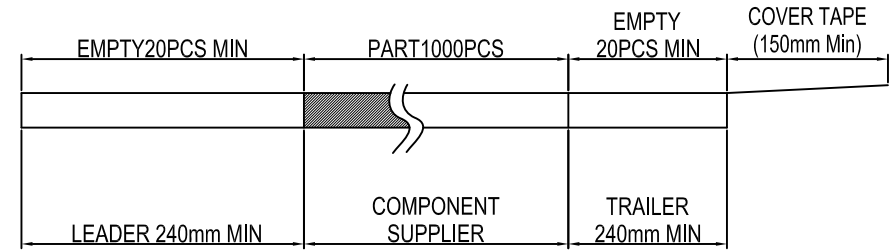
DETAIL B



DETAIL B

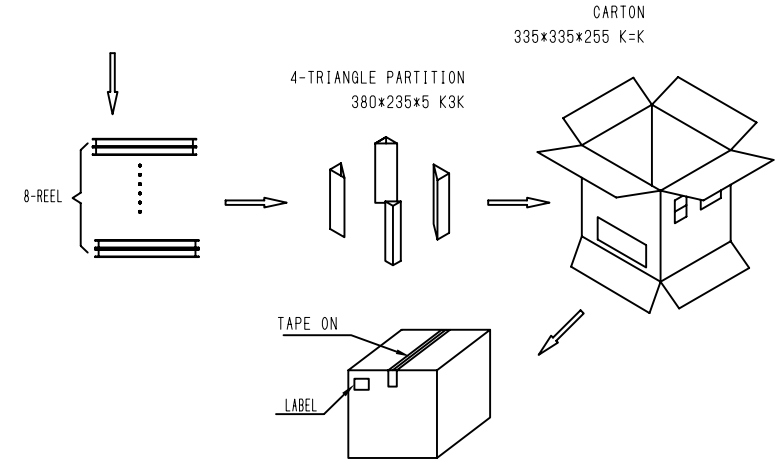
NOTES

1. NUMBER OF CONNECTORS: 1000PCS/REEL
2. LEAD TAPE LENGTH



3. QUANTITY: 8000PCS/CARTON
4. WEIGHT :
  - 3.1 NET WEIGHT : 3.2Kg
  - 3.2 GROSS WEIGHT : 6.1Kg

受控文件  
2016.03.18  
文控中心



MEASURE POINT:  
 QUADRANT POINT (QP)  
 TANGENCY POINT (TP)  
 INTERSECTION POINT (IP)

UNLESS OTHERWISE SPECIFIED, TOLERANCE:  
 X. ±0.25  
 X.x ±0.20  
 X.xx ±0.15  
 ANGULAR ±3°

**JTS** JITS TECHNOLOGY CO., LIMITED

|                              |          |   |          |  |
|------------------------------|----------|---|----------|--|
| DESIGN                       | DATE     | TITLE: Ø3.5 PHONE JACK SUBSIDE<br>1.40mm L=12.60mm SMT TYPE |          |  |
| CHECKED                      | DATE     |   |          |  |
| APPROVED                     | DATE     |   |          |  |
| PART NO: DA0635380-1207-A    | REV: 2   | SCALE: 1:1  | UNIT: mm |  |
| DRAWING NO: DA0635380-1207-A | SIZE: A4 | SHEET: 2/2  |          |  |