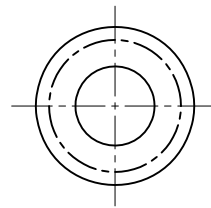
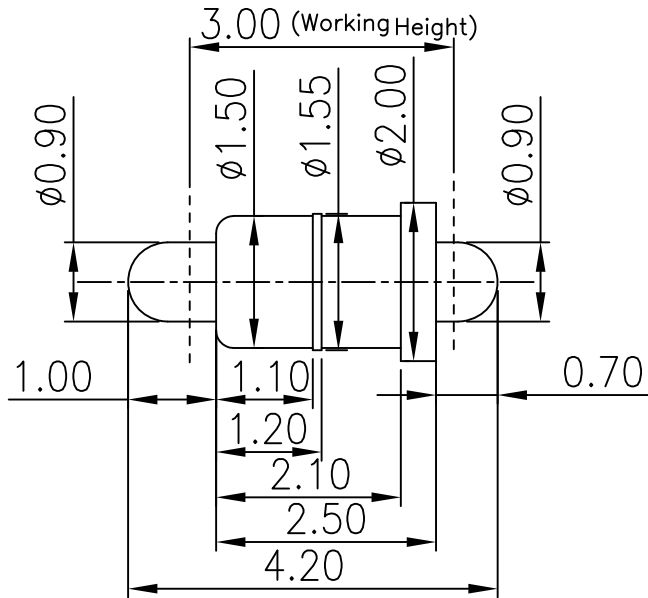


RoHS

REV.	LOCAS.	DESCRIPTION	DRAW.	DATE.
01	NEW	INITIAL RELEASE.	Junly	2009.06.18



NOTES:

1. MATERIAL:

- 1.1 Plunger: Brass C3604
- 1.2 Barrel: Brass C3604
- 1.3 Spring: SUS 304
- 1.4 Plating: Plating Au 1u" all area.

2. SPECIALITY:

- 2.1 Rated current: 2.0 Amps
- 2.2 Rated voltage: 12VAC (rms) / DC
- 2.3 Contact Resistance: 50Milliohms Max.
- 2.4 Insulation Resistance: 100 Megohms Min.
- 2.5 Dielectric withstanding voltage: 100V AC.
- 2.6 Durability: 20000 Times.
- 2.7 Operating condition: Temperature -20°C ~ +70°C;
- 2.8 Spring force: 120g ± 20gkf
- 2.9 Full stroke: 2.0 mm

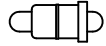
Ordering Code

P A 01 15 042 -1 2 02 -A  
 ① ② ③ ④ ⑤ ⑥ ⑦ ⑧ ⑨

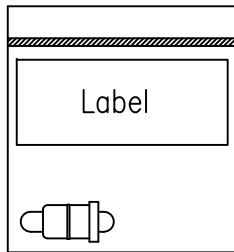
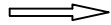
- ① POGO PIN SERIES
- ② FINISHED PRODUCT
- ③ PIN NO. 01 PIN
- ④  $\phi$ 1.50mm
- ⑤ 042 LENGTH 4.20mm
- ⑥ PLATING NUMBER:
- ⑦ WITHOUT POST
- ⑧  $\phi$ 1.50mm TYPE
- ⑨ RUNNING NUMBER:

MEASURE POINT: QUADRANT POINT (QP) TANGENCY POINT (TP) INTERSECTION POINT (IP)	<b>JTS</b> JITS TECHNOLOGY CO., LIMITED					
UNLESS OTHERWISE SPECIFIED, TOLERANCE: X. ±0.25 X.x ±0.20 X.xx ±0.15 ANGULAR ±3'	DESING	Jeff	DATE	2016.05.06	TITLE: POGO PIN $\phi$ 1.50mm L=4.20mm CONN	
	CHECKED	Jeff	DATE	2016.05.06		
APPROVED	Junly	DATE	2016.05.06			
	PART NO:	PA0115042-1202-A	REV:	02	SCALE: 12:1	UNIT: mm
	DRAWING NO:	PA0115042-1202-A	SIZE:	A4	SHEET: 1/2	

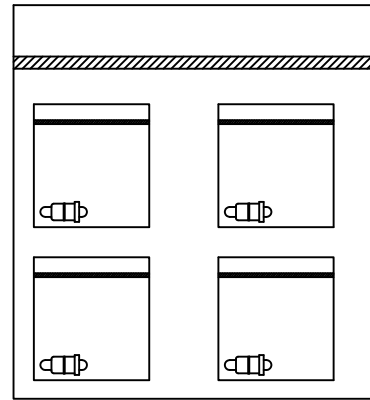
RoHS



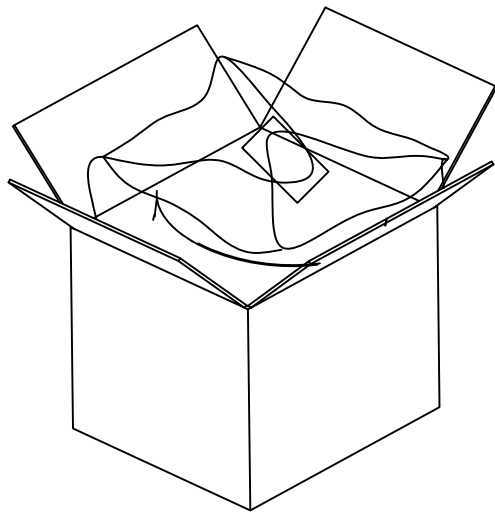
Pogo Pin Connector



Innter Bag  
2000PCS/Bag



Outer Bag  
2000\*50=100,000PCS

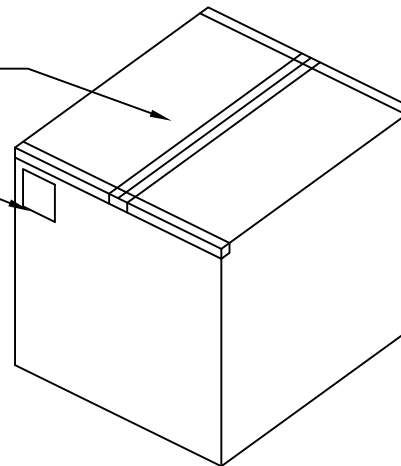


100,000PCS/CARTON



TAPE ON

Label



PACKING:  
1500 PCS/Bag,50 Bag/CARTON ◦ (100000PCS/CARTON)

MEASURE POINT:  
QUADRANT POINT (QP)  
TANGENCY POINT (TP)  
INTERSECTION POINT (IP)

UNLESS OTHERWISE  
SPECIFIED,TOLERANCE:  
X. ±0.25  
X.x ±0.20  
X.xx ±0.15  
ANGULAR ±3'



DESING Jeff DATE 2016.05.06  
CHECKED Jeff DATE 2016.05.06  
APPROVED Junly DATE 2016.05.06

TITLE:  
POGO PIN  $\phi$ 1.50mm  
L=4.20mm CONN

PART NO: PA0115042-1202-A REV: 02 SCALE: 12:1 UNIT: mm  
DRAWING NO: PA0115042-1202-A SIZE: A4 SHEET: 2/2