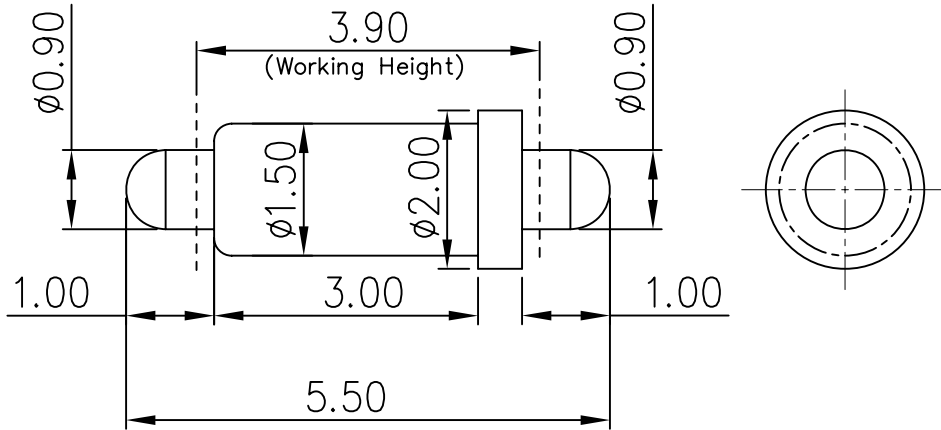


RoHS

REV.	LOCAS.	DESCRIPTION	DRAW.	DATE.
01	NEW	INITIAL RELEASE.	Junly	2011.12.09



NOTES:

1. MATERIAL:
 - 1.1 Plunger: Brass C3604
 - 1.2 Barrel: Brass C3604
 - 1.3 Spring: SUS 304
2. SPECIALITY:
 - 2.1 Rated current: 2.0 Amps
 - 2.2 Rated voltage: 12VAC (rms) /DC
 - 2.3 Contact Resistance: 50Milliohms Max.
 - 2.4 Insulation Resistance: 100 Megohms Min.
 - 2.5 Dielectric withstanding voltage: 100V AC.
 - 2.6 Durability: 20000 Times.
 - 2.7 Operating condition: Temperature -20°C ~ +70°C;
 - 2.8 Spring force: 120g±20gkf
 - 2.9 Full stroke: 2.0 mm

Ordering Code

P A 01 15 055 -1 2 02 -A
 ① ② ③ ④ ⑤ ⑥ ⑦ ⑧ ⑨

- | | |
|---------------------|----------------------|
| ① POGO PIN SERIES | ② FINISHED PRODUCT |
| ③ PIN NO. 01 PIN | ④ ϕ 1.50mm |
| ⑤ 055 LENGTH 5.50mm | ⑥ PLATING NUMBER: |
| ⑦ WITHOUT POST | ⑧ ϕ 1.50mm TYPE |
| ⑨ RUNNING NUMBER: | |

MEASURE POINT: QUADRANT POINT (QP) TANGENCY POINT (TP) INTERSECTION POINT (IP)	JTS JITS TECHNOLOGY CO., LIMITED							
UNLESS OTHERWISE SPECIFIED, TOLERANCE: X. ±0.25 X.x ±0.20 X.xx ±0.15 ANGULAR ±3'	DESING	Steven	DATE	2011.12.09	TITLE: POGO PIN CONN L=5.50mm CONN			
	CHECKED	Jeff	DATE	2011.12.09				
	APPROVED	Junly	DATE	2011.12.09				
	PART NO:	PA0115055-1202-A		REV:	01	SCALE:	12:1	UNIT:
DRAWING NO:	PA01150550101		SIZE:	A4	SHEET:	1/2		