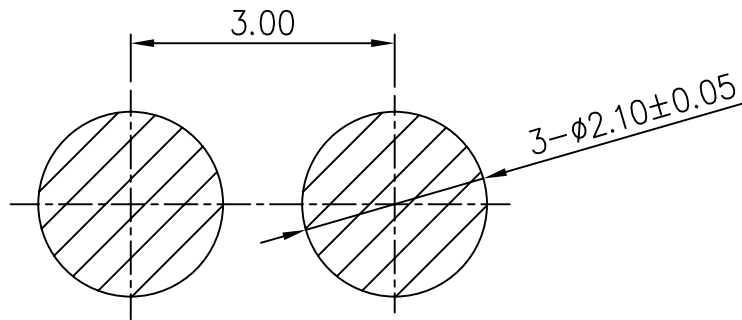
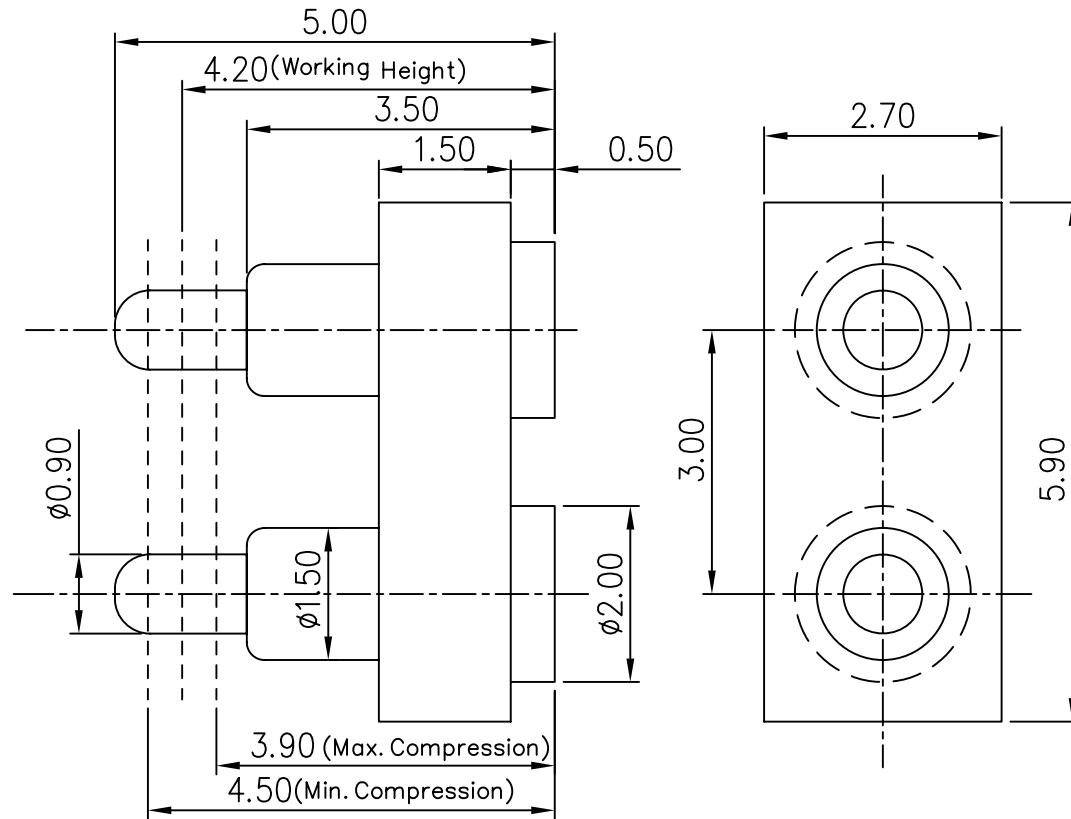


RoHS

REV.	LOCAS.	DESCRIPTION	DRAW.	DATE.
01	NEW	INITIAL RELEASE.	Junly	2011.12.09



RECOMMENDED PCB LAYOUT
TOLERANCE: ±0.05

NOTES:

1. MATERIAL:
 - 1.1 Plunger: Brass C3604
 - 1.2 Barrel: Brass C3604
 - 1.3 Spring: SUS 304
2. SPECIALITY:
 - 2.1 Rated current: 2.0 Amps
 - 2.2 Rated voltage: 12VAC (rms) / DC
 - 2.3 Contact Resistance: 50Milliohms Max.
 - 2.4 Insulation Resistance: 100 Megohms Min.
 - 2.5 Dielectric withstanding voltage: 100V AC.
 - 2.6 Durability: 20000 Times.
 - 2.7 Operating condition: Temperature -20°C ~ +70°C;
 - 2.8 Spring force: 120g ± 20gkf
 - 2.9 Full stroke: 2.0 mm

Ordering Code

P A 02 30 050 -1 2 01 -A
 ① ② ③ ④ ⑤ ⑥ ⑦ ⑧ ⑨

- ① POGO PIN SERIES
- ② FINISHED PRODUCT
- ③ PIN NO. 02 PIN
- ④ 3.00mm PITCH
- ⑤ 050 LENGTH 5.00mm
- ⑥ PLATING NUMBER:
- ⑦ WITHOUT POST
- ⑧ φ1.50mm TYPE
- ⑨ RUNNING NUMBER:

MEASURE POINT: QUADRANT POINT (QP) TANGENCY POINT (TP) INTERSECTION POINT (IP)					
	UNLESS OTHERWISE SPECIFIED, TOLERANCE: X. ±0.25 X.x ±0.20 X.xx ±0.15 ANGULAR ±3°	DESING Steven DATE 2011.12.09 CHECKED Jeff DATE 2011.12.09 APPROVED Junly DATE 2011.12.09	TITLE: POGO PIN φ1.50 2PIN 3.00mm PITCH L=5.00mm	PART NO: PA0230050-1201-A DRAWING NO: PA02300500101	REV: 01 SCALE: 12:1 SHEET: 1/2