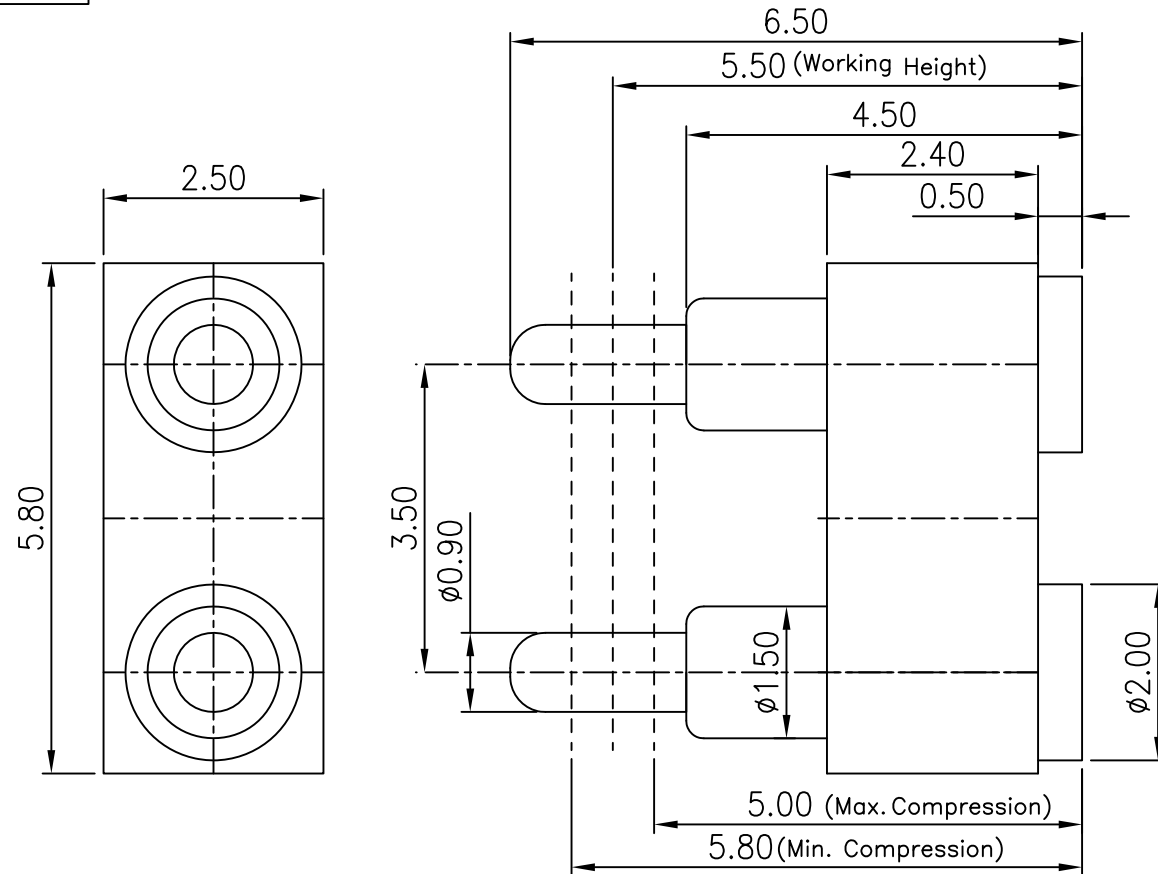


RoHS

REV.	LOCAS.	DESCRIPTION	DRAW.	DATE.
01	NEW	INITIAL RELEASE.	Junly	2009.12.09



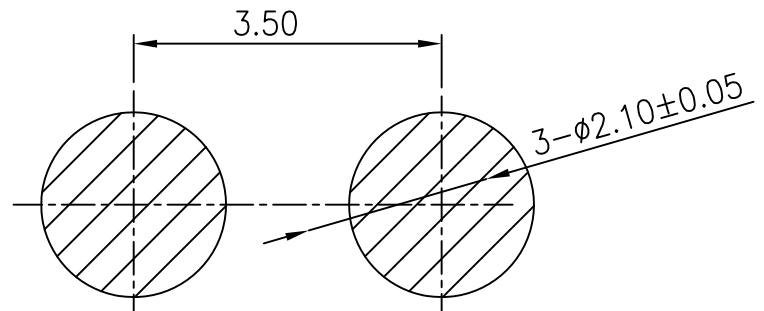
NOTES:

1. MATERIAL:
  - 1.1 Plunger: Brass C3604
  - 1.2 Barrel: Brass C3604
  - 1.3 Spring: SUS 304
2. SPECIALITY:
  - 2.1 Rated current: 2.0 Amps
  - 2.2 Rated voltage: 12VAC (rms) / DC
  - 2.3 Contact Resistance: 50 Milliohms Max.
  - 2.4 Insulation Resistance: 100 Megohms Min.
  - 2.5 Dielectric withstanding voltage: 100V AC.
  - 2.6 Durability: 20000 Times.
  - 2.7 Operating condition: Temperature -20°C ~ +70°C;
  - 2.8 Spring force: 120g ± 20gkf
  - 2.9 Full stroke: 2.0 mm

Ordering Code

P A 02 35 065 -1 2 01 -A  
 ① ② ③ ④ ⑤ ⑥ ⑦ ⑧ ⑨

- ① POGO PIN SERIES
- ② FINISHED PRODUCT
- ③ PIN NO. 02 PIN
- ④ 3.50mm PITCH
- ⑤ 065 LENGTH 6.50mm
- ⑥ PLATING NUMBER:
- ⑦ WITHOUT POST
- ⑧  $\phi 1.50$ mm TYPE
- ⑨ RUNNING NUMBER:



RECOMMENDED PCB LAYOUT  
 TOLERANCE: ±0.05

MEASURE POINT:  
 QUADRANT POINT (QP)  
 TANGENCY POINT (TP)  
 INTERSECTION POINT (IP)



UNLESS OTHERWISE SPECIFIED, TOLERANCE:	DESING	Junly	DATE	2009.12.09	TITLE:	POGO PIN $\phi 1.50$ 2PIN						
X. ±0.25	CHECKED	Keivin	DATE	2009.12.09		3.50mm PITCH L=6.50mm						
X.x ±0.20	APPROVED	TEDDY	DATE	2009.12.09	PART NO:	PA0235065-1201-A	REV:	01	SCALE:	12:1	UNIT:	mm
X.xx ±0.15					DRAWING NO:	PA02350650101	SIZE:	A4	SHEET:	1/1		
ANGULAR ±3°												