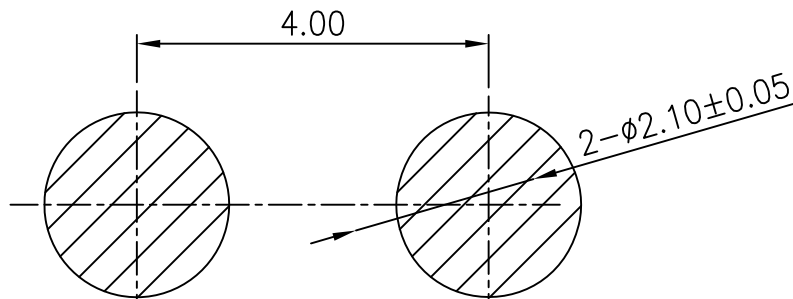
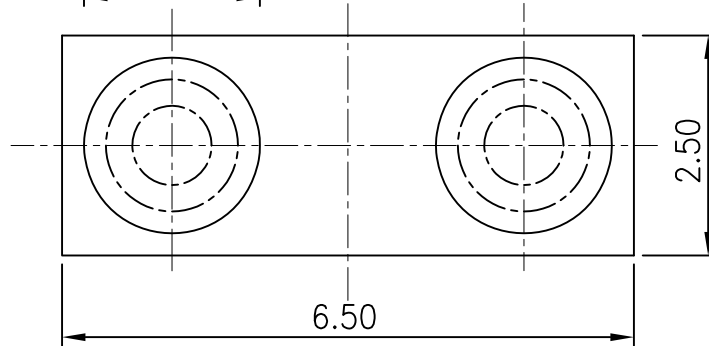
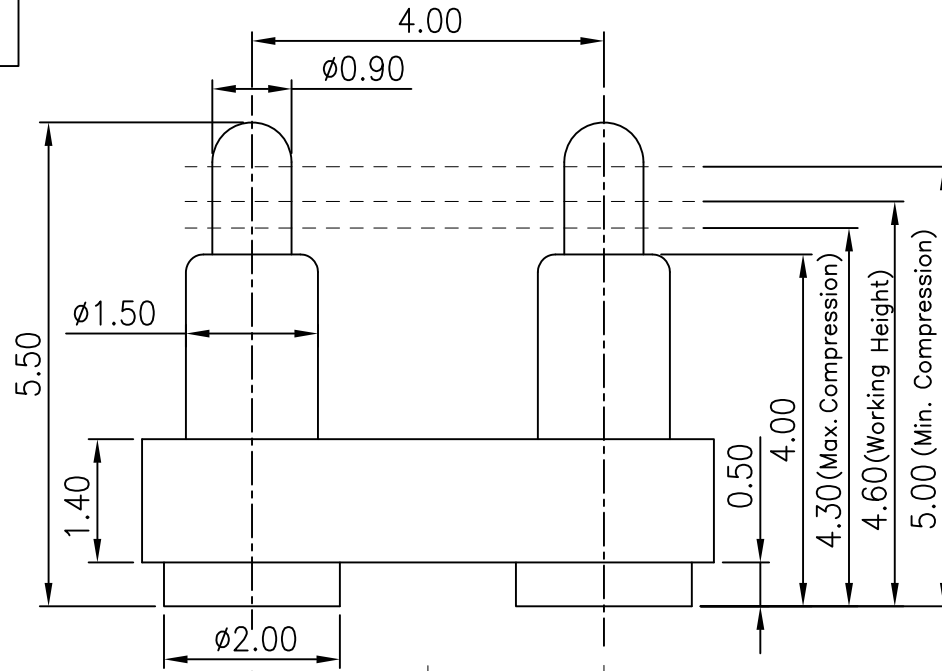


RoHS

REV.	LOCAS.	DESCRIPTION	DRAW.	DATE.
01	NEW	INITIAL RELEASE.	Junly	2009.12.09



RECOMMENDED PCB LAYOUT
TOLERANCE: ±0.05

NOTES:

1. MATERIAL:

- 1.1 Plunger: Brass C3604
- 1.2 Barrel: Brass C3604
- 1.3 Spring: SUS 304

2. SPECIALITY:

- 2.1 Rated current: 2.0 Amps
- 2.2 Rated voltage: 12VAC (rms) / DC
- 2.3 Contact Resistance: 50 Milliohms Max.
- 2.4 Insulation Resistance: 100 Megohms Min.
- 2.5 Dielectric withstanding voltage: 100V AC.
- 2.6 Durability: 20000 Times.
- 2.7 Operating condition: Temperature -20°C ~ +70°C;
- 2.8 Spring force: 90g ± 20gk
- 2.9 Full stroke: 1.5 mm

3. PLATING SPEC: Au 5u"MIN, Ni 50u" MIN;

Ordering Code

P A 02 40 055 -1 2 01 -A
① ② ③ ④ ⑤ ⑥ ⑦ ⑧ ⑨

- ① POGO PIN SERIES
- ② FINISHED PRODUCT
- ③ PIN NO. 02 PIN
- ④ 4.00mm PITCH
- ⑤ 055 LENGTH 5.50mm
- ⑥ PLATING NUMBER:
- ⑦ WITHOUT POST
- ⑧ φ1.50mm TYPE
- ⑨ RUNNING NUMBER:

MEASURE POINT: QUADRANT POINT (QP) TANGENCY POINT (TP) INTERSECTION POINT (IP)				
	UNLESS OTHERWISE SPECIFIED, TOLERANCE: X. ±0.25 X.x ±0.20 X.xx ±0.15 ANGULAR ±3°	DESING: Junly CHECKED: Keivin APPROVED: TEDDY	DATE: 2009.12.09 DATE: 2009.12.09 DATE: 2009.12.09	TITLE: POGO PIN φ1.50 2PIN 4.00mm PITCH L=5.50mm
REV: 01 SCALE: 12:1 UNIT: mm	SIZE: A4 SHEET: 1/1	DATE: 2009.12.09	TITLE:	UNIT: mm