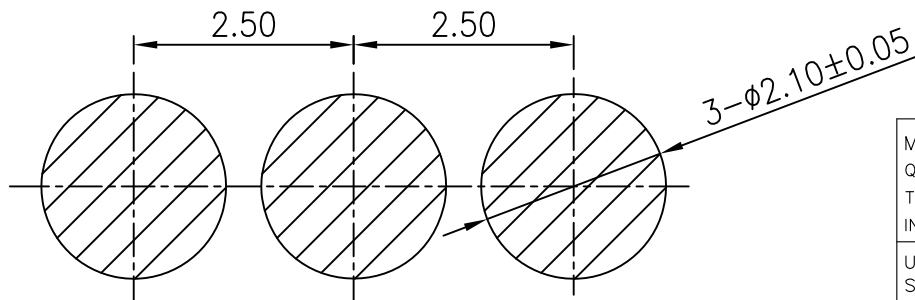
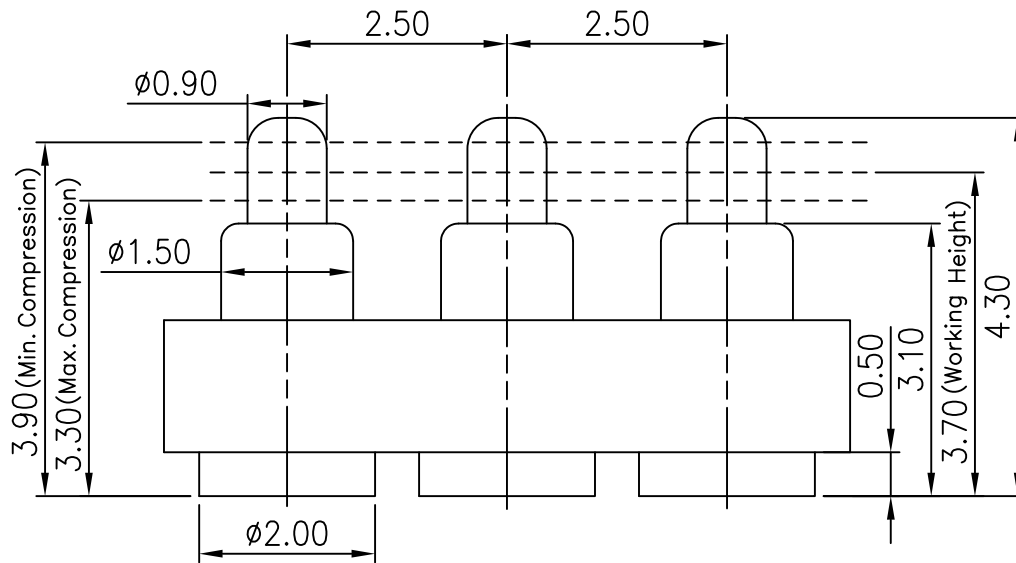
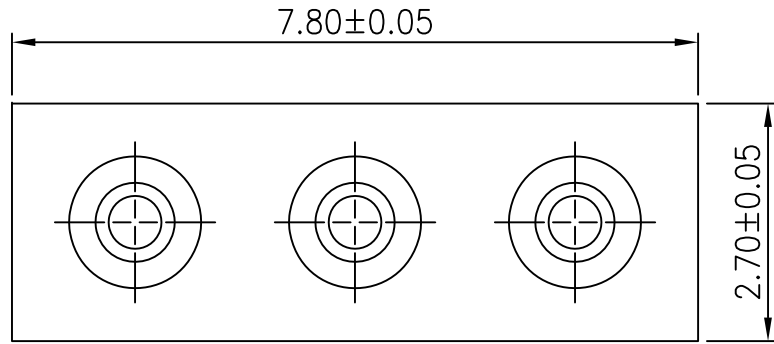


RoHS

REV.	LOCAS.	DESCRIPTION	DRAW.	DATE.
01	NEW	INITIAL RELEASE.	Junly	2009.12.09



RECOMMENDED PCB LAYOUT
TOLERANCE: ±0.05

NOTES:

1. MATERIAL:

- 1.1 Housing: High Temperature Thermoplastic ,Color:Black
- 1.2 Plunger: Brass C3604
- 1.3 Barrel: Brass C3604
- 1.4 Spring: SUS 304

2. SPECIALITY:

- 2.1 Rated current: 2.0 Amps
- 2.2 Rated voltage: 12VAC (rms) / DC
- 2.3 Contact Resistance: 50Milliohms Max.
- 2.4 Insulation Resistance: 100 Megohms Min.
- 2.5 Dielectric withstanding voltage: 100V AC.
- 2.6 Durability: 20000 Times.
- 2.7 Operating condition: Temperature -20°C ~ +70°C;
- 2.8 Spring force: 120g±20gkf
- 2.9 Full stroke: 1.5 mm

Ordering Code

P A 03 25 043 -1 2 01 -A
① ② ③ ④ ⑤ ⑥ ⑦ ⑧ ⑨

- ① POGO PIN SERIES
- ② FINISHED PRODUCT
- ③ PIN NO. 03 PIN
- ④ 2.50mm PITCH
- ⑤ 043 LENGTH 4.30mm
- ⑥ PLATING NUMBER:
- ⑦ WITHOUT POST
- ⑧ 1.50mm TYPE
- ⑨ RUNNING NUMBER:

MEASURE POINT:
 QUADRANT POINT (QP)
 TANGENCY POINT (TP)
 INTERSECTION POINT (IP)



UNLESS OTHERWISE SPECIFIED, TOLERANCE:
 X. ±0.25
 X.x ±0.20
 X.xx ±0.15
 ANGULAR ±3°

DESING	Junly	DATE	2009.12.09	TITLE:	
CHECKED	Keivin	DATE	2009.12.09	POGO PIN 1.50 3PIN	
APPROVED	TEDDY	DATE	2009.12.09	2.50mm PITCH H=4.30mm	
PART NO:	PA0325043-1201-A			REV:	01
DRAWING NO:	PA03250430101			SCALE:	12:1
				UNIT:	mm
				SIZE:	A4
				SHEET:	1/1