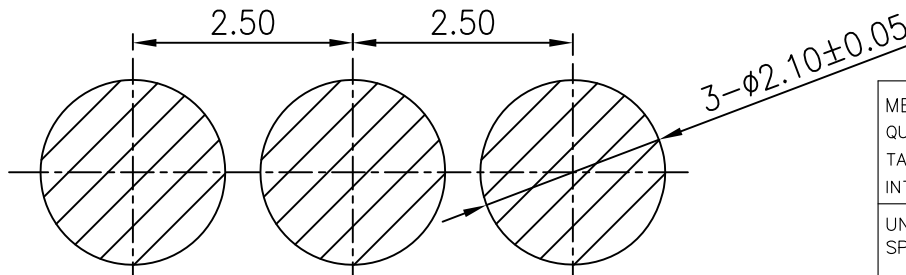
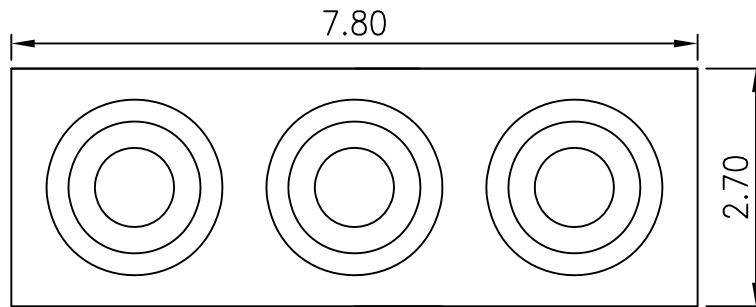
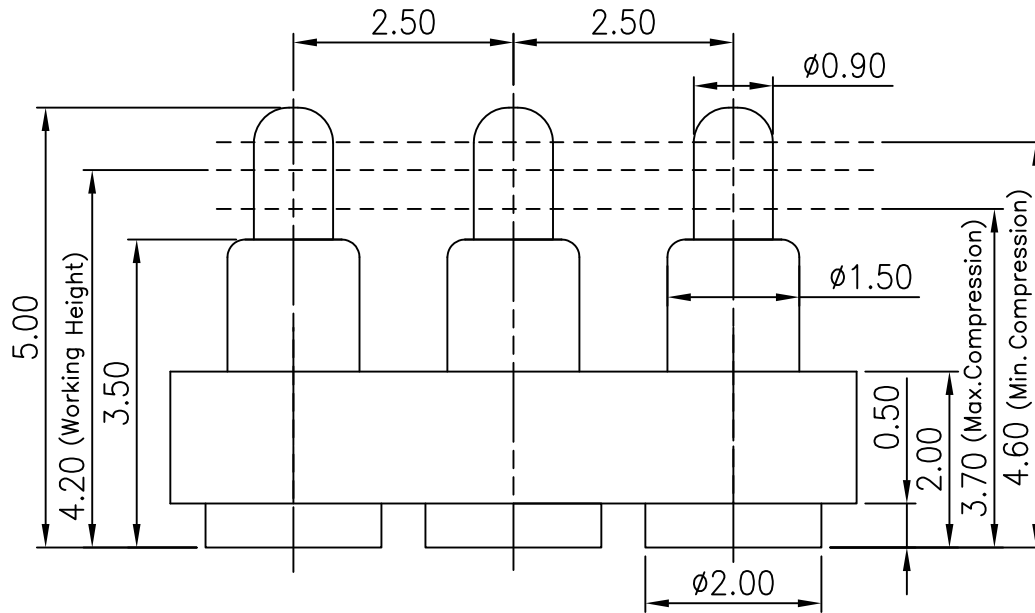


RoHS

REV.	LOCAS.	DESCRIPTION	DRAW.	DATE.
01	NEW	INITIAL RELEASE.	Junly	2009.12.09
02	Change	Spring force modification.	Andy	2016.04.18



RECOMMENDED PCB LAYOUT
TOLERANCE: ±0.05

NOTES:

1. MATERIAL:
 - 1.1 Housing: High Temperature Thermoplastic ,Color:Black
 - 1.2 Plunger: Brass C3604
 - 1.3 Barrel: Brass C3604
 - 1.4 Spring: SUS 304
2. SPECIALITY:
 - 2.1 Rated current: 2.0 Amps
 - 2.2 Rated voltage:12VAC (rms) / DC
 - 2.3 Contact Resistance: 50Milliohms Max.
 - 2.4 Insulation Resistance:100 Megohms Min.
 - 2.5 Dielectric withstanding voltage: 100V AC.
 - 2.6 Durability:20000 Times.
 - 2.7 Operating condition:Temperature-20°C~+70°C;
 - 2.8 Spring force: 50g±10gkf
 - 2.9 Full stroke: 1.5 mm

Ordering Code

P A 03 25 050 -1 2 01 -A
 ① ② ③ ④ ⑤ ⑥ ⑦ ⑧ ⑨

- | | |
|---------------------|--------------------|
| ① POGO PIN SERIES | ② FINISHED PRODUCT |
| ③ PIN NO. 03 PIN | ④ 2.50mm PITCH |
| ⑤ 050 LENGTH 5.00mm | ⑥ PLATING NUMBER: |
| ⑦ WITHOUT POST | ⑧ φ1.50mm TYPE |
| ⑨ RUNNING NUMBER: | |

MEASURE POINT: QUADRANT POINT (QP) TANGENCY POINT (TP) INTERSECTION POINT (IP)				
	UNLESS OTHERWISE SPECIFIED, TOLERANCE: X. ±0.25 X.x ±0.20 X.xx ±0.15 ANGULAR ±3°	DESING Andy DATE 2016.04.18 CHECKED Kevin DATE 2016.04.18 APPROVED TEDDY DATE 2016.04.18	TITLE: POGO PIN φ1.50 3PIN 2.50mm PITCH H=5.00mm	PART NO: PA0325050-1201-A DRAWING NO: PA03250500101