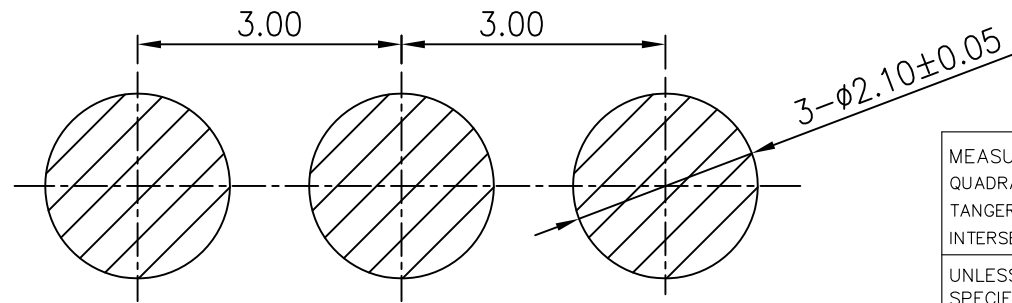
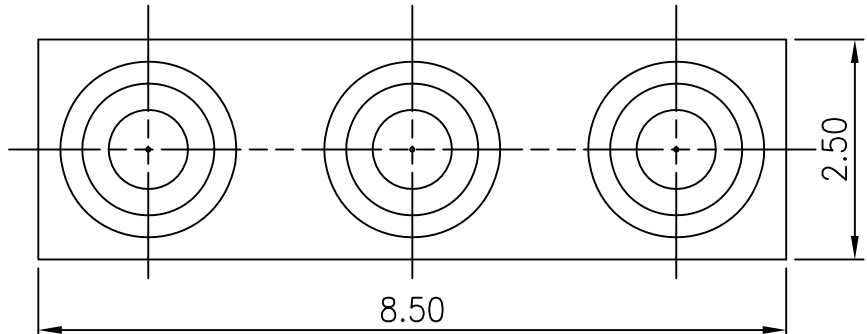
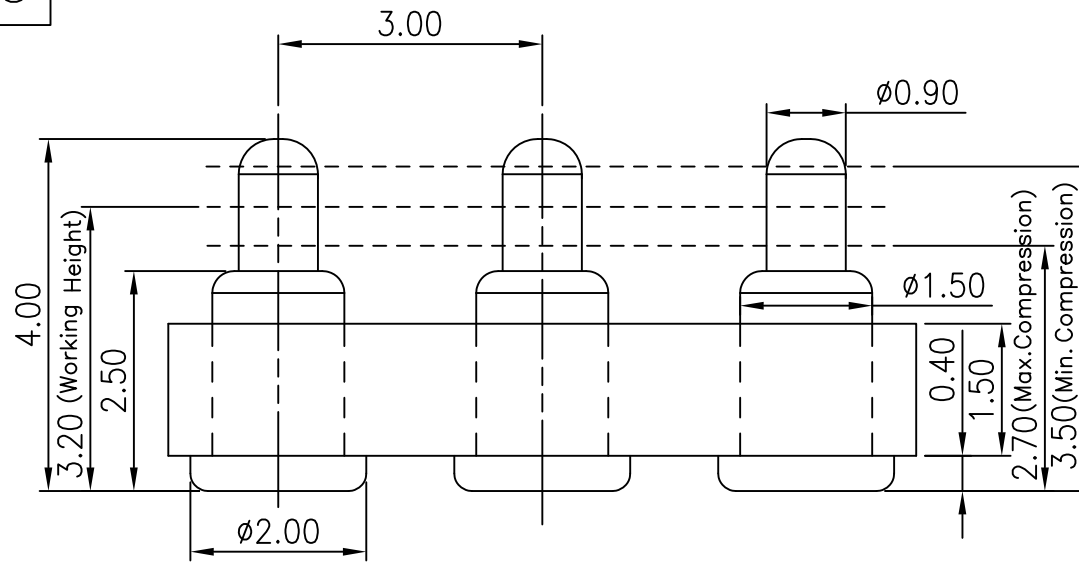


RoHS

REV.	LOCAS.	DESCRIPTION	DRAW.	DATE.
01	NEW	INITIAL RELEASE.	Junly	2009.12.09



RECOMMENDED PCB LAYOUT
TOLERANCE: ±0.05

NOTES:

1. MATERIAL:

1.1 Housing: High Temperature Thermoplastic
Color:Black

1.2 Plunger: Brass C3604

1.3 Barrel: Brass C3604

1.4 Spring: SUS 304

2. SPECIALITY:

2.1 Rated current: 2.0 Amps

2.2 Rated voltage:12VAC (rms) / DC

2.3 Contact Resistance: 50Milliohms Max.

2.4 Insulation Resistance:100 Megohms Min.

2.5 Dielectric withstanding voltage: 100V AC.

2.6 Durability:20000 Times.

2.7 Operating condition:Temperature-20°C~+70°C;

2.8 Spring force: 120g±20gkf

2.9 Full stroke: 1.5 mm

Ordering Code

P A 03 30 040 -1 2 01 -A
① ② ③ ④ ⑤ ⑥ ⑦ ⑧ ⑨

① POGO PIN SERIES

② FINISHED PRODUCT

③ PIN NO. 03 PIN

④ 3.00mm PITCH

⑤ 040 LENGTH 4.00mm

⑥ PLATING NUMBER:

⑦ WITHOUT POST

⑧ Ø1.50mm TYPE

⑨ RUNNING NUMBER:

MEASURE POINT:
QUADRANT POINT (QP)
TANGENCY POINT (TP)
INTERSECTION POINT (IP)



UNLESS OTHERWISE SPECIFIED, TOLERANCE:
X. ±0.25
X.x ±0.20
X.xx ±0.15
ANGULAR ±3°

DESING	Junly	DATE	2009.12.09	TITLE:	POGO PIN Ø1.50 3PIN 3.00mm PITCH H=4.00mm		
CHECKED	Keivin	DATE	2009.12.09	PART NO:	PA0330040-1201-A	REV:	01
APPROVED	TEDDY	DATE	2009.12.09	DRAWING NO:	PA03300400101	SCALE:	12:1
				UNIT:	mm	SHEET:	1/1