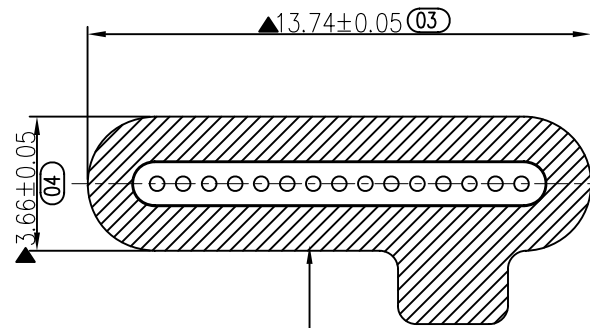
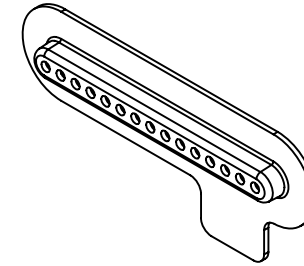
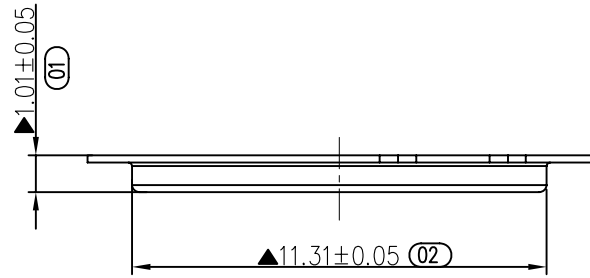
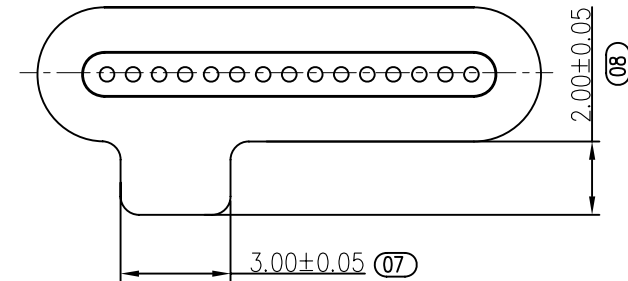
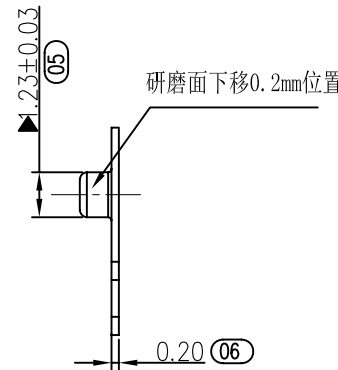


RoHS

REV.	LOCAS.	DESCRIPTION	DRAW.	DATE.
01	NEW	INITIAL RELEASE.	Alan	2015.07.31
02	⚠	Replacement packing	Alan	2015.11.14



阴影区自带双面胶: TESA4983



NOTES:

MATERIAL: Stainless Steel. T=0.20mm;
 Minimum-Value Aperture: ϕ 0.40mm
 Pitch-Row: 0.71mm; Hole Count: 15 Pcs;

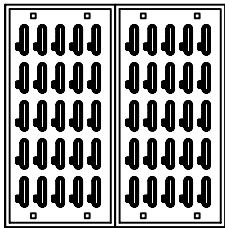
MEASURE POINT:
 QUADRANT POINT (QP)
 TANGENCY POINT (TP)
 INTERSECTION POINT (IP)



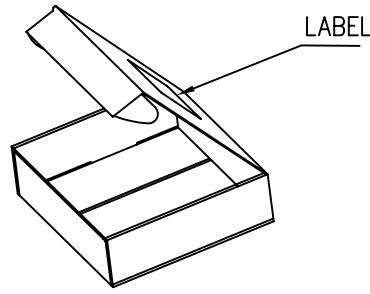
UNLESS OTHERWISE SPECIFIED, TOLERANCE:
 X. ±0.25
 X.x ±0.20
 X.xx ±0.15
 ANGULAR ±3'

DESIGN	Alan	DATE	2015.11.14	TITLE: DUST HELMETT=0.20*13.74*3.66 H=1.01mm				
CHECKED	Peter	DATE	2015.11.14					
APPROVED	Peter	DATE	2015.11.14					
PART NO:	EAJN-1505		REV:	02	SCALE:	1:1	UNIT:	mm
DRAWING NO:	EAJN-1505		SIZE:	A4	SHEET:	1/2		

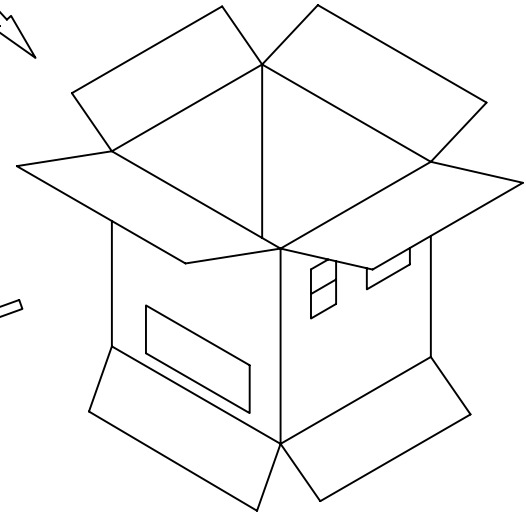
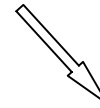
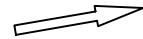
RoHS



DUST HELMET Δ

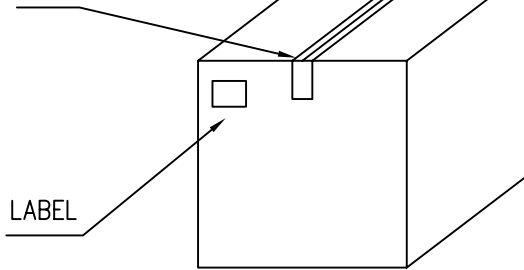


BOX



BOX

ADHESIVE TAPE



LABEL

TABLE

	SPEC	QTY
SMALL PACKING	BOX 150*180*55 K3K	5000 PCS
LARGE PACKING	BOX 342*402*320 K=K	100000 PCS

MEASURE POINT:
 QUADRANT POINT (QP)
 TANGENCY POINT (TP)
 INTERSECTION POINT (IP)

UNLESS OTHERWISE
 SPECIFIED, TOLERANCE:
 X. ±0.25
 X.x ±0.20
 X.xx ±0.15
 ANGULAR ±3'



DESING	Alan	DATE	2015.11.14	TITLE:	DUST HELMET=0.20*13.74*3.66 H=1.01mm				
CHECKED	Peter	DATE	2015.11.14						
APPROVED	Peter	DATE	2015.11.14						
PART NO:	EAJN-1505			REV:	02	SCALE:	1:1	UNIT:	mm
DRAWING NO:	EAJN-1505			SIZE:	A4	SHEET:	2/2		