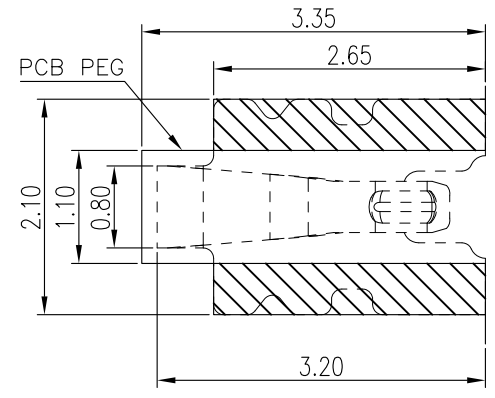
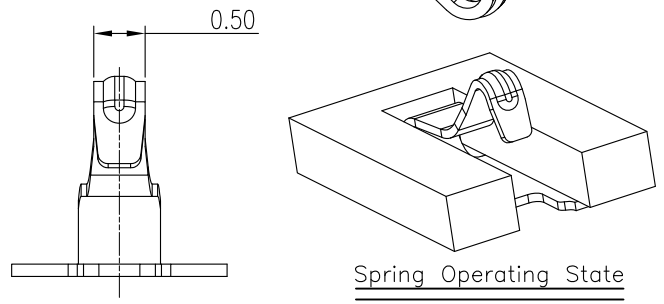
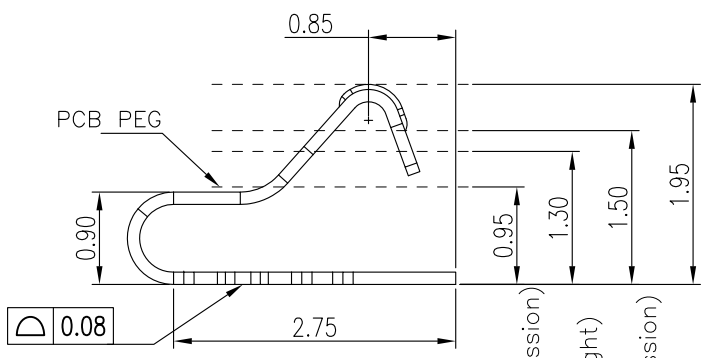
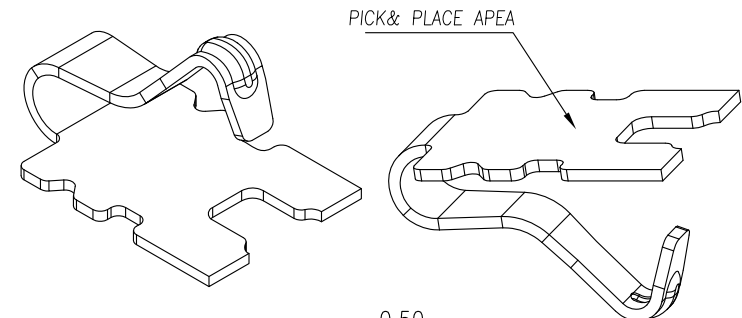
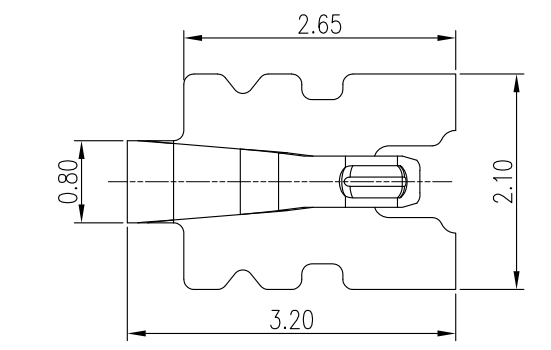


| REV. | LOCAS. | DESCRIPTION | DRAW. | DATE. |
|------|--------|--------------------------|-------|------------|
| 01 | NEW | INITIAL RELEASE. | Karen | 2013.01.12 |
| 02 | MODIFY | ECN-1408016 | Andy | 2014.08.11 |
| 03 | MODIFY | UPDATE THE DRAWING FRAME | Alan | 2016.03.16 |

- NOTES:
- MATERIAL:
 - 1.1 Copper Alloy
 - SPECIALITY:
 - 2.1 Contact Resistance: 30mΩ Max
 - 2.2 Operating Temperature: -20°C~+65°C
 - 2.3 Max. Beam Deflection: 1.00mm. On Contact POINT
 - RF PERFORMANCE:
 - 3.1 Impedance: 50 ohm.
 - 3.2 Insertion Loss: 0.6dBMax.(DC~3GHz)
 - 3.3 VSWR: 1.5MAX.(DC~3GHz)

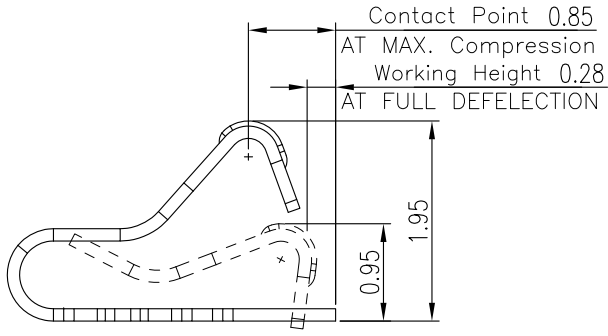
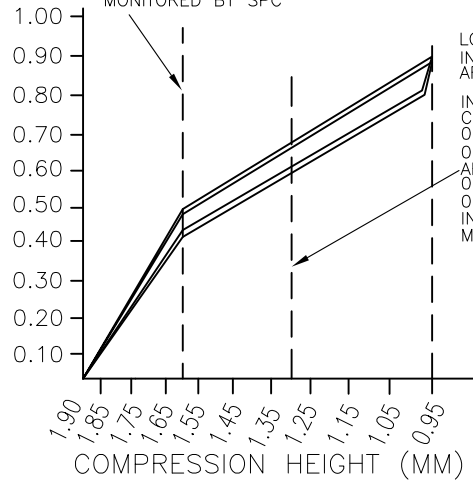


INITIAL FORCE AT 1.60MM COMPRESSION =
 0.48N (APPLYING LOAD)
 0.44N (UNAPPLYING LOAD)
 AFTER 3 x REFLOW =
 0.45N (APPLYING LOAD)
 0.40N (UNAPPLYING LOAD)
 INITIAL FORCE ONLY TO BE MONITORED BY SPC

(Max Compression)
 (Working Height)
 (Min Compression)

LOAD AT 0.95 MM HEIGHT
 INITIAL = 0.92 N (APPLYING LOAD)
 AFTER 3 x REFLOW = 0.89 N

INITIAL FORCE AT 1.30MM COMPRESSION =
 0.67 (APPLYING LOAD)
 0.62N (UNAPPLYING LOAD)
 AFTER 3 x REFLOW =
 0.65N (APPLYING LOAD)
 0.58N (UNAPPLYING LOAD)
 INITIAL FORCE ONLY TO BE MONITORED BY SPC

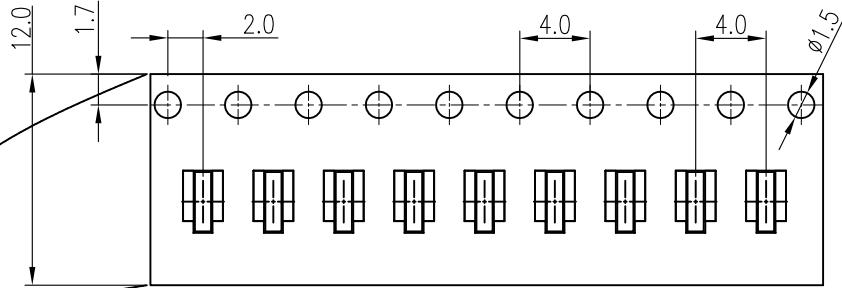


RECOMMENDED PCB LAYOUT
 TOLERANCE: ±0.05

| | | | | | | | |
|---|--------------------------------------|----------|----------------------------------|------------|----------------------------|--|--|
| MEASURE POINT: QUADRANT POINT (QP) TANGENCY POINT (TP) INTERSECTION POINT (IP) | | | DESING Alan DATE 2016.03.16 | | TITLE: | | |
| | | | CHECKED Nick.F.H DATE 2016.03.16 | | ANTENNA RF SPRING H:1.90mm | | |
| UNLESS OTHERWISE SPECIFIED, TOLERANCE: X.x ±0.20 X.xx ±0.15 X.xxx ±0.10 ANGULAR ±3° | APPROVED HaiYong.Luo DATE 2016.03.16 | | L:3.20*2.10*1.90mm B TYPE | | REV: 03 | | |
| | PART NO: P-JS-TTB19 | | SCALE: 16:1 | | UNIT: mm | | |
| DRAWING NO: P-JS-TTB19 | | SIZE: A4 | | SHEET: 1/1 | | | |

RoHS

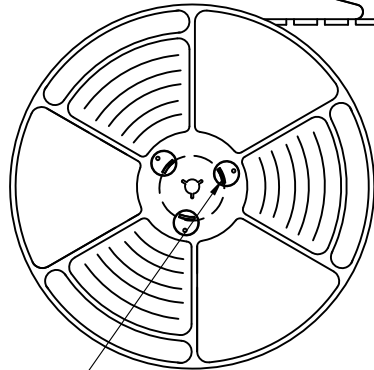
User Direction of Unreeling



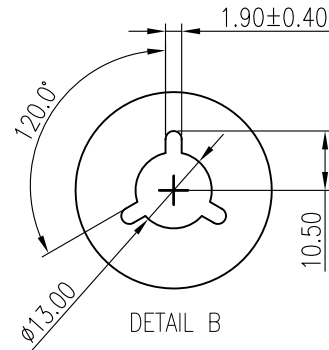
COVER TAPE PEELING ANGLE: 165°~180°
PEELING FORCE: 20~130g

CARRIER TAPE

User Direction of Unreeling



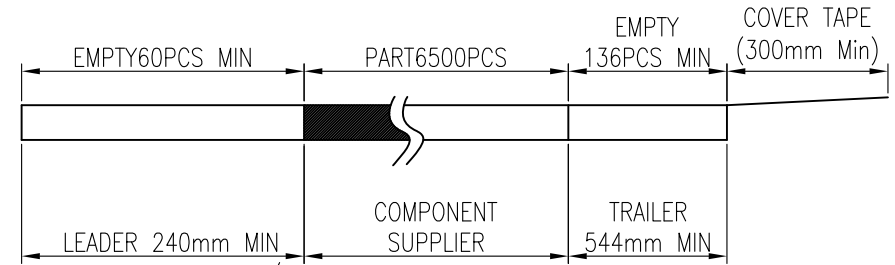
DETAIL B



DETAIL B

NOTES

1. NUMBER OF CONNECTORS: 6500PCS/REEL
2. LEAD TAPE LENGTH



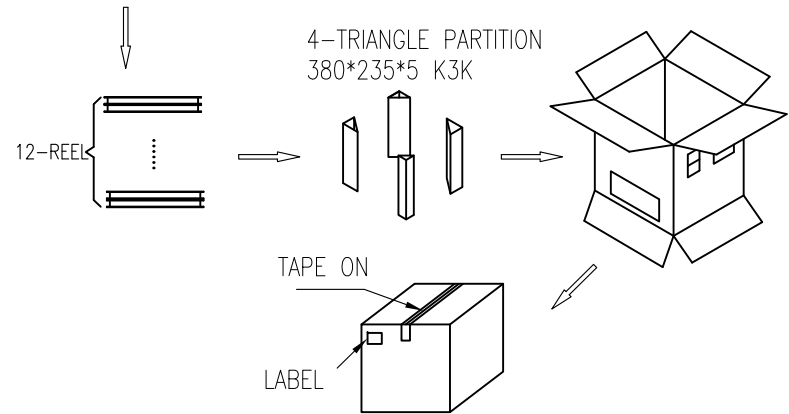
3. QUANTITY: 78000PCS/CARTON

4. WEIGHT :

3.1 NET WEIGHT : 7.659Kg

3.2 GROSS WEIGHT : 10.56Kg

CARTON
342*342*250 K=K



MEASURE POINT:
QUADRANT POINT (QP)
TANGENCY POINT (TP)
INTERSECTION POINT (IP)

JTS JITS
TECHNOLOGY CO., LIMITED

UNLESS OTHERWISE SPECIFIED, TOLERANCE:
X. ±0.25
X.X ±0.20
X.XX ±0.15
ANGULAR ±3°

| | | | | | | | |
|-------------|-------------|------|------------|--------|---|-----|----------|
| DESING | Alan | DATE | 2016.03.16 | TITLE: | ANTENNA RF SPRING H:1.90mm L:3.20*2.10*1.90mm B TYPE | | |
| CHECKED | Nick.F.H | DATE | 2016.03.16 | | | | |
| APPROVED | HaiYong.Luo | DATE | 2016.03.16 | | | | |
| PART NO: | P-JS-TTB19 | | REV: | 03 | SCALE: | 1:1 | UNIT: mm |
| DRAWING NO: | P-JS-TTB19 | | SIZE: | A4 | SHEET: | 2/2 | |