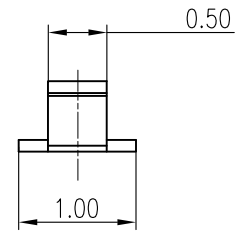
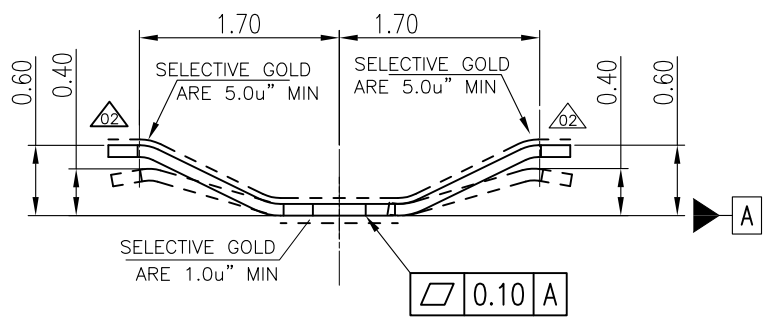
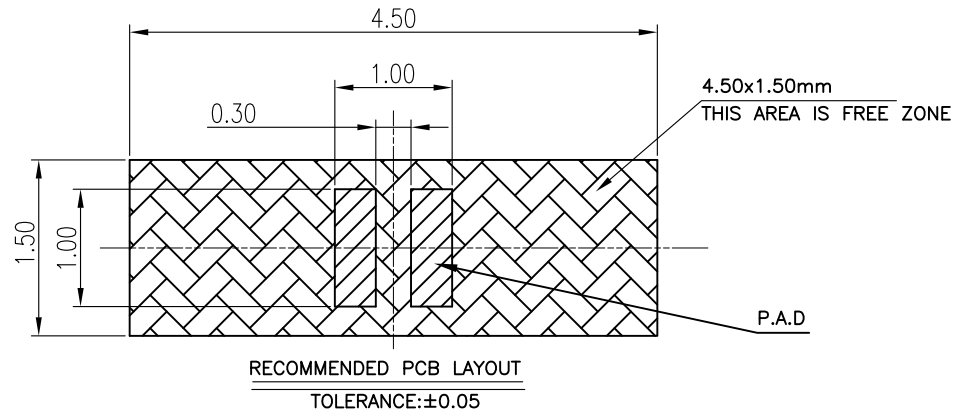
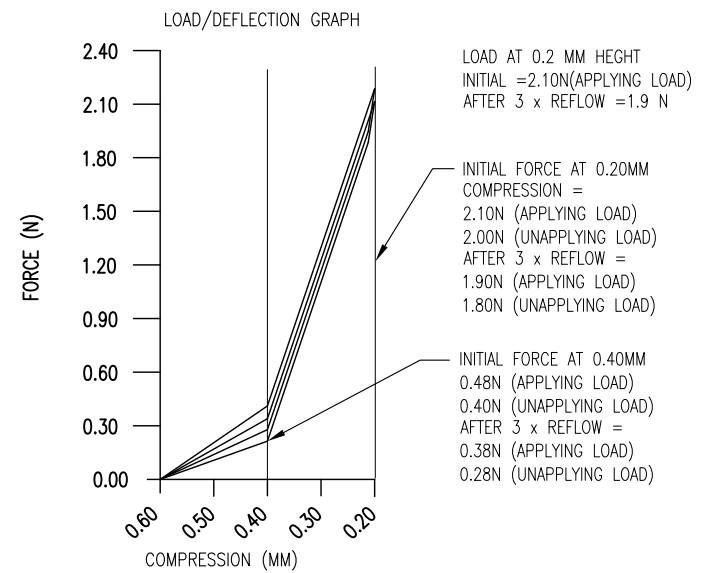
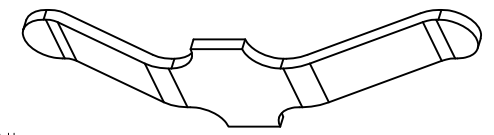


REV.	LOCAS.	DESCRIPTION	DRAW.	DATE.
02	MODIFY	ECN-1302004.	Junly	2013.02.21
03	MODIFY	ECN-1408033	Andy	2014.08.31
04	MODIFY	UPDATE THE DRAWING FRAME	Alan	2016.03.08



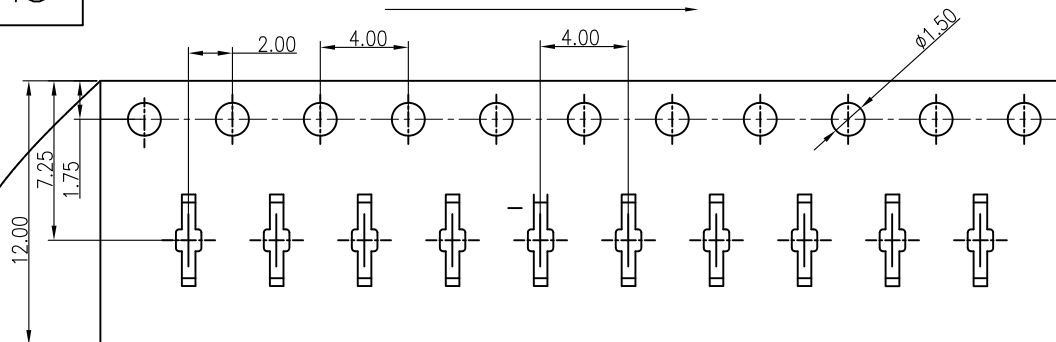
- NOTES:
- MATERIAL:
 - Copper Alloy
 - SPECIALITY:
 - Contact Resistance: 30mΩ Max
 - Operating Temperature: -20°C~+65°C
 - Max. Beam Deflection: 0.40mm. On Contact POINT
 - RF PERFORMANCE:
 - Impedance: 50 ohm.
 - Insertion Loss: 0.6dBMax.(DC~3GHz)
 - VSWR: 1.5MAX.(DC~3GHz)



MEASURE POINT: QUADRANT POINT (QP) TANGENCY POINT (TP) INTERSECTION POINT (IP)	JTS JITS TECHNOLOGY CO., LIMITED		TITLE: ANTENNA RF SPRING SMT TYPE H:0.6mm L:3.93*0.5*0.60mm					
	DESING	Alan				DATE	2016.03.16	
	CHECKED	Nick.F.H	DATE	2016.03.16				
	APPROVED	HaiYong.Luo	DATE	2016.03.16				
UNLESS OTHERWISE SPECIFIED, TOLERANCE:	PART NO:	P-JS-TT-06	REV:	04	SCALE:	1:1	UNIT:	mm
X.x ±0.20	DRAWING NO:	P-JS-TT-06	SIZE:	A4	SHEET:	1/2		
X.xx ±0.15								
X.xxx ±0.10								
ANGULAR ±3°								

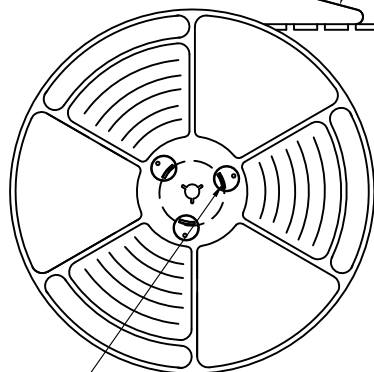
RoHS

User Direction of Unreeling

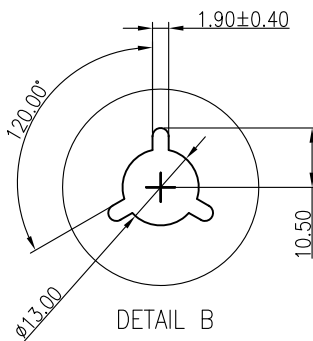


COVER TAPE PEELING ANGLE: 165°~180°
PEELING FORCE: 20~130g

User Direction of Unreeling



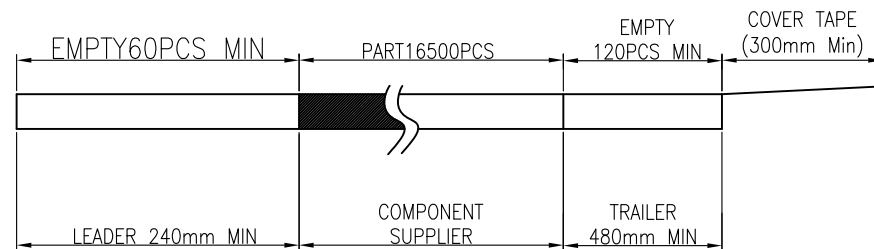
DETAIL B



DETAIL B

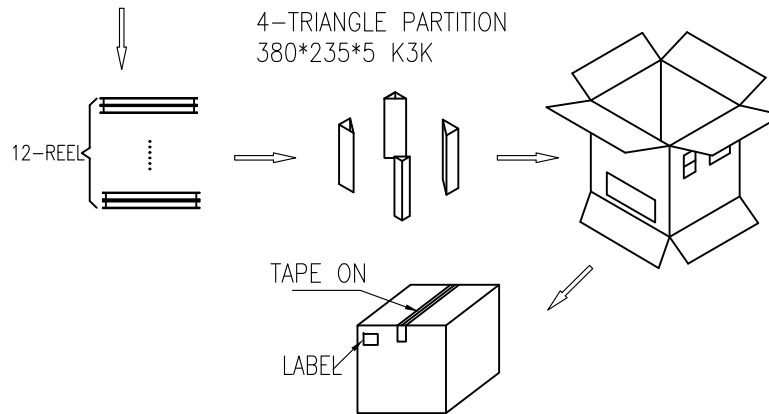
NOTES

1. NUMBER OF CONNECTORS: 16500PCS/REEL
2. LEAD TAPE LENGTH



3. QUANTITY: 198000PCS/CARTON
4. WEIGHT :
 - 4.1 NET WEIGHT : 2.97Kg
 - 4.2 GROSS WEIGHT : 9.175Kg

CARTON
342*342*250 K=K



MEASURE POINT:
 QUADRANT POINT (QP)
 TANGENCY POINT (TP)
 INTERSECTION POINT (IP)

JTS JITS
 TECHNOLOGY CO., LIMITED

UNLESS OTHERWISE SPECIFIED, TOLERANCE:
 X. ±0.25
 X.X ±0.20
 X.XX ±0.15
 ANGULAR ±3°

DESING	Alan	DATE	2016.03.16	TITLE:		
CHECKED	Nick.F.H	DATE	2016.03.16	ANTENNA RF SPRING SMT TYPE		
APPROVED	HaiYong.Luo	DATE	2016.03.16	H:0.6mm L:3.93*0.5*0.60mm		
PART NO:	P-JS-TT-06		REV:	03	SCALE:	1:1
DRAWING NO:	P-JS-TT-06		SIZE:	A4	SHEET:	2/2
			UNIT:	mm		