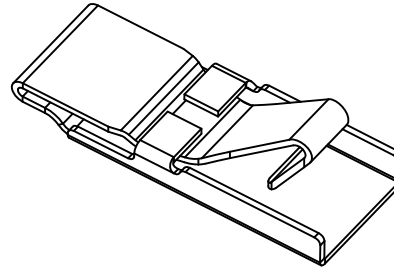
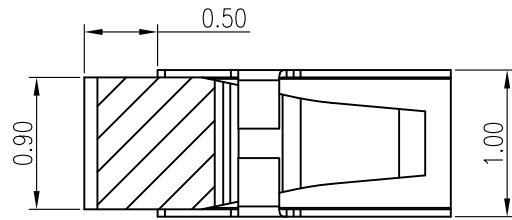


REV.	LOCAS.	DESCRIPTION	DRAW.	DATE.
01	NEW	INITIAL RELEASE.	Junly	2011.12.13
02	MODIFY	ECN-1410024	Andy	2014.10.27
03	MODIFY	UPDATE THE DRAWING FRAME	Alan	2016.03.08

NOTES:

1. MATERIAL:
 - 1.1 SUS
2. SPECIALITY:
 - 2.1 Contact Resistance: 30mΩ Max
 - 2.2 Operating Temperature: -20°C~+65°C
 - 2.3 Max. Beam Deflection: 0.52mm. On Contact POINT
3. RF PERFORMANCE:
 - 3.1 Impedance: 50 ohm.
 - 3.2 Insertion Loss: 0.6dBMax.(DC~3GHz)
 - 3.3 VSWR: 1.5MAX.(DC~3GHz)



PICK & PLACE NOZZLE
 ⌀ AT MAX OFFSET

2.00

0.10 A
 OVER PICK &
 PLACE APEA

0.29
 SELECTIVE GOLD
 ARE 5.0u" MIN

0.10

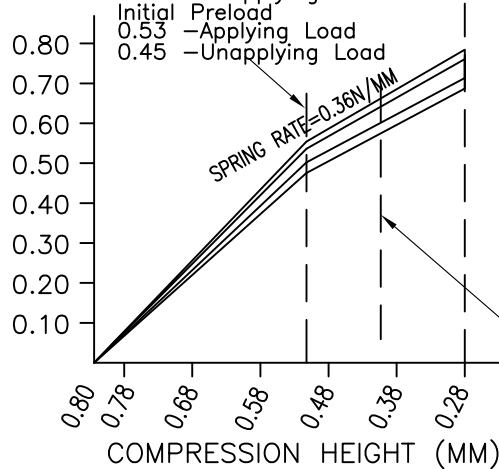
SELECTIVE GOLD
 ARE 1.0u" MIN

0.10 A

LOAD/DEFLECTION GRAPH
 MINIMUM FORCE
 TOLERANCE +0.25N / -0.0N

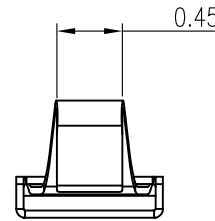
Initial Preload
 0.55 -Applying Load
 0.47 -Unapplying Load
 Initial Preload
 0.53 -Applying Load
 0.45 -Unapplying Load

NORMAL FORCE

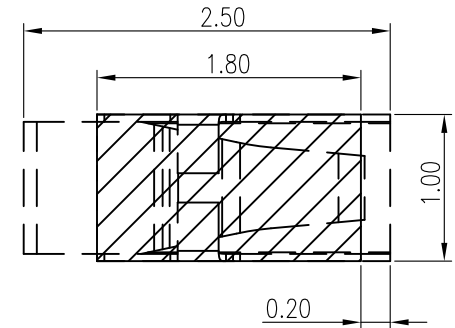
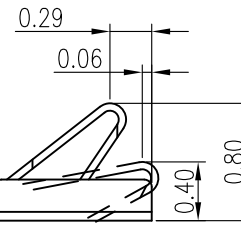


LOAD AT 0.28 MM HEIGHT
 INITIAL = 0.74 N (APPLYING LOAD)
 AFER 3 x REFLOW = 0.66 N

INITIAL FORCE AT 0.40MM
 COMPRESSION=
 0.58N (APPLYING LOAD)
 0.54N (UNAPPLYING LOAD)
 AFTER 3 x REFLOW =
 0.55N (APPLYING LOAD)
 0.51N (UNAPPLYING LOAD)
 INITIAL FORCE ONLY TO BE
 MONITORED BY SPC



STATE AT WORKING
 HEIGHT 0.40mm



RECOMMENDED PCB LAYOUT
 TOLERANCE: ±0.05

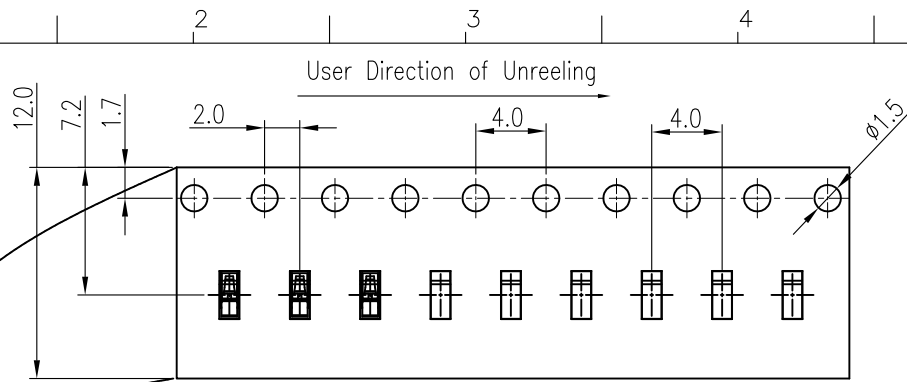
MEASURE POINT:
 QUADRANT POINT (QP)
 TANGENCY POINT (TP)
 INTERSECTION POINT (IP)

UNLESS OTHERWISE
 SPECIFIED, TOLERANCE:
 X. ±0.25
 X.X ±0.20
 X.XX ±0.15
 ANGULAR ±3°



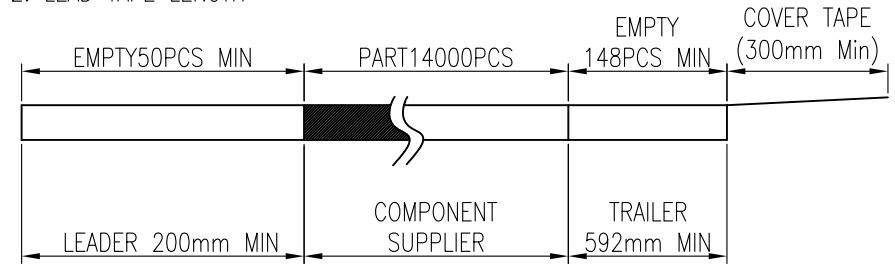
DESING	Alan	DATE	2016.03.16	TITLE:	ANTENNA RF SPRING H:0.80mm A TYPE L:2.50*1.00*0.80mm			
CHECKED	Nick.F.H	DATE	2016.03.16					
APPROVED	HaiYong.Luo	DATE	2016.03.16					
PART NO:	P-JS-TT-08		REV:	03	SCALE:	16:1	UNIT:	mm
DRAWING NO:	P-JS-TT-08		SIZE:	A4	SHEET:	1/2		

RoHS



NOTES

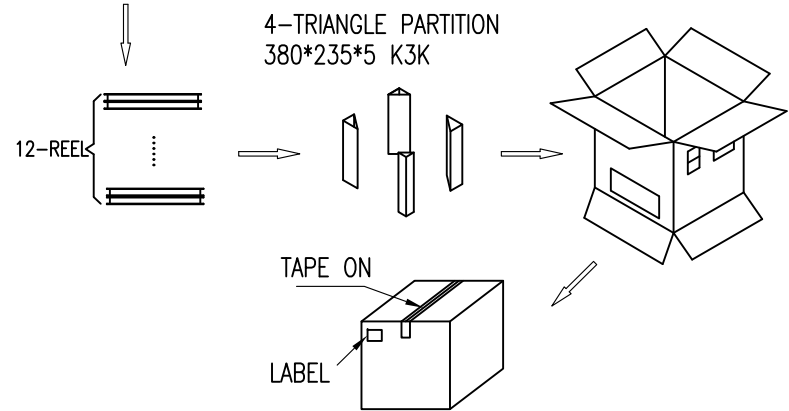
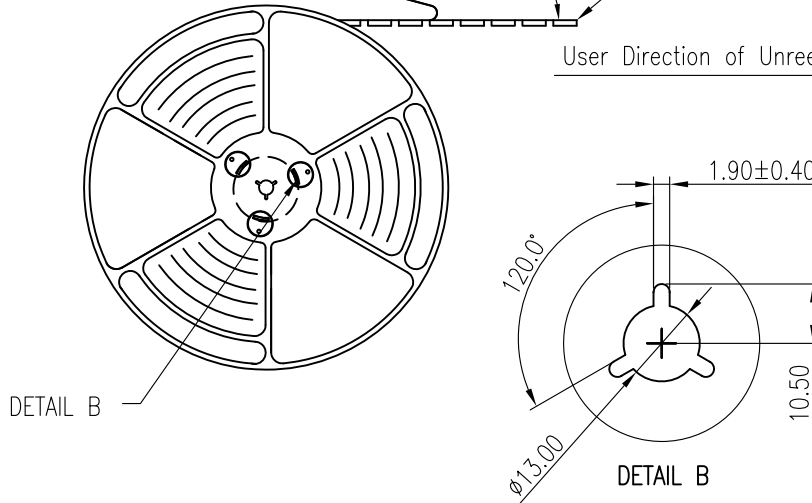
1. NUMBER OF CONNECTORS: 14000PCS/REEL
2. LEAD TAPE LENGTH



3. QUANTITY: 168000PCS/CARTON
4. WEIGHT :
 - 3.1 NET WEIGHT : 2.755Kg
 - 3.2 GROSS WEIGHT : 8.135Kg

COVER TAPE PEELING ANGLE: 165°~180°
PEELING FORCE: 20~130g

CARRIER TAPE
User Direction of Unreeling



MEASURE POINT:
 QUADRANT POINT (QP)
 TANGENCY POINT (TP)
 INTERSECTION POINT (IP)

JITS JITS TECHNOLOGY CO., LIMITED

UNLESS OTHERWISE SPECIFIED, TOLERANCE:
 X. ±0.25
 X.X ±0.20
 X.XX ±0.15
 ANGULAR ±3°

DESING	Alan	DATE	2016.03.16	TITLE:					
CHECKED	Nick.F.H	DATE	2016.03.16	ANTENNA RF SPRING H:0.80mm					
APPROVED	HaiYong.Luo	DATE	2016.03.16	A TYPE L:2.50*1.00*0.80mm					
PART NO:			P-JS-TT-08	REV:	03	SCALE:	1:1	UNIT:	mm
DRAWING NO:			P-JS-TT-08	SIZE:	A4	SHEET:	2/2		