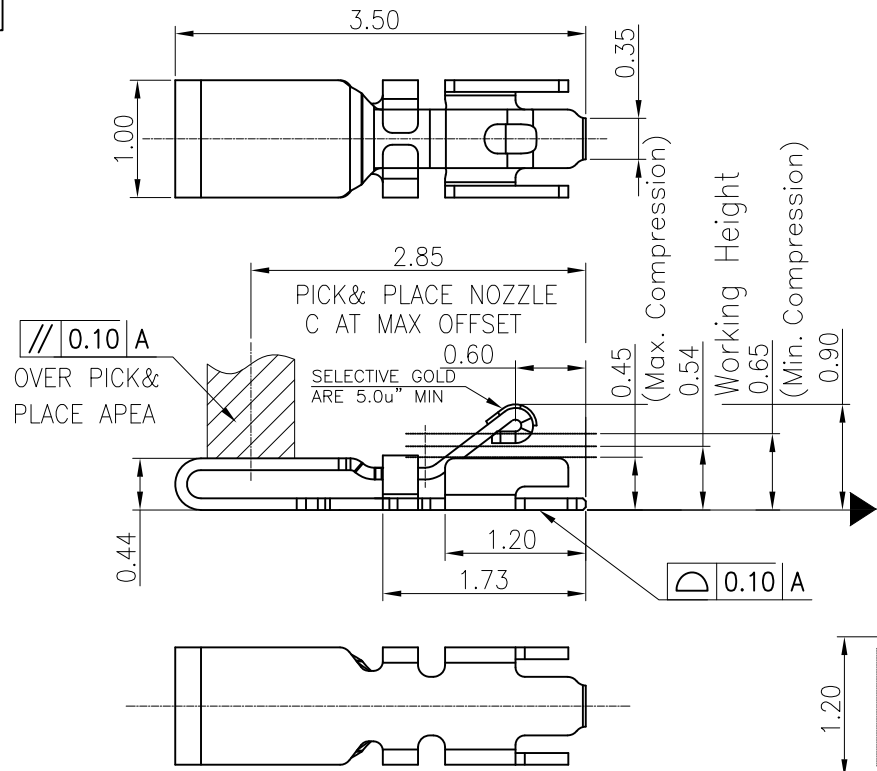


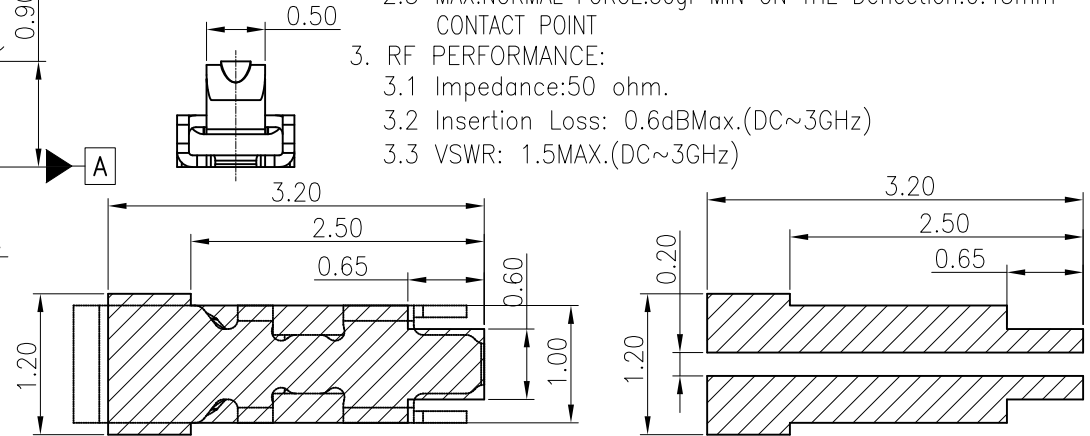
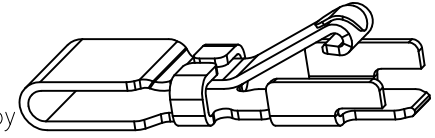
RoHS

REV	LOCAS.	DESCRIPTION	DRAW.	DATE.
01	NEW	INITIAL RELEASE.	Steven	05/18'16
02	MODIFY	STRUCTURE CHANGE	Steven	05/18'16



NOTES:

- 1.MATERIAL:
 - 1.1 Copper Alloy
- 2.SPECIALITY:
 - 2.1 Contact Resistance:30mΩ Max
 - 2.2 Operating Temperature:-20°C~+65°C
 - 2.3 MAX.NORMAL FORCE:50gf MIN ON THE Deflection:0.45mm CONTACT POINT
3. RF PERFORMANCE:
 - 3.1 Impedance:50 ohm.
 - 3.2 Insertion Loss: 0.6dBMax.(DC~3GHz)
 - 3.3 VSWR: 1.5MAX.(DC~3GHz)

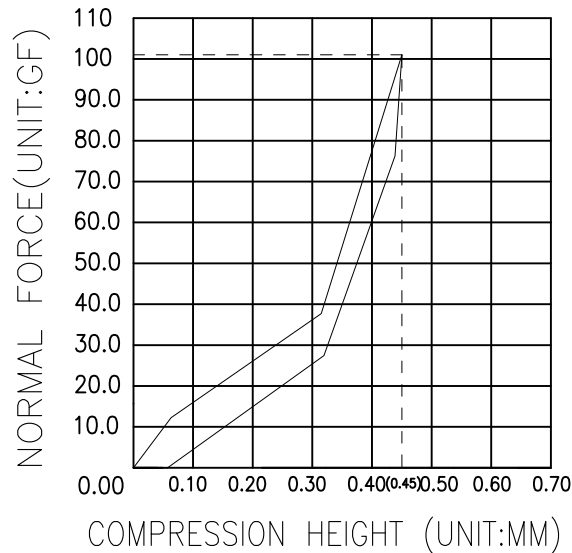


RECOMMENDED PCB LAYOUT

TOLERANCE:±0.05

RECOMMENDED METAL MASK

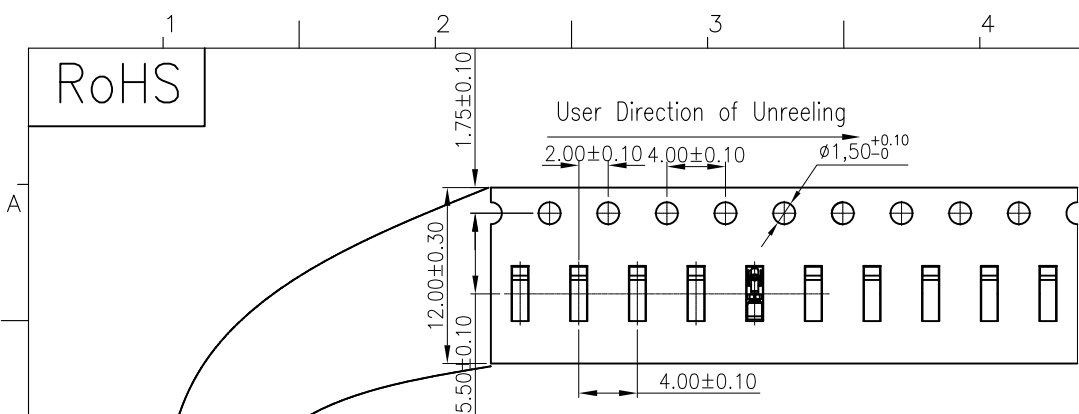
THICKNESS 0.10mm



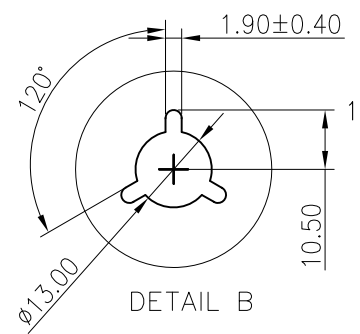
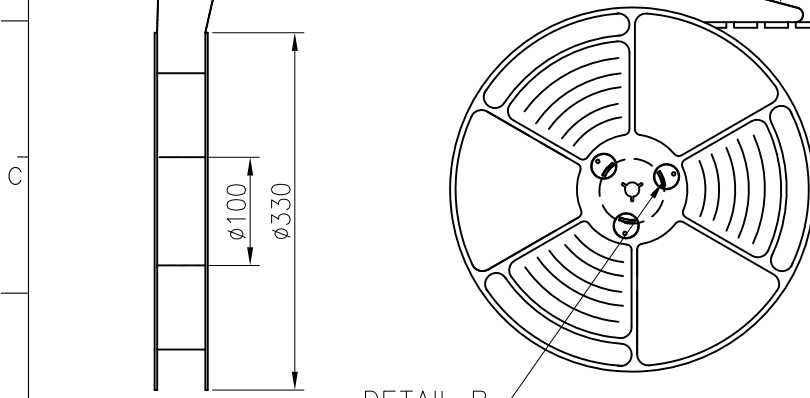
NO	Description	Dosage	Material	Color/plating
1	Termiral 1	1PC	C5240-SH, T=0.10	3u" min. gold plating at contact area 1u" min. gold plat at solder tail area 60u" min. Nickel under plating over all

MEASURE POINT: QUADRANT POINT (QP) TANGENCY POINT (TP) INTERSECTION POINT (IP)				
UNLESS OTHERWISE SPECIFIED, TOLERANCE: X. ±0.25 X.x ±0.20 X.xx ±0.15 ANGULAR ±3°				
DESING: Steven	DATE: 2016.05.18	TITLE: ANTENNA RF SPRING SMT TYPE	H:0.9mm L:3.50*1.00*0.90mm	
CHECKED: Nick.F.H	DATE: 2016.05.11	APPROVED: HaiYong.Luo	DATE: 2016.05.11	
PART NO: P-JS-TT-09	REV: 02	SCALE: 1:1	UNIT: mm	
DRAWING NO: P-JS-TT-09	SIZE: A4	SHEET: 1/2		

RoHS

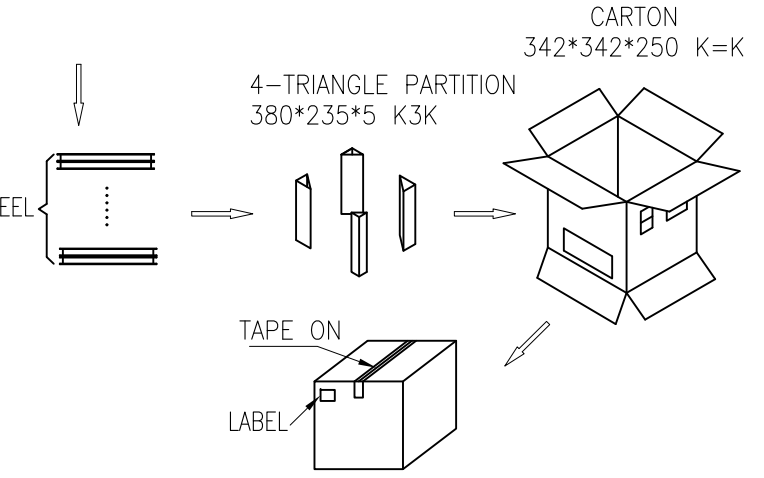


COVER TAPE PEELING ANGLE: 165°~180°
 PEELING FORCE: 20~130g
 CARRIER TAPE
 User Direction of Unreeling



NOTES

1. NUMBER OF CONNECTORS: 12000PCS/REEL
2. LEAD TAPE LENGTH
3. QUANTITY: 144000PCS/CARTON



MEASURE POINT: QUADRANT POINT (QP) TANGENCY POINT (TP) INTERSECTION POINT (IP)					
	UNLESS OTHERWISE SPECIFIED, TOLERANCE: X. ±0.25 X.X ±0.20 X.XX ±0.15 ANGULAR ±3°		DESING Steven DATE 2016.05.11 CHECKED Nick.F.H DATE 2016.05.11 APPROVED HaiYong.Luo DATE 2016.05.11	TITLE: ANTENNA RF SPRING SMT TYPE H:0.9mm L:3.50*1.00*0.90mm	
		PART NO: P-JS-TT-09	REV: 02	SCALE: 1:1	UNIT: mm
		DRAWING NO: P-JS-TT-09	SIZE: A4	SHEET: 2/2	