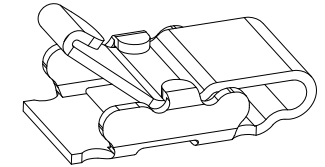
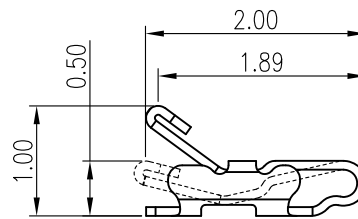
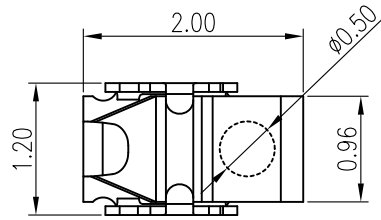


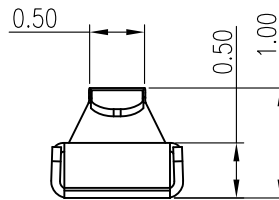
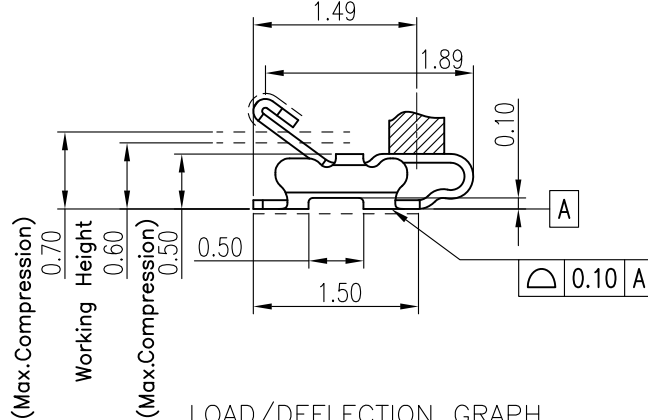
REV.	LOCAS.	DESCRIPTION	DRAW.	DATE.
01	NEW	INITIAL RELEASE.	Junly	2013.09.01
02	MODIFY	ECN1408016	Andy	2014.08.11
03	MODIFY	UPDATE THE DRAWING FRAME	Andy	2016.03.14



NOTES:

- 1.MATERIAL:
 - 1.1 Copper Alloy
- 2.SPECIALITY:
 - 2.1 Rated current:0.5A
 - 2.2 Rated voltage:12V
 - 2.1 Contact Resistance:30mΩ Max
 - 2.2 Operating Temperature:-20°C~+65°C
 - 2.3 Max. Beam Deflection:0.50mm.On Contact POINT
3. RF PERFORMANCE:
 - 3.1 Impedance:50 ohm.
 - 3.2 Insertion Loss: 0.6dBMax.(DC~3GHz)
 - 3.3 VSWR: 1.5MAX.(DC~3GHz)

PICK& PLACE NOZZLE
 φ AT MAX OFFSET



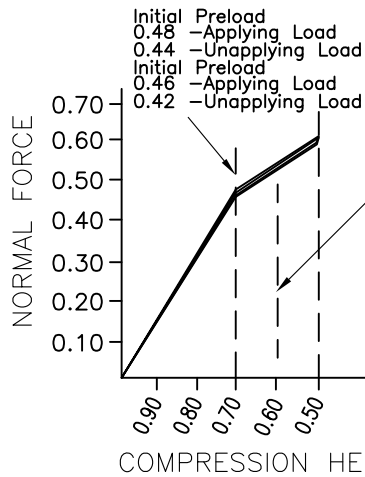
Ordering Code

P - J X - TT - 10

PLATING:

- S: CONTACT AU 3U" MIN
SOLDER AU 1U" MIN
- W: CONTACT AU 5U" MIN
SOLDER AU 1U" MIN
- Y: CONTACT AU 15U" MIN
SOLDER AU 1U" MIN

LOAD/DEFLECTION GRAPH
 MINIMUM FORCE
 TOLERANCE +0.25N / -0.0N



LOAD AT 0.50 MM HEIGHT
 INITIAL = 0.61 N (APPLYING LOAD)
 AFER 3 x REFLOW = 0.58 N

INITIAL FORCE AT 0.60MM
 COMPRESSION=
 0.55N (APPLYING LOAD)
 0.52N (UNAPPLYING LOAD)
 AFTER 3 x REFLOW =
 0.53N (APPLYING LOAD)
 0.50N (UNAPPLYING LOAD)
 INITIAL FORCE ONLY TO BE
 MONITORED BY SPC

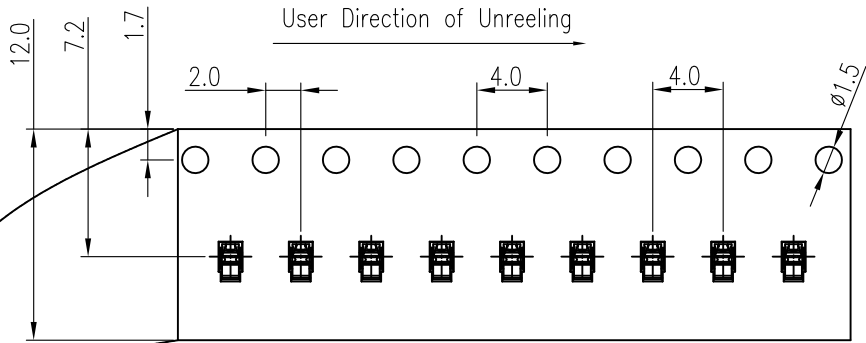
RECOMMENDED PCB LAYOUT
 TOLERANCE:±0.05

MEASURE POINT:
 QUADRANT POINT (QP)
 TANGENCY POINT (TP)
 INTERSECTION POINT (IP)



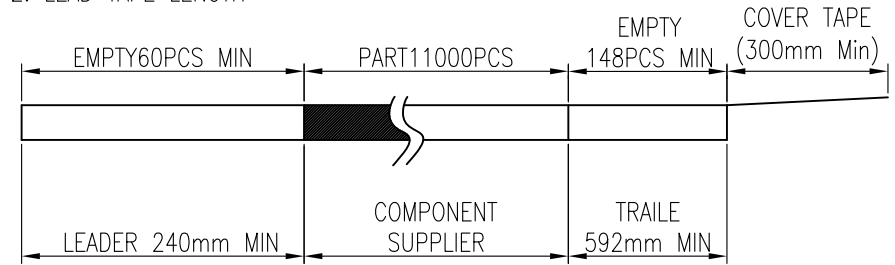
UNLESS OTHERWISE SPECIFIED, TOLERANCE: X. ±0.25 X.x ±0.20 X.xx ±0.15 ANGULAR ±3°	DESING	Alan	DATE	2016.03.14	TITLE: ANTENNA RF SPRING SMT TYPE H:1.00mm L:2.00*1.20*1.00mm			
	CHECKED	Nick.F.H	DATE	2016.03.14				
	APPROVED	HaiYong.Luo	DATE	2016.03.14				
	PART NO:	P-JS-TT-10		REV:	03	SCALE:	1:1	UNIT:
DRAWING NO:	P-JS-TT-10		SIZE:	A4	SHEET:	1/2		

RoHS



NOTES

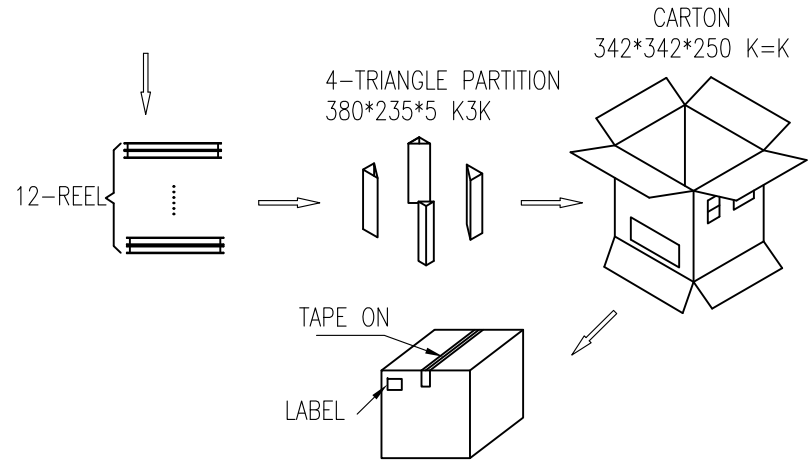
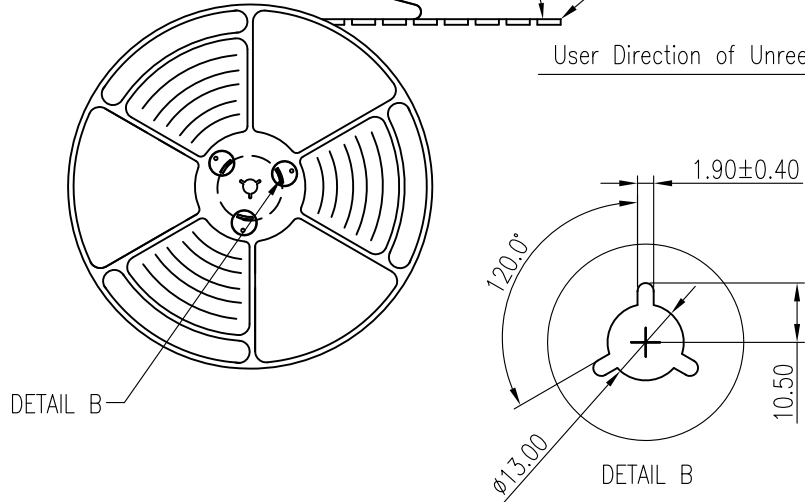
1. NUMBER OF CONNECTORS: 11000PCS/REEL
2. LEAD TAPE LENGTH



3. QUANTITY: 132000PCS/CARTON
4. WEIGHT :
 - 3.1 NET WEIGHT : 3.828Kg
 - 3.2 GROSS WEIGHT : 8.218Kg

COVER TAPE PEELING ANGLE: 165°~180°
PEELING FORCE: 20~130g

CARRIER TAPE
User Direction of Unreeling



MEASURE POINT:
 QUADRANT POINT (QP)
 TANGENCY POINT (TP)
 INTERSECTION POINT (IP)

JTS JITS
 TECHNOLOGY CO., LIMITED

UNLESS OTHERWISE SPECIFIED, TOLERANCE:
 X. ±0.25
 X.X ±0.20
 X.XX ±0.15
 ANGULAR ±3°

DESING	Alan	DATE	2016.03.14	TITLE: ANTENNA RF SPRING SMT TYPE		
CHECKED	Nick.F.H	DATE	2016.03.14	H:1.00mm L:2.00*1.20*1.00mm		
APPROVED	HaiYong.Luo	DATE	2016.03.14	REV: 03	SCALE: 1:1	UNIT: mm
PART NO:	P-JS-TT-10			REV: 03	SCALE: 1:1	UNIT: mm
DRAWING NO:	P-JS-TT-10			SIZE: A4	SHEET: 2/2	