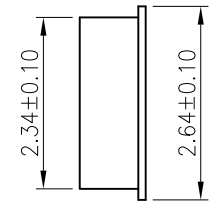
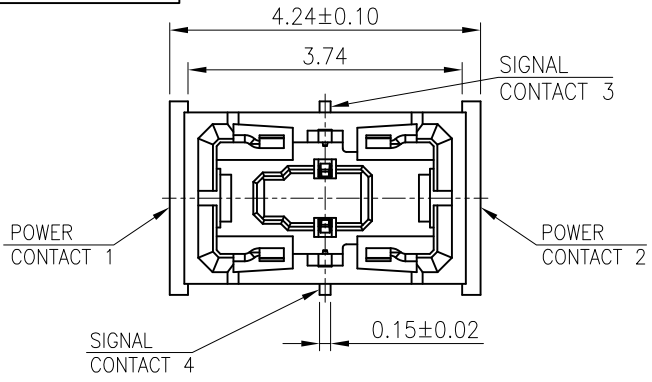
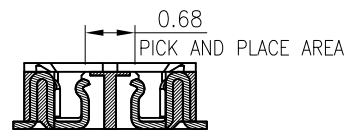
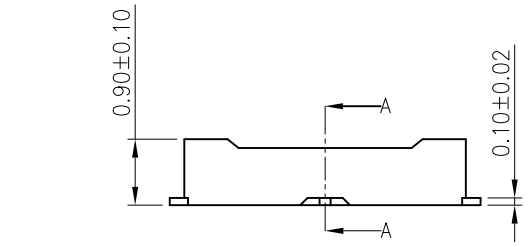
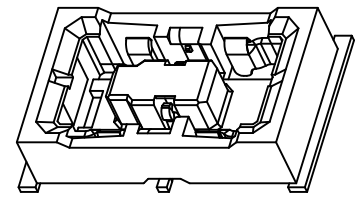
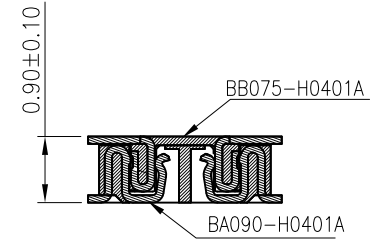


RoHS

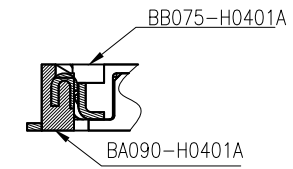
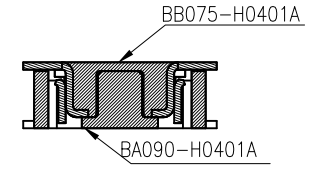
REV.	LOCAS.	DESCRIPTION	DRAW.	DATE.
A	NEW	INITIAL RELEASE.	Max	2014.01.09



BOARD TO BOARD INTERCONNECTION

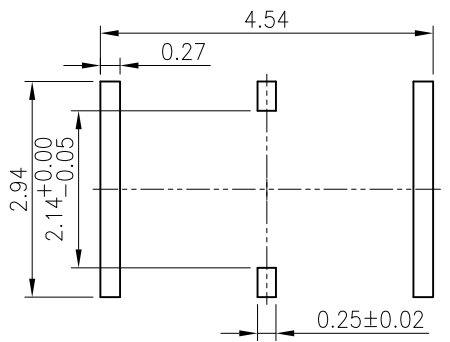


SECTION:A-A

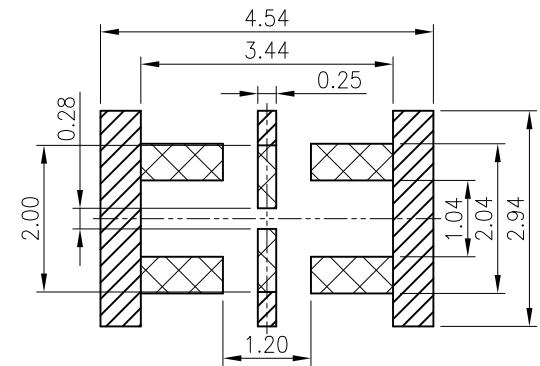


NOTES:

- MATERIAL:
HOUSING: THERMOPLASTIC,UL94V-0,COLOR:BLACK
SIGNAL CONTACT: COPPER ALLOY
POWER CONTACT: COPPER ALLOY
- FINISH:
SIGNAL CONTACT:GOLD 3u" MIN
POWER CONTACT:GOLD 3u" MIN
- PRODUCT SPECIFICATIONS:
VOLTAGE RATING: 30V
CURRENT RATING: SIGNAL CONTACT 0.3A
POWER CONTACT 4.0A
INSULATION RESISTANCE: 100MΩ MIN
CONTACT RESISTANCE: 50mΩ MAX
OPERATION TEMPERATURE: -35°C TO +85°C



RECOMMENDED METAL MASK DIMENSIONS
METAL MASK THICKNESS:0.10mm



RECOMMENDED PCB LAYOUT
GENERAL TOLERANCE ±0.05

MEASURE POINT:
QUADRANT POINT (QP)
TANGENCY POINT (TP)
INTERSECTION POINT (IP)



UNLESS OTHERWISE SPECIFIED, TOLERANCE: X.x ±0.20 X.xx ±0.15 X.xxx ±0.10 ANGULAR ±3°	DESIGN	Max	DATE	2014.01.09	TITLE: BATTERY 4PIN FEMALE BOARD TO BOARD CONNECTOR	
	CHECKED	Andy	DATE	2014.01.09		
	APPROVED	July	DATE	2014.01.09		
PART NO:	BA090-H0401A		REV:	A	SCALE: 10:1	UNIT: mm
DRAWING NO:	BA090-H0401A		SIZE:	A4	SHEET: 1/1	