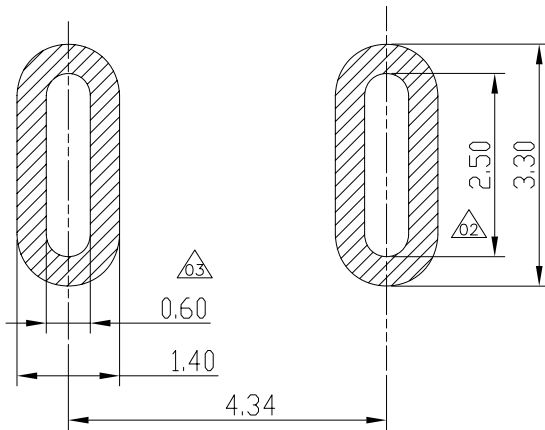
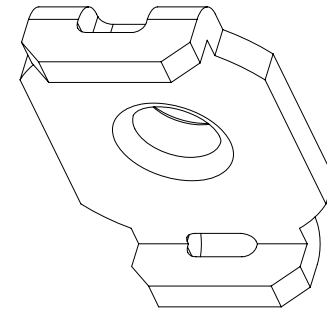
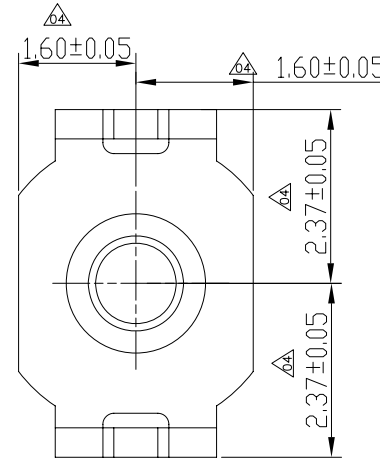
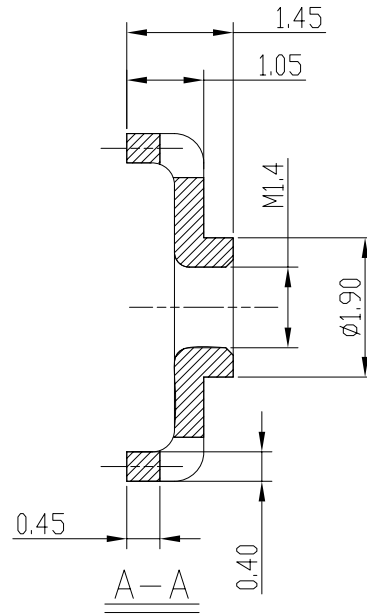
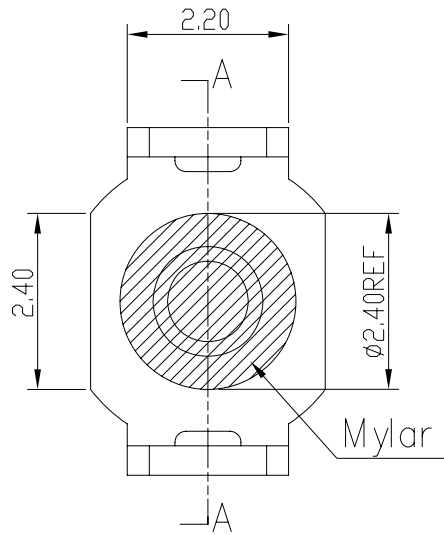


RoHS

REV.	LOCAS.	DESCRIPTION	DRAW.	DATE.
03	03	ECN201401-001	Steven	2014.01.17
04	04	ECN201401-002	Peter	2014.05.24
05	05	ECN201401-003	Alan	2014.07.22



RECOMMENDED PCB LAYOUT
TOLERANCE: ±0.05

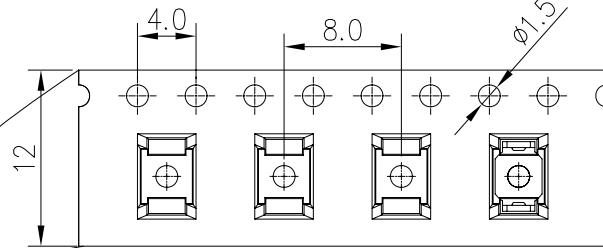
NOTES:

MATERIAL: Copper Alloy. T=0.40mm;
FINISH: MATTE Sn 100-130u'Over All, 60-100u' Nickel Underplating Over All

MEASURE POINT: QUADRANT POINT (QP) TANGENCY POINT (TP) INTERSECTION POINT (IP)				
	DESING	Alan	DATE	2014.07.22
	CHECKED	Peter	DATE	2014.07.22
	APPROVED	Junly	DATE	2014.07.22
UNLESS OTHERWISE SPECIFIED, TOLERANCE:	PART NO: ECJS-S130			TITLE: DUST HELMET T=4.74*3.20 H=1.45mm φ=M1.4mm
X. ±0.25	REV: 05			SCALE: 1:1
X.x ±0.20	DRAWING NO: ECJS-S130			UNIT: mm
X.xx ±0.15	SIZE: A4			SHEET: 1/2
ANGULAR ±3'	SHEET: 1/2			

RoHS

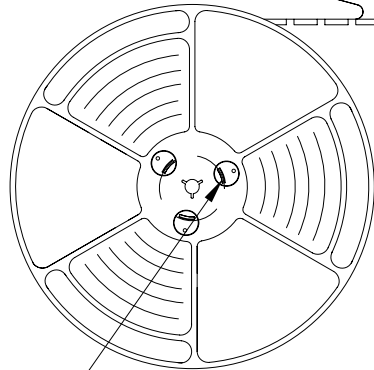
User Direction of Unreeling



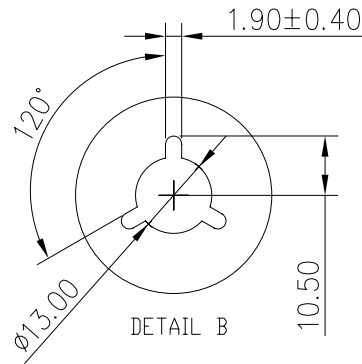
COVER TAPE PEELING ANGLE: 165°~180°
PEELING FORCE: 20~130g

CARRIER TAPE

User Direction of Unreeling

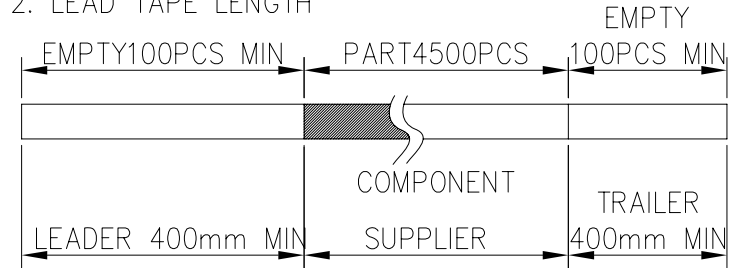


DETAIL B



NOTES

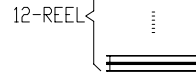
1. NUMBER OF CONNECTORS: 4500PCS/REEL
2. LEAD TAPE LENGTH



3. QUANTITY: 54000PCS/CARTON

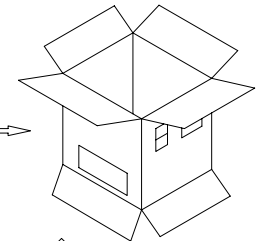
CARTON
342*342*250 K=K

4-TRIANGLE PARTITION
380*235*5 K3K



TAPE ON

LABEL



MEASURE POINT:
QUADRANT POINT (QP)
TANGENCY POINT (TP)
INTERSECTION POINT (IP)

UNLESS OTHERWISE SPECIFIED, TOLERANCE:
X. ±0.25
X.X ±0.20
X.XX ±0.15
ANGULAR ±3'

JITS JITS TECHNOLOGY CO., LIMITED

DESING	Alan	DATE	2014.07.22	TITLE:		
CHECKED	Peter	DATE	2014.07.22	DUST HELMET T=4.74*3.20		
APPROVED	Junly	DATE	2014.07.22	H=1.45mm φ=M1.4mm		
PART NO:	ECJS-S130			REV:	05	SCALE: 1:1
DRAWING NO:	ECJS-S130			UNIT:	mm	
	SIZE:	A4	SHEET:	2/2		