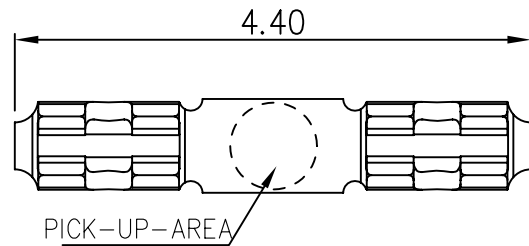
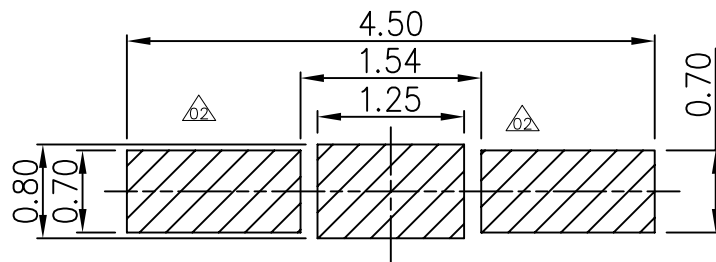
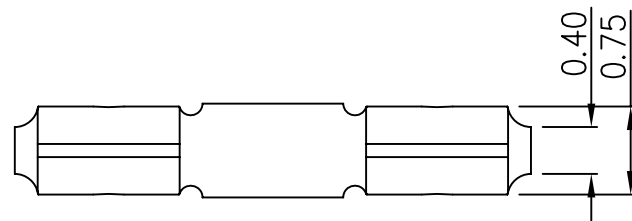
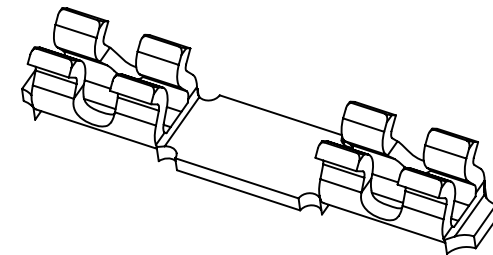
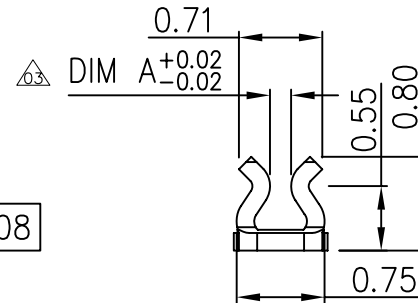
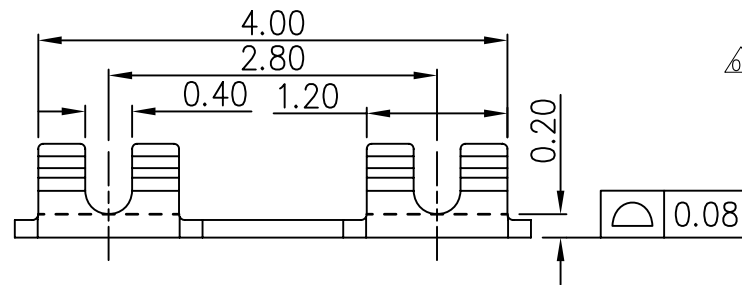


RoHS

REV.	LOCAS.	DESCRIPTION	DRAW.	DATE.
01	NEW	INITIAL RELEASE.	Junly	2011.08.26
02	$\triangle 02$	ECN201305-011	Junly	2013.05.16
03	$\triangle 03$	ECN-1407009	Alan	2014.07.04



NOTES:
MATERIAL: Stainless Steel. T=0.15mm;



RECOMMENDED PCB LAYOUT
TOLERANCE: ± 0.05

TABLE:

Part NO.	DIM A	Shield Can Thickness
JS-CL-1002A	0.165	0.20
JS-CL-1002B	0.110	0.15

MEASURE POINT:
QUADRANT POINT (QP)
TANGENCY POINT (TP)
INTERSECTION POINT (IP)

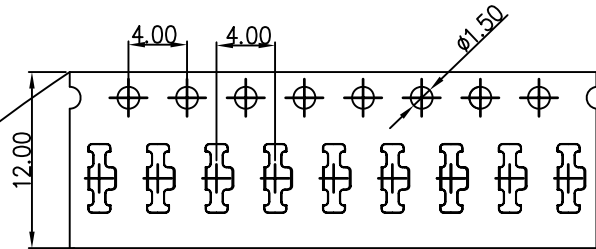
JTS JITS
TECHNOLOGY CO., LIMITED

UNLESS OTHERWISE SPECIFIED, TOLERANCE:
X. ± 0.25
X.x ± 0.20
X.xx ± 0.15
ANGULAR $\pm 3'$

DESING	Alan	DATE	2014.07.04	TITLE:	SHIELDING CASE TONGS H=0.80MM T=0.15MM*4.4MM*0.75MM			
CHECKED	Peter	DATE	2014.07.04					
APPROVED	Peter	DATE	2014.07.04					
PART NO:	JS-CL-1002X(See Table)		REV:	03	SCALE:	1:1	UNIT:	mm
DRAWING NO:	JS-CL-1002A		SIZE:	A4	SHEET:	1/2		

RoHS

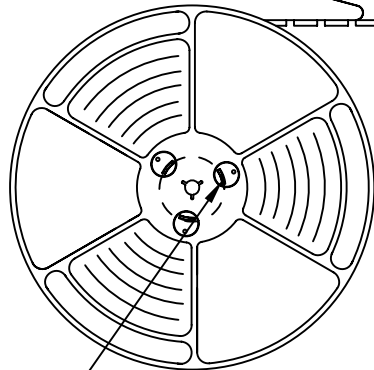
User Direction of Unreeling



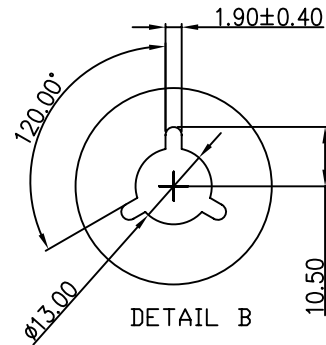
COVER TAPE PEELING ANGLE: 165°~180°
PEELING FORCE: 20~130g

CARRIER TAPE

User Direction of Unreeling



DETAIL B

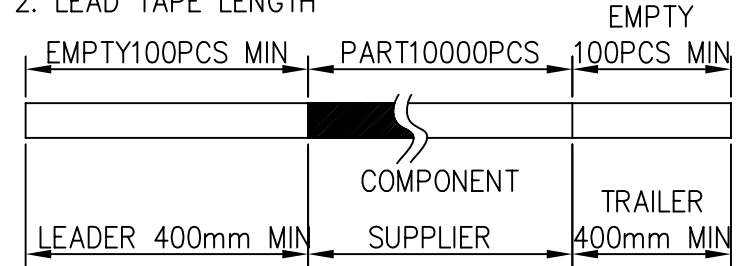


DETAIL B

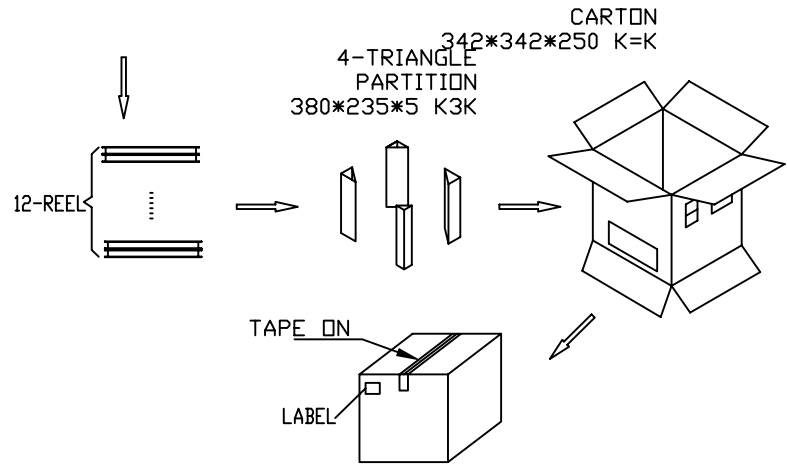
NOTES

1. NUMBER OF CONNECTORS: 10000PCS/REEL

2. LEAD TAPE LENGTH



3. QUANTITY: 120000PCS/CARTON



MEASURE POINT:
QUADRANT POINT (QP)
TANGENCY POINT (TP)
INTERSECTION POINT (IP)

JTS JITS TECHNOLOGY CO., LIMITED

UNLESS OTHERWISE SPECIFIED, TOLERANCE:
X. ±0.25
X.X ±0.20
X.XX ±0.15
ANGULAR ±3'

DESING	Alan	DATE	2014.07.04	TITLE:	SHIELDING CASE TONGS H=0.80MM T=0.15MM*4.4MM*0.75MM				
CHECKED	Peter	DATE	2014.07.04						
APPROVED	Peter	DATE	2014.07.04						
PART NO:	JS-CL-1002X(See Table)			REV:	03	SCALE:	1:1	UNIT:	mm
DRAWING NO:	JS-CL-1002A			SIZE:	A4	SHEET:	1/2		