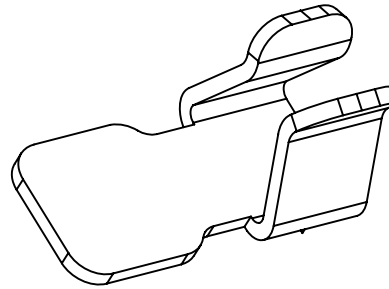
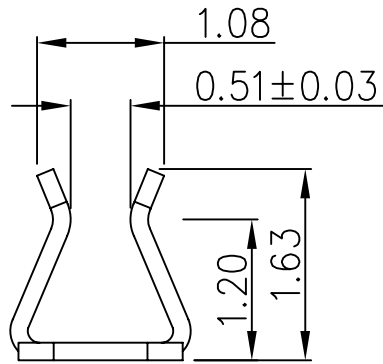
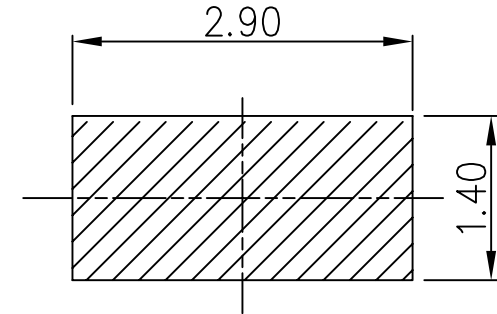
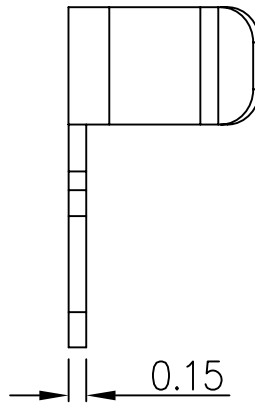
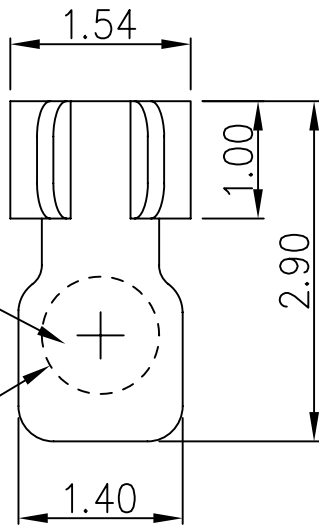


RoHS

REV.	LOCAS.	DESCRIPTION	DRAW.	DATE.
01	NEW	INITIAL RELEASE.	Junly	2011.08.26



NOTES:
MATERIAL: Stainless Steel. T=0.15mm;



RECOMMENDED PCB LAYOUT
TOLERANCE: ±0.05

MEASURE POINT: (QP)
QUADRANT POINT (QP)
TANGENCY POINT (TP)
INTERSECTION POINT (IP)

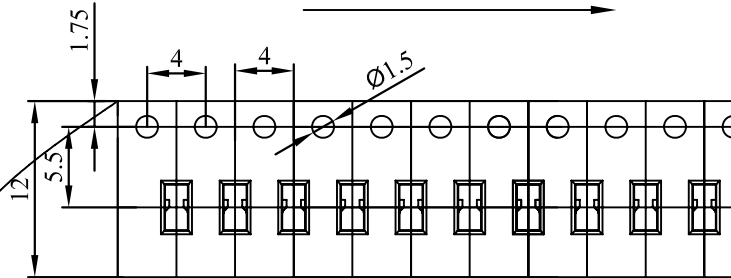


UNLESS OTHERWISE SPECIFIED, TOLERANCE:
X. ±0.25
X.x ±0.20
X.xx ±0.15
ANGULAR ±3°

DESING	Junly	DATE	2011.08.26	TITLE:	SHIELDING CASE TONGS H=1.63MM L=2.90MM*1.54MM*1.63MM
CHECKED	EV	DATE	2011.08.26	REV: 01	
APPROVED	EV	DATE	2011.08.26	SCALE: 1:1	
PART NO:	JS-CL-1004B			UNIT: mm	
DRAWING NO:	JS-CL-1004B			SIZE: A4	SHEET: 1/2

RoHS

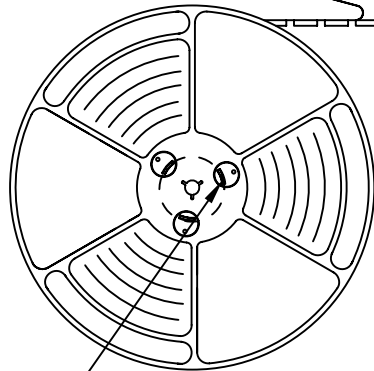
User Direction of Unreeling



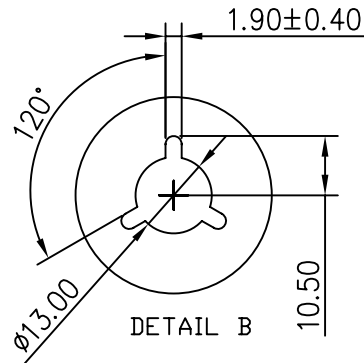
COVER TAPE PEELING ANGLE: 165°~180°
PEELING FORCE: 20~130g

CARRIER TAPE

User Direction of Unreeling



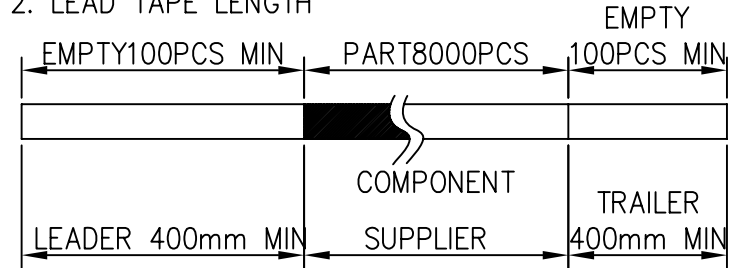
DETAIL-B



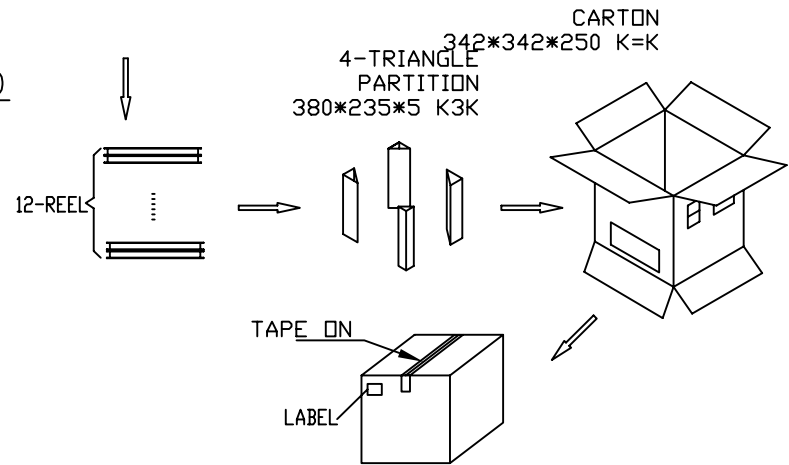
DETAIL B

NOTES

1. NUMBER OF CONNECTORS: 8000PCS/REEL
2. LEAD TAPE LENGTH



3. QUANTITY: 96000PCS/CARTON



MEASURE POINT:
QUADRANT POINT (QP)
TANGENCY POINT (TP)
INTERSECTION POINT (IP)

UNLESS OTHERWISE SPECIFIED, TOLERANCE:
X. ±0.25
X.X ±0.20
X.XX ±0.15
ANGULAR ±3°

JTS JITS TECHNOLOGY CO., LIMITED

DESING	Junly	DATE	2011.08.26	TITLE:	SHIELDING CASE TONGS H=1.63MM L=2.90MM*1.54MM*1.63MM		
CHECKED	EV	DATE	2011.08.26				
APPROVED	EV	DATE	2011.08.26				
PART NO:	JS-CL-1004B			REV:	01	SCALE:	1:1
DRAWING NO:	JS-CL-1004B			UNIT:	mm		
		SIZE:	A4	SHEET:	2/2		