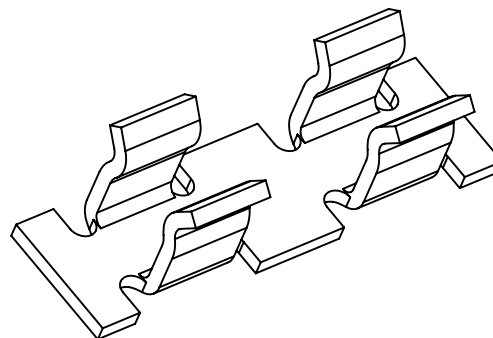
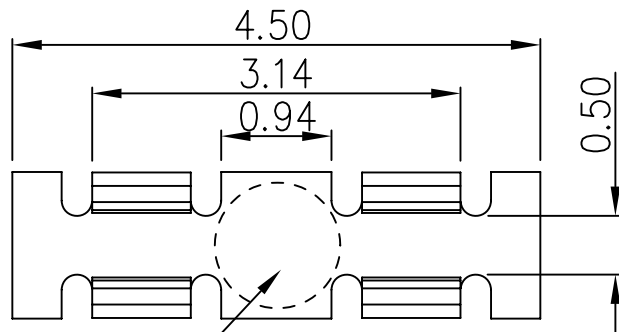


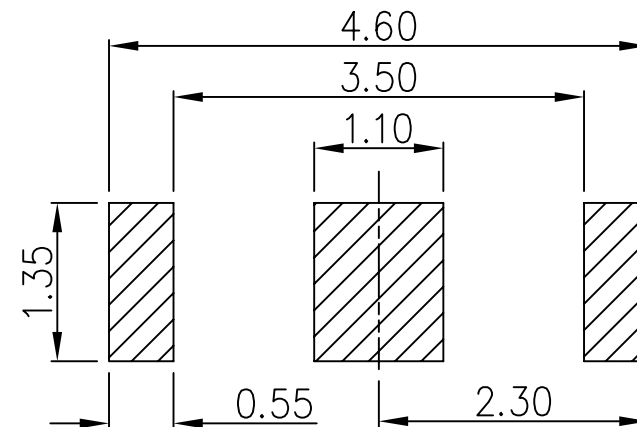
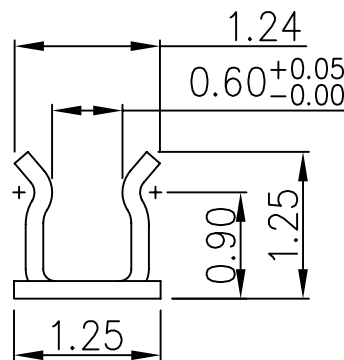
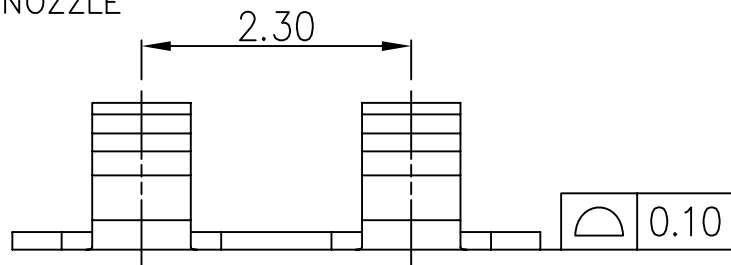
RoHS

REV.	LOCAS.	DESCRIPTION	DRAW.	DATE.
01	NEW	INITIAL RELEASE.	Steven	2014.03.25

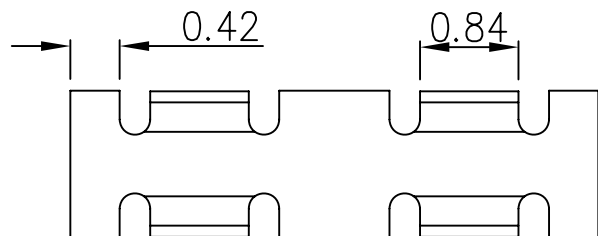


NOTES:  
MATERIAL: Stainless Steel. T=0.15mm;

PICK&PLACE  
NOZZLE



RECOMMENDED PCB LAYOUT  
TOLERANCE: ±0.05



MEASURE POINT:  
QUADRANT POINT (QP)  
TANGENCY POINT (TP)  
INTERSECTION POINT (IP)

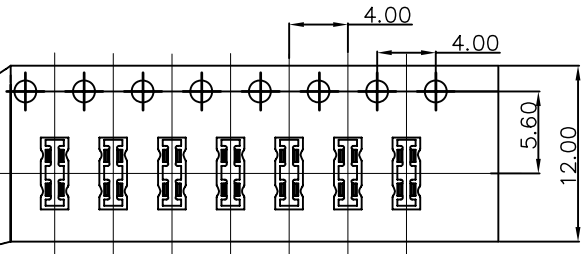


UNLESS OTHERWISE  
SPECIFIED, TOLERANCE:  
X. ±0.25  
X.x ±0.20  
X.xx ±0.15  
ANGULAR ±3°

DESING	Steven	DATE	2014.03.25	TITLE:	SHIELDING CASE TONGS H=1.25MM L=4.5MM*1.25MM*1.25MM
CHECKED	Jeff	DATE	2014.03.25		
APPROVED	Junly	DATE	2014.03.25		
PART NO:	JS-CL-1004C			REV:	01
DRAWING NO:	JS-CL-1004C			SCALE:	1:1
				UNIT:	mm
				SIZE:	A4
				SHEET:	1/2

RoHS

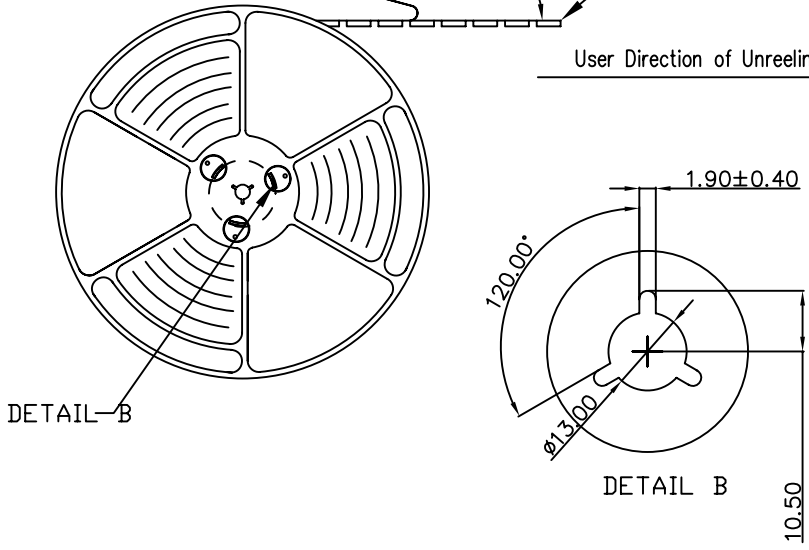
User Direction of Unreeling



COVER TAPE PEELING ANGLE: 165°~180°  
PEELING FORCE: 20~130g

CARRIER TAPE

User Direction of Unreeling

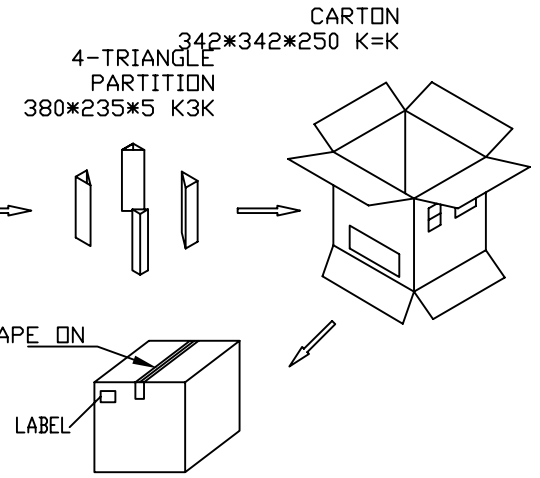
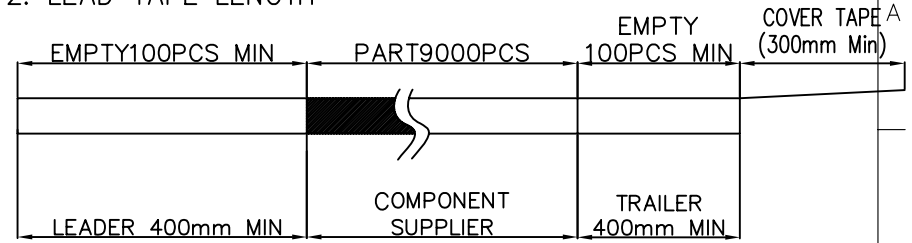


DETAIL-B

DETAIL B

NOTES

1. NUMBER OF CONNECTORS: 9000PCS/REEL
2. LEAD TAPE LENGTH



MEASURE POINT:  
 QUADRANT POINT (QP)  
 TANGENCY POINT (TP)  
 INTERSECTION POINT (IP)



UNLESS OTHERWISE SPECIFIED, TOLERANCE:  
 X. ±0.25  
 X.x ±0.20  
 X.xx ±0.15  
 ANGULAR ±3°

DESING	Steven	DATE	2014.03.25	TITLE:	SHIELDING CASE TONGS H=1.25MM L=4.5MM*1.25MM*1.25MM		
CHECKED	Jeff	DATE	2014.03.25				
APPROVED	Junly	DATE	2014.03.25				
PART NO:	JS-CL-1004C			REV:	01	SCALE:	1:1
DRAWING NO:	JS-CL-1004C			UNIT:	mm		
		SIZE:	A4	SHEET:	2/2		