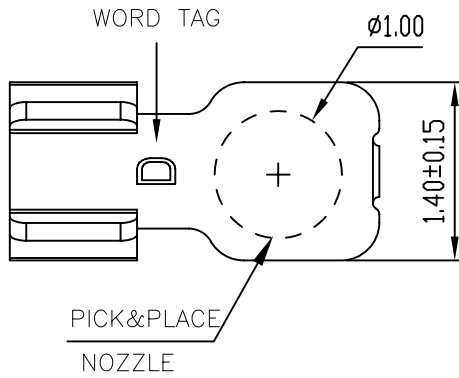
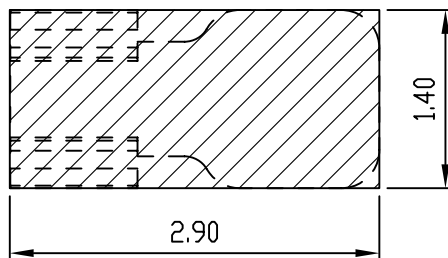
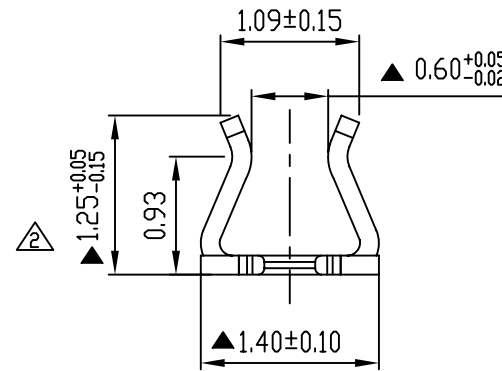
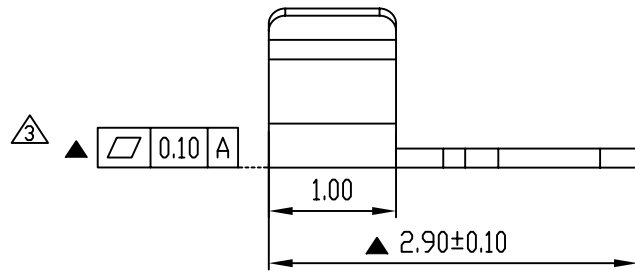
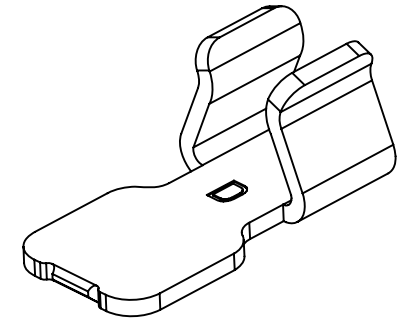


RoHS

REV.	LOCAS.	DESCRIPTION	DRAW.	DATE.
02		CHANGE THE SIZE TOLERANCE	Alan	2015.05.29
03		Increase the flatness control	Alan	2015.07.16
04		Update the drawing frame	Alan	2016.01.09



受控文件
 2016.03.06
 文控中心



RECOMMENDED PCB LAYOUT
TOLERANCE: ±0.05

NOTES:

MATERIAL: SUS 304 1/2H. T=0.15mm;

"▲" Symbol for the QIP control size

FINISH: MATTE Sn 80-120u' Over All,

60-120u' Nickel Underplating Over All

MEASURE POINT:
 QUADRANT POINT
 TANGENCY POINT
 INTERSECTION POINT

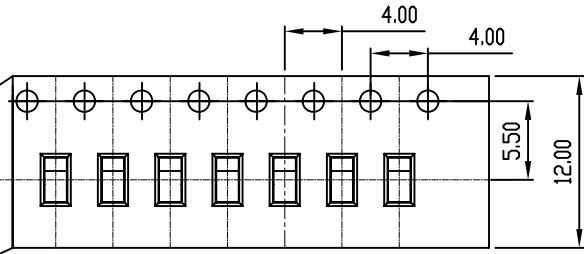


UNLESS OTHERWISE SPECIFIED, TOLERANCE:
 X. ±0.25
 X.x ±0.20
 X.xx ±0.15
 ANGULAR ±3'

DESIGN		DATE		TITLE:	SHIELDING CASE TONGS		
CHECKED		DATE		H=1.25MM T=0.15MM*2.9MM*1.4MM			
APPROVED		DATE					
PART NO: JS-CL-1004D		REV: 04	SCALE: 1:1	UNIT: mm			
DRAWING NO: JS-CL-1004D		SIZE: A4	SHEET: 1/2				

RoHS

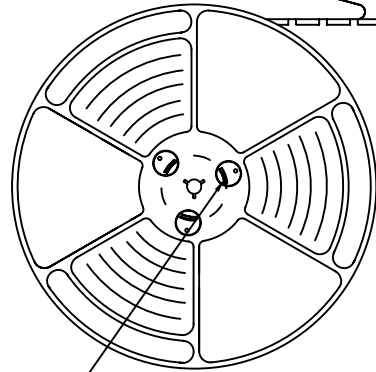
User Direction of Unreeling



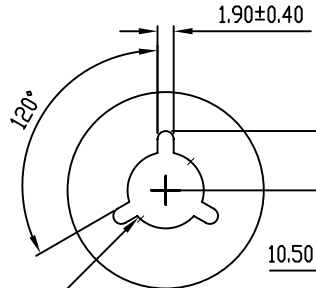
COVER TAPE PEELING ANGLE:165°~180°
PEELING FORCE:20~130g

CARRIER TAPE

User Direction of Unreeling



DETAIL B

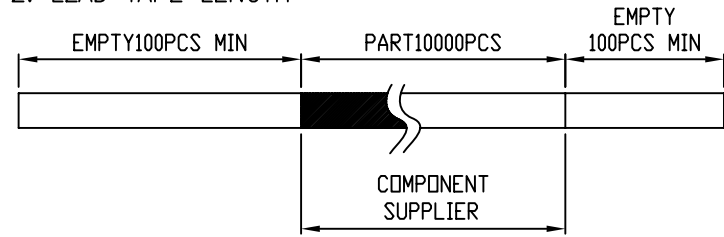


∅13.00

DETAIL B

NOTES

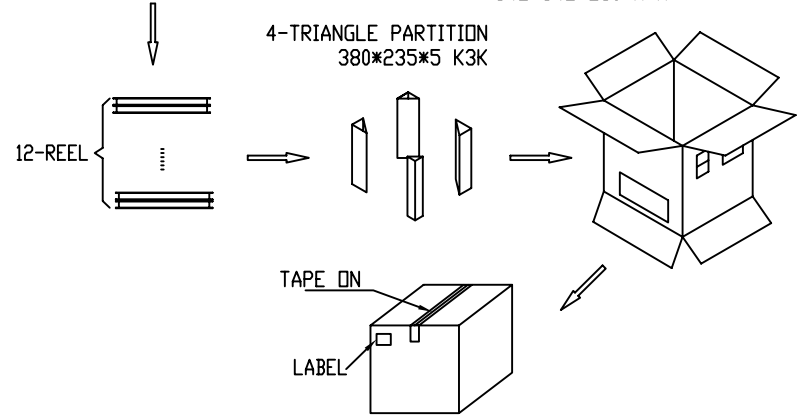
1. NUMBER OF CONNECTORS:10000PCS/REEL
2. LEAD TAPE LENGTH



3. QUANTITY:120000PCS/CARTON

受控文件
2016.03.06
文控中心

CARTON
342*342*250 K=K



MEASURE POINT:
QUADRANT POINT (QP)
TANGENCY POINT (TP)
INTERSECTION POINT (IP)

JTS JITS
TECHNOLOGY CO., LIMITED

UNLESS OTHERWISE SPECIFIED, TOLERANCE:
X. ±0.25
X.X ±0.20
X.XX ±0.15
ANGULAR ±3°

DESIGN	DATE	TITLE: SHIELDING CASE TONGS		
CHECKED	DATE	H=1.25MM T=0.15MM*2.9MM*1.4MM		
APPROVED	DATE			
PART NO: JS-CL-1004D	REV: 04	SCALE: 1:1	UNIT: mm	
DRAWING NO: JS-CL-1004D	SIZE: A4	SHEET: 2/2		