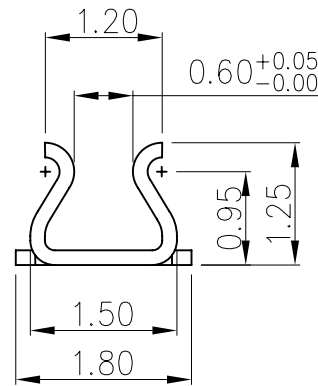
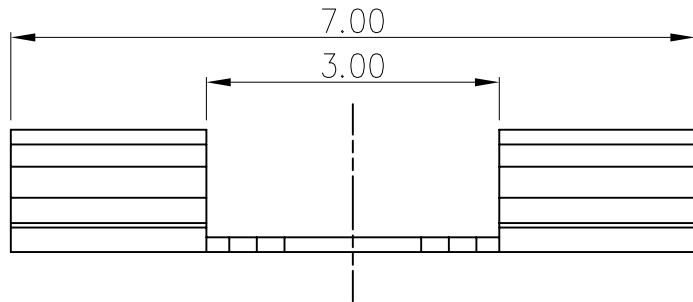
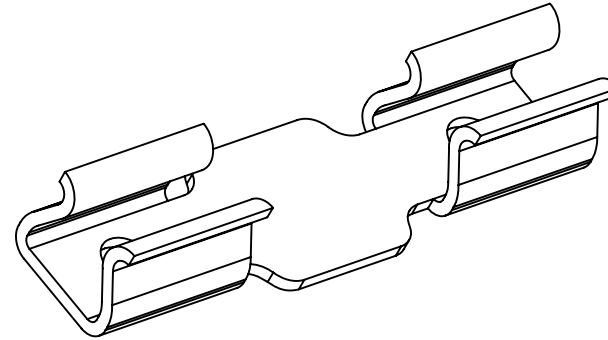
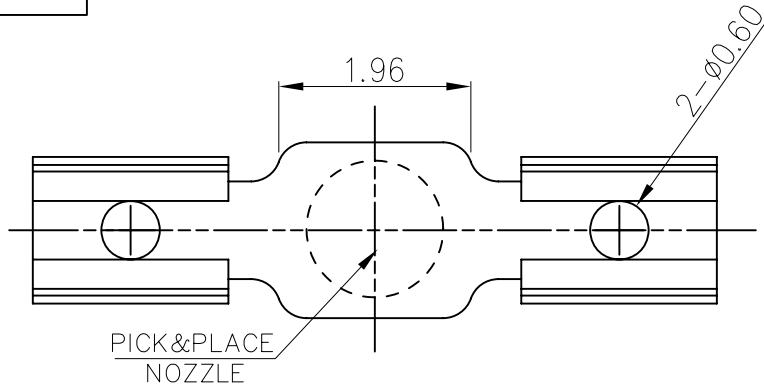
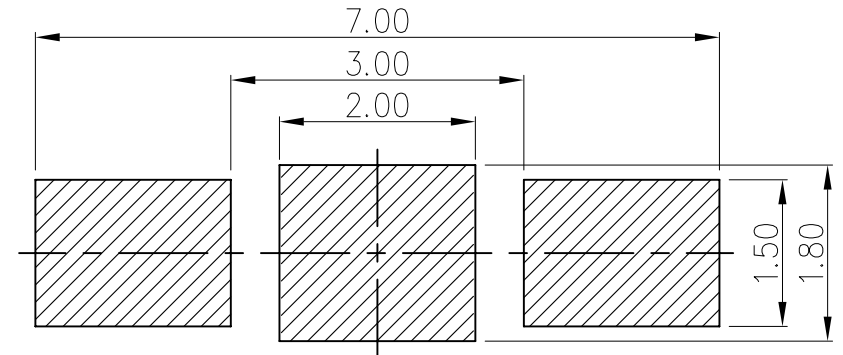


RoHS

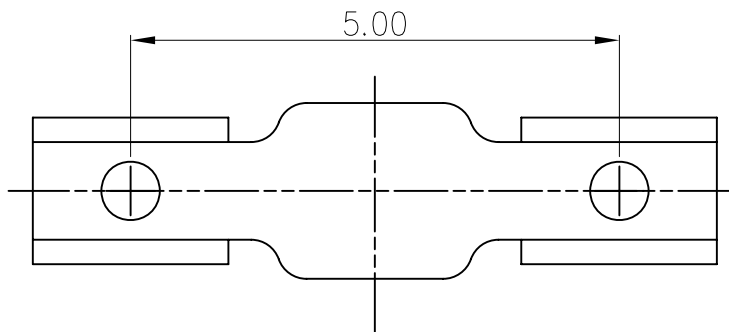
REV.	LOCAS.	DESCRIPTION	DRAW.	DATE.
01	NEW	INITIAL RELEASE.	Steven	2014.05.02



NOTES:
MATERIAL: Stainless Steel. T=0.15mm;



RECOMMENDED PCB LAYOUT
TOLERANCE: ±0.05



MEASURE POINT: (QP)
QUADRANT POINT (QP)
TANGENCY POINT (TP)
INTERSECTION POINT (IP)

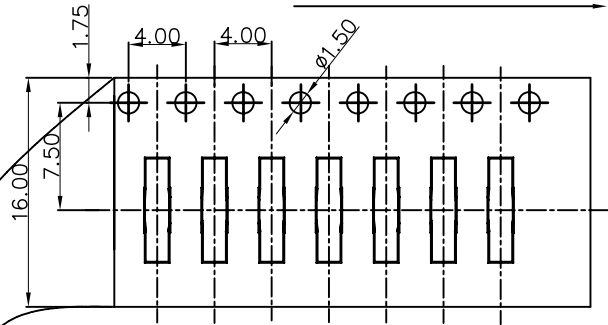


UNLESS OTHERWISE SPECIFIED, TOLERANCE:
X. ±0.25
X.x ±0.20
X.xx ±0.15
ANGULAR ±3°

DESING	Steven	DATE	2014.05.02	TITLE:	
CHECKED	Jeff	DATE	2014.05.02	SHIELDING CASE TONGS H=1.25MM	
APPROVED	Junly	DATE	2014.05.02	L=7.00MM*1.80MM*1.25MM	
PART NO:	ECJD-130-01			REV:	01
DRAWING NO:	ECJD-130-01			SCALE:	1:1
				UNIT:	mm
				SHEET:	1/1

RoHS

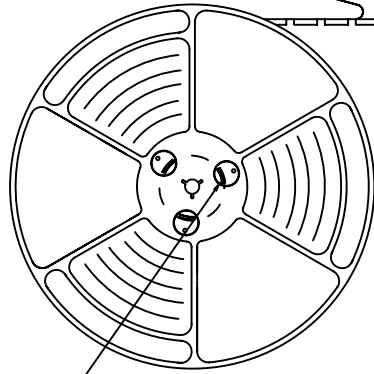
User Direction of Unreeling



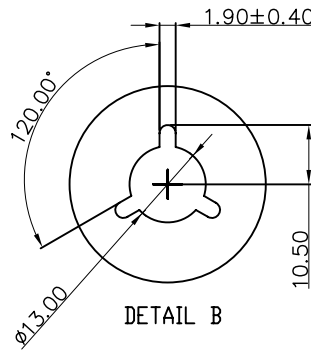
COVER TAPE PEELING ANGLE: 165°~180°
PEELING FORCE: 20~130g

CARRIER TAPE

User Direction of Unreeling



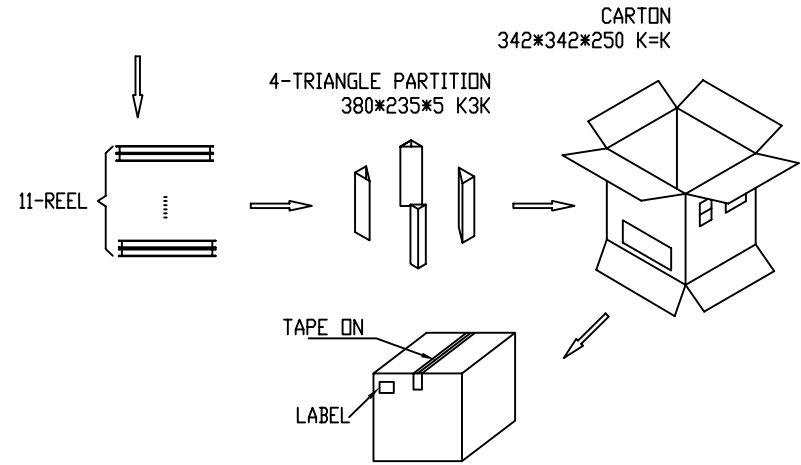
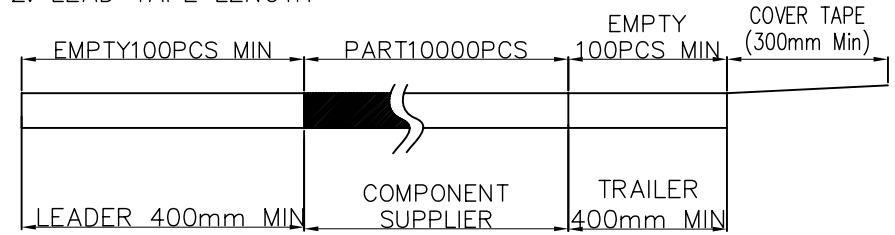
DETAIL B



DETAIL B

NOTES

1. NUMBER OF CONNECTORS: 10000PCS/REEL
2. LEAD TAPE LENGTH



MEASURE POINT:
 QUADRANT POINT (QP)
 TANGENCY POINT (TP)
 INTERSECTION POINT (IP)



UNLESS OTHERWISE SPECIFIED, TOLERANCE:
 X. ±0.25
 X.X ±0.20
 X.XX ±0.15
 ANGULAR ±3°

DESING	Steven	DATE	2014.05.02	TITLE:		
CHECKED	Jeff	DATE	2014.05.02	SHIELDING CASE TONGS H=1.25MM		
APPROVED	Junly	DATE	2014.05.02	L=7.00MM*1.80MM*1.25MM		
PART NO:	ECJD-130-01			REV:	01	SCALE: 1:1
DRAWING NO:	ECJD-130-01			UNIT:	mm	
	SIZE:	A4		SHEET:	1/1	