

1 2 3 4 5 6 7

A

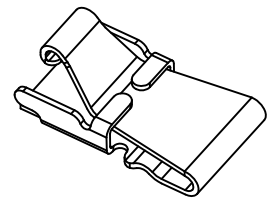
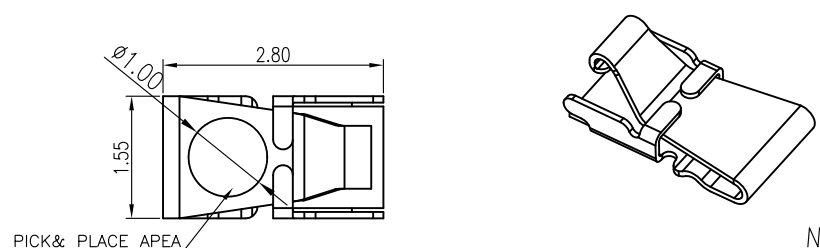
B

C

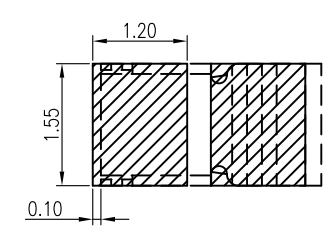
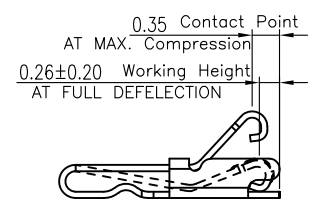
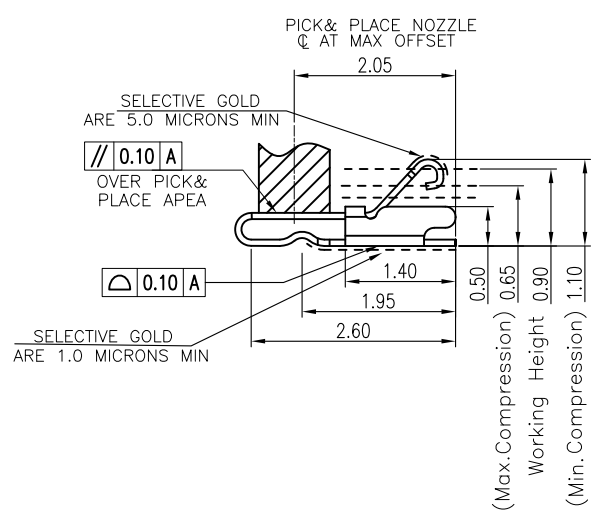
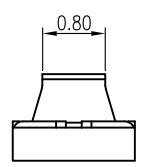
D

E

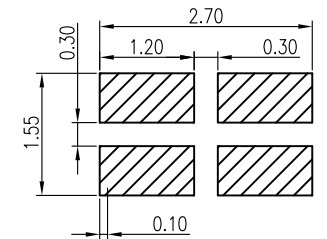
REV.	LOCAS.	DESCRIPTION	DRAW.	DATE.
3	MODIFY	N01312003	Andy	2013.12.13
4	MODIFY	ECN1408016	Andy	2014.08.07
5	MODIFY	UPDATE THE DRAWING FRAME	Alan	2016.02.23



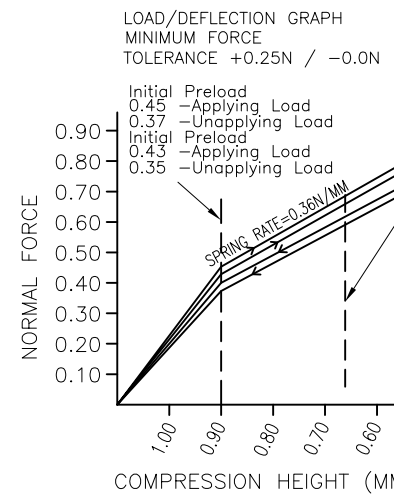
- NOTES:
- MATERIAL:
 - Copper Alloy
 - SPECIALITY:
 - Contact Resistance: 30mΩ Max
 - Operating Temperature: -20°C ~ +70°C
 - Max. Beam Deflection: 0.5mm. On Contact POINT
 - RF PERFORMANCE:
 - Impedance: 50 ohm.
 - Insertion Loss: 0.6dB Max. (DC ~ 3GHz)
 - VSWR: 1.5 MAX. (DC ~ 3GHz)



RECOMMENDED PCB LAYOUT
TOLERANCE: ±0.05



RECOMMENDED METAL MASK
THICKNESS 0.10mm

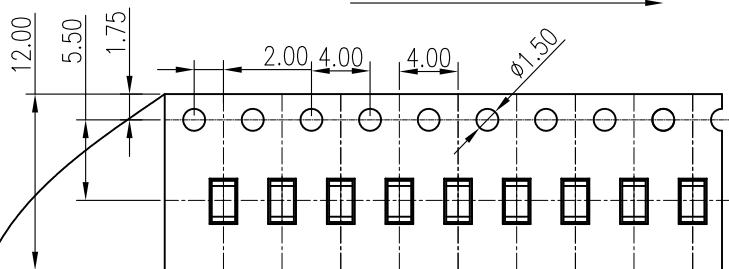


- P-JX-29B11
- S: 1U" MIN AU ON SOLDERING AREA
 - U: 5U" MIN AU ON CONTACT AREA
 - T: 15U" MIN AU ON CONTACT AREA
 - Y: 3U" MIN AU ON SOLDERING AREA

1	Termiral 1	1PC	C5210-EH,T=0.08	Contact Au: 3u",platingAu: 1u",Ni: 60u"min			
NO	Description	Dosage	Material	Color/plating			
MEASURE POINT: QUADRANT POINT (QP) TANGENCY POINT (TP) INTERSECTION POINT (IP)							
UNLESS OTHERWISE SPECIFIED, TOLERANCE:					DESING: Alan	DATE: 2016.02.23	TITLE: ANTENNA RF SPRING SMT TYPE
X: ±0.25	X.x: ±0.20				CHECKED: Nick.F.H	DATE: 2016.02.23	H: 1.10mm L: 2.80*1.55*1.10mm
X.xx: ±0.15	ANGULAR: ±3'	APPROVED: HaiYong.Luo	DATE: 2016.02.23				
		PART NO: P-JS-29B11	REV: 05	SCALE: 1:1	UNIT: mm		
		DRAWING NO: P-JS-29B11	SIZE: A4	SHEET: 1/2			

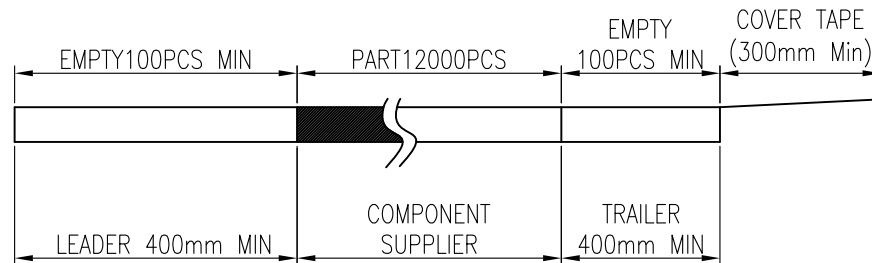
RoHS

User Direction of Unreeling



NOTES

- 1. NUMBER OF CONNECTORS: 12000PCS/REEL
- 2. LEAD TAPE LENGTH



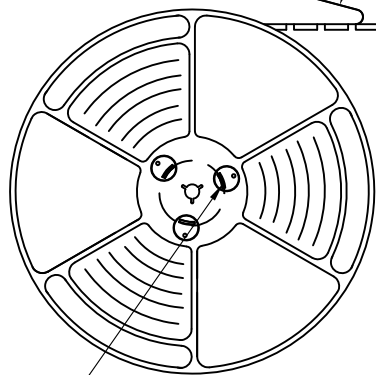
COVER TAPE PEELING ANGLE: 165°~180°

PEELING FORCE: 20~130g

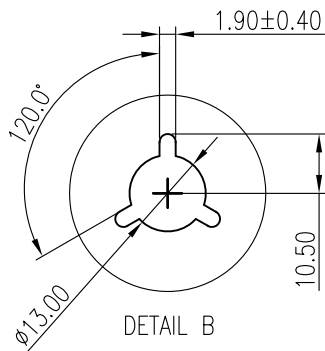
CARRIER TAPE

3. QUANTITY: 144000PCS/CARTON

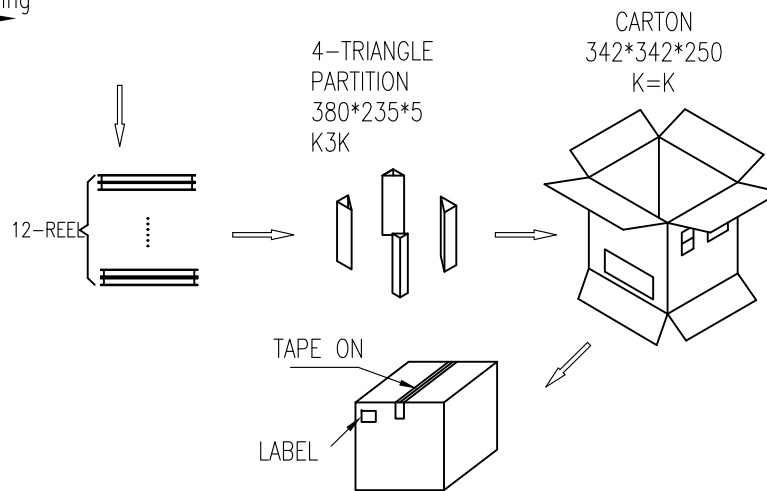
User Direction of Unreeling



DETAIL B



DETAIL B



MEASURE POINT:
 QUADRANT POINT (QP)
 TANGENCY POINT (TP)
 INTERSECTION POINT (IP)



UNLESS OTHERWISE SPECIFIED, TOLERANCE:
 X. ±0.25
 X.X ±0.20
 X.XX ±0.15
 ANGULAR ±3°

DESIGN	Alan	DATE	2016.03.15	TITLE: METAL MESH SPRING H=0.70MM				
CHECKED	Nick.F.H	DATE	2016.03.15					
APPROVED	HaiYong.Luo	DATE	2016.03.15					
PART NO:	P-JK-TT-07		REV:	2	SCALE:	1:1	UNIT:	mm
DRAWING NO:	P-JK-TT-07		SIZE:	A4	SHEET:	2/2		