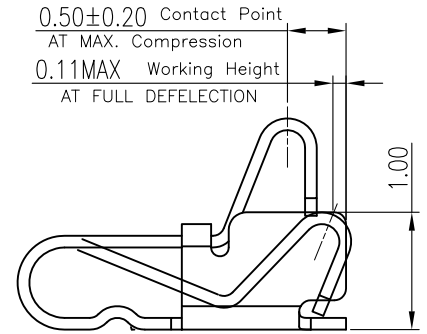
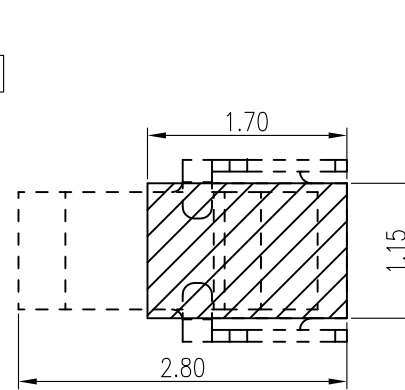
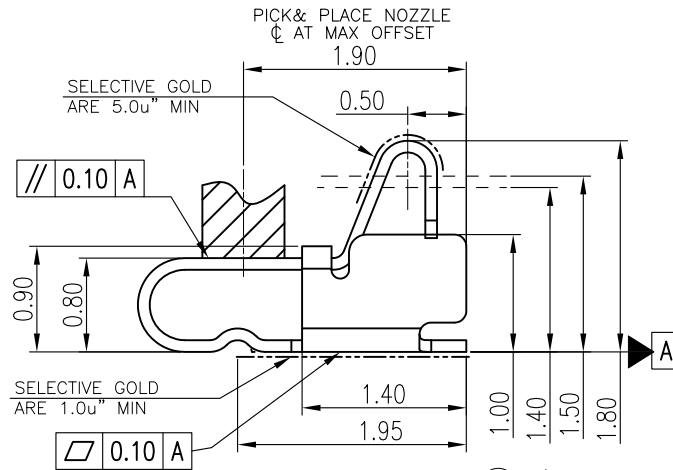
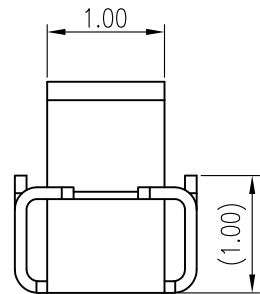
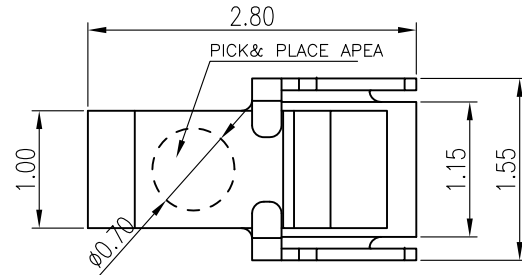
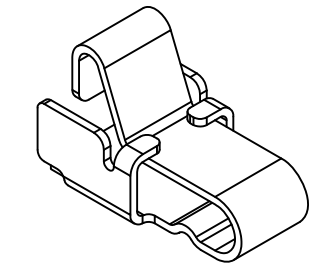


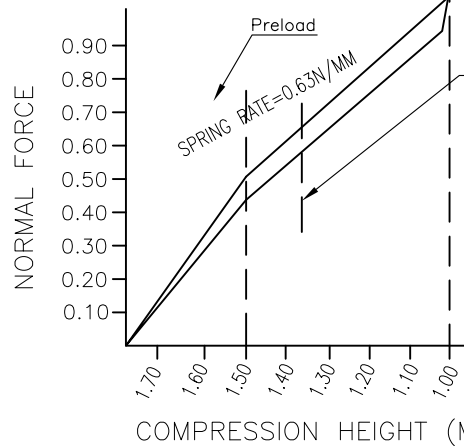
REV.	LOCAS.	DESCRIPTION	DRAW.	DATE.
01	NEW	INITIAL RELEASE.	Junly	2013.03.07
02	MODIFY	ECN-1408016	Andy	2014.08.13
03	MODIFY	UPDATE THE DRAWING FRAME	Alan	2016.03.16

NOTES:

- 1.MATERIAL:
  - 1.1 Copper Alloy
- 2.SPECIALITY:
  - 2.1 Contact Resistance:30mΩ Max
  - 2.2 Operating Temperature:-20°C~+70°C
  - 2.3 Max. Beam Deflection:0.80mm.On Contact POINT
3. RF PERFORMANCE:
  - 3.1 Impedance:50 ohm.
  - 3.2 Insertion Loss: 0.6dBMax.(DC~3GHz)
  - 3.3 VSWR: 1.5MAX.(DC~3GHz)



LOAD/DEFLECTION GRAPH  
MINIMUM CONTACT FORCES SHOWN  
TOLERANCE +0.25N / -0.0N



LOAD AT 1.00 MM HEIGHT  
INITIAL = 1.05 N (APPLYING LOAD)  
AFER 3 x REFLOW = 0.98 N

INITIAL FORCE AT 1.40MM  
COMPRESSION=  
0.69N (APPLYING LOAD)  
0.67N (UNAPPLYING LOAD)  
AFTER 3 x REFLOW =  
0.66N (APPLYING LOAD)  
0.58N (UNAPPLYING LOAD)  
INITIAL FORCE ONLY TO BE  
MONITORED BY SPC

Initial Preload  
0.45 -Applying Load  
0.38 -Unapplying Load  
Initial Preload  
0.43 -Applying Load  
0.35 -Unapplying Load

(Max.Compression)  
Working Height  
(Min.Compression)

RECOMMENDED PCB LAYOUT  
TOLERANCE:±0.05

MEASURE POINT:  
QUADRANT POINT (QP)  
TANGENCY POINT (TP)  
INTERSECTION POINT (IP)

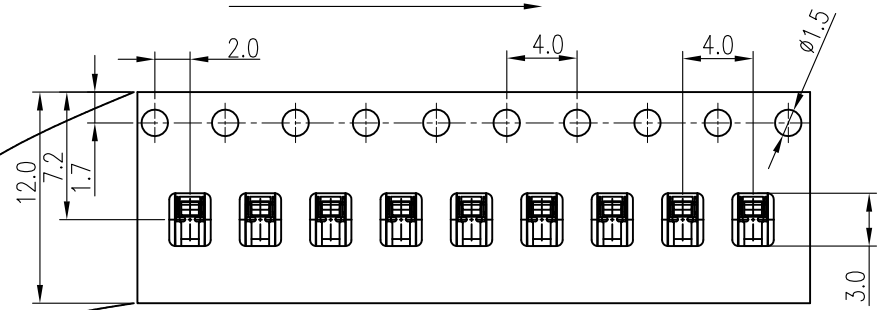


UNLESS OTHERWISE  
SPECIFIED, TOLERANCE:  
X.x ±0.20  
X.xx ±0.15  
X.xxx ±0.10  
ANGULAR ±3°

DESING	Alan	DATE	2016.03.16	TITLE:	
CHECKED	Nick.F.H	DATE	2016.03.16	ANTENNA RF SPRING SMT TYPE	
APPROVED	HaiYong.Luo	DATE	2016.03.16	H:1.80mm L:2.80*1.55*1.80mm	
PART NO:	P-JS-TTC18		REV:	03	SCALE: 16:1
DRAWING NO:	P-JS-TTC18		SIZE:	A4	SHEET: 1/2
			UNIT:	mm	

RoHS

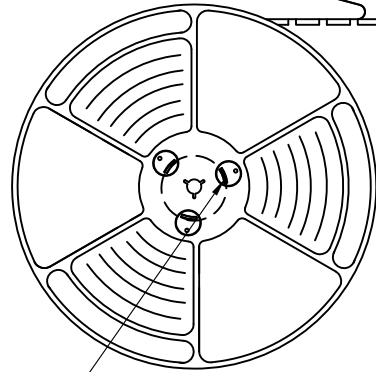
User Direction of Unreeling



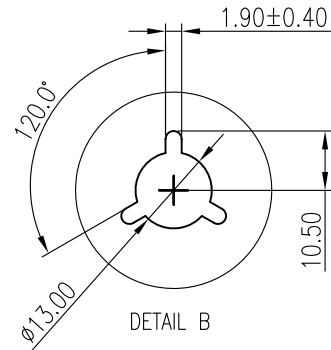
COVER TAPE PEELING ANGLE: 165°~180°  
PEELING FORCE: 20~130g

CARRIER TAPE

User Direction of Unreeling

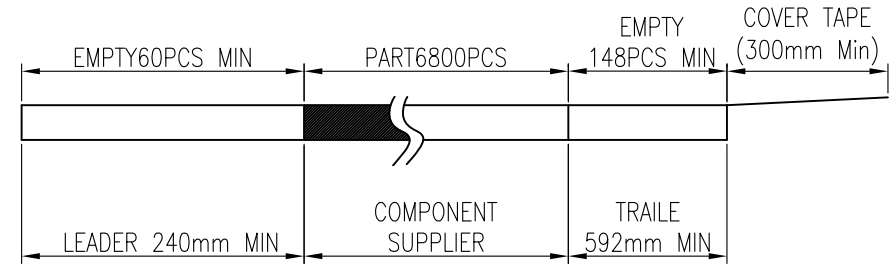


DETAIL B

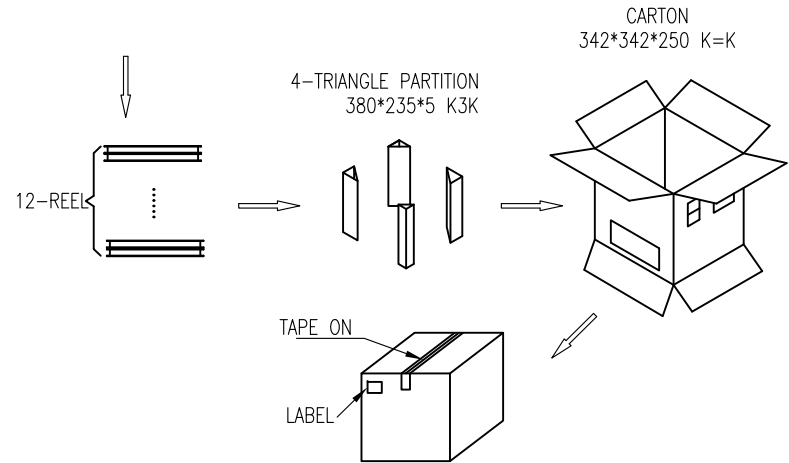


NOTES

1. NUMBER OF CONNECTORS: 6800PCS/REEL
2. LEAD TAPE LENGTH



3. QUANTITY: 81600PCS/CARTON
4. WEIGHT :
  - 3.1 NET WEIGHT : 3.337Kg
  - 3.2 GROSS WEIGHT : 6.341Kg



MEASURE POINT:  
 QUADRANT POINT (QP)  
 TANGENCY POINT (TP)  
 INTERSECTION POINT (IP)

UNLESS OTHERWISE SPECIFIED, TOLERANCE:  
 X ±0.25  
 X.X ±0.20  
 X.XX ±0.15  
 ANGULAR ±3°



DESING	Alan	DATE	2016.03.16	TITLE:		
CHECKED	Nick.F.H	DATE	2016.03.16	ANTENNA RF SPRING SMT TYPE		
APPROVED	HaiYong.Luo	DATE	2016.03.16	H:1.80mm L:2.80*1.55*1.80mm		
PART NO:	P-JS-TTC18		REV:	03	SCALE:	1:1
DRAWING NO:	P-JS-TTC18		SIZE:	A4	SHEET:	2/2
			UNIT:	mm		