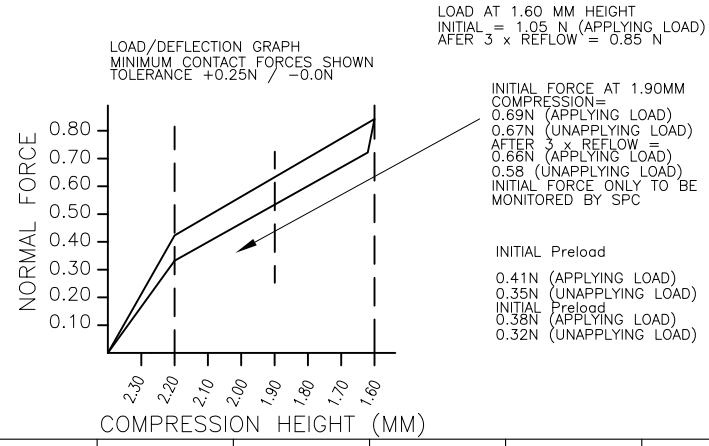
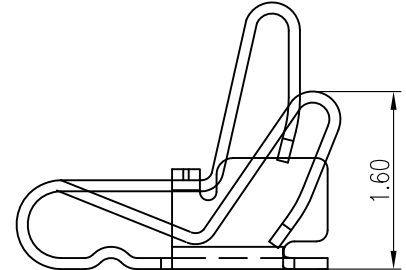
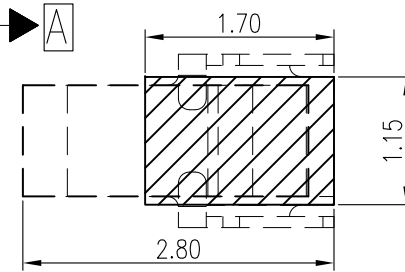
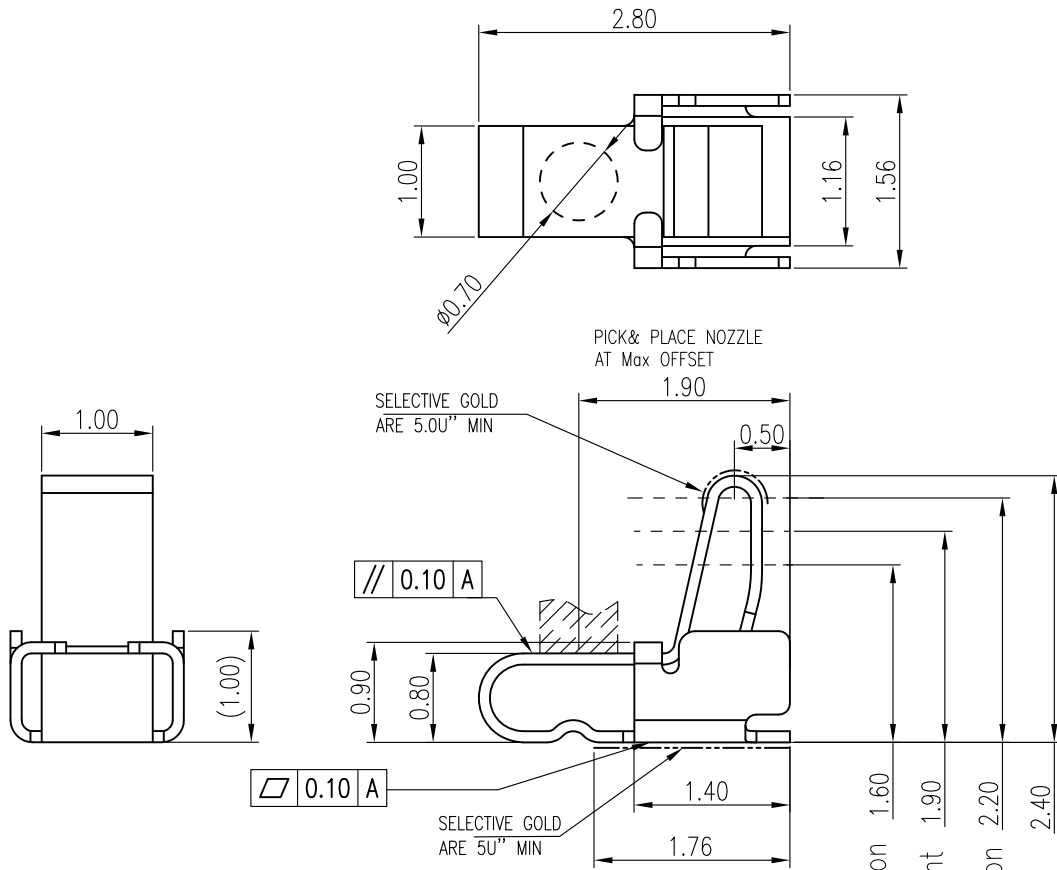
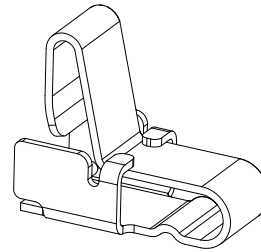


REV.	LOCAS.	DESCRIPTION	DRAW.	DATE.
02	MODIFY	N01312010	Andy	2013.12.29
03	MODIFY	ECN-1408016	Andy	2014.08.11
04	MODIFY	UPDATE THE DRAWING FRAME	Alan	2016.03.16

NOTES:

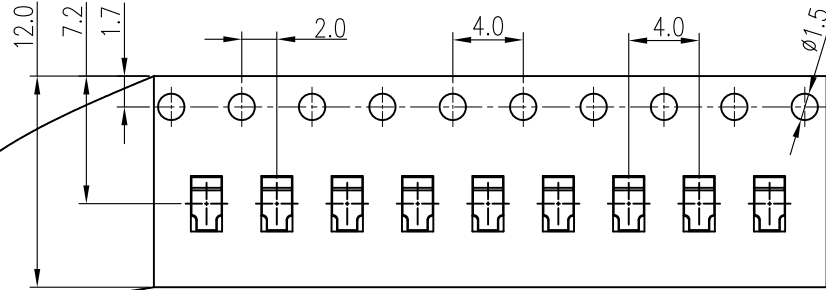
- 1.MATERIAL:
 - 1.1 Copper Alloy
- 2.SPECIALITY:
 - 2.1 Contact Resistance:30mΩ Max
 - 2.2 Operating Temperature:-20°C~+70°C
 - 2.3 Max. Beam Deflection:0.8mm.On Contact POINT
3. RF PERFORMANCE:
 - 3.1 Impedance:50 ohm.
 - 3.2 Insertion Loss: 0.6dBMax.(DC~3GHz)
 - 3.3 VSWR: 1.5MAX.(DC~3GHz)



MEASURE POINT: QUADRANT POINT (QP) TANGENCY POINT (TP) INTERSECTION POINT (IP)			DESING	Alan	DATE	2016.03.16	TITLE:	
			CHECKED	Nick.F.H	DATE	2016.03.16	ANTENNA RF SPRING SMT TYPE	
	APPROVED	HaiYong.Luo	DATE	2016.03.16	H:2.40mm L:2.80*1.55*2.40mm		REV:	04
	UNLESS OTHERWISE SPECIFIED, TOLERANCE:	X.x	±0.20	PART NO:		P-JS-TT-24		SCALE:
	X.xx	±0.15	DRAWING NO:		P-JS-TT-24		UNIT:	mm
	X.xxx	±0.10	REV:		04		SHEET:	1/2
	ANGULAR	±3'	SIZE:		A4			

RoHS

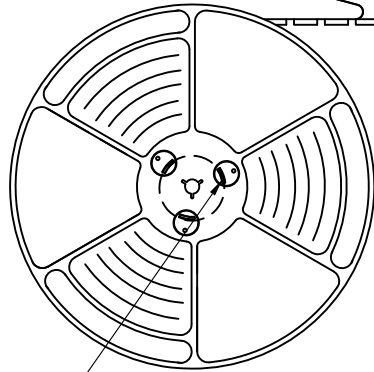
User Direction of Unreeling



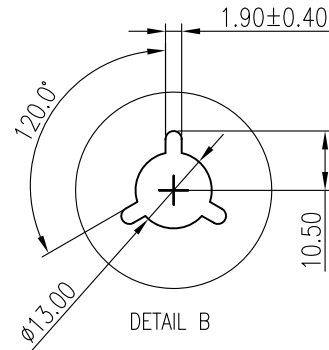
COVER TAPE PEELING ANGLE: 165°~180°
PEELING FORCE: 20~130g

CARRIER TAPE

User Direction of Unreeling



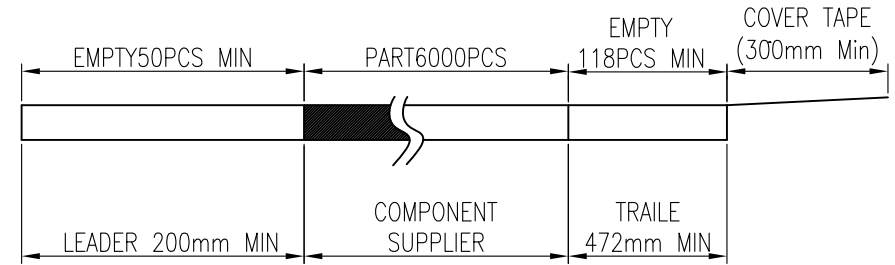
DETAIL B



DETAIL B

NOTES

1. NUMBER OF CONNECTORS: 6000PCS/REEL
2. LEAD TAPE LENGTH

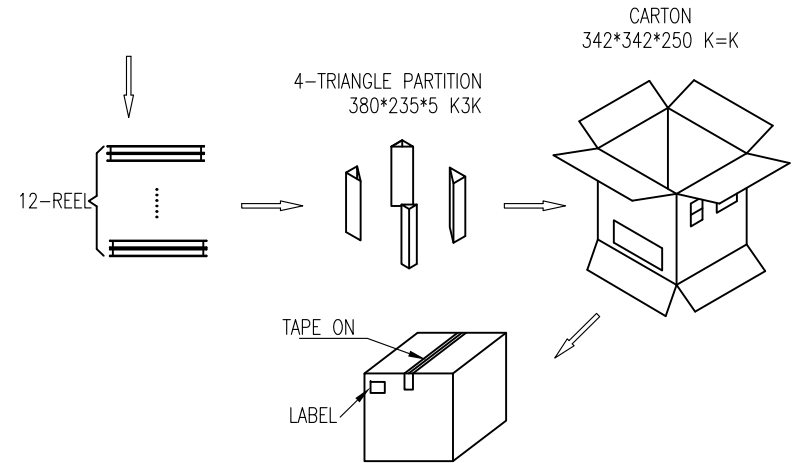


3. QUANTITY: 72000PCS/CARTON

4. WEIGHT :

3.1 NET WEIGHT : 3.204Kg

3.2 GROSS WEIGHT : 5.944Kg



MEASURE POINT:
QUADRANT POINT (QP)
TANGENCY POINT (TP)
INTERSECTION POINT (IP)

JITS JITS
TECHNOLOGY CO., LIMITED

UNLESS OTHERWISE SPECIFIED, TOLERANCE:
X. ±0.25
X.X ±0.20
X.XX ±0.15
ANGULAR ±3°

DESING	Alan	DATE	2016.03.16	TITLE: ANTENNA RF SPRING SMT TYPE H:2.40mm L:2.80*1.55*2.40mm	
CHECKED	Nick.F.H	DATE	2016.03.16		
APPROVED	HaiYong.Luo	DATE	2016.03.16		
PART NO:	P-JS-TT-24		REV: 04	SCALE: 1:1	UNIT: mm
DRAWING NO:	P-JS-TT-24		SIZE: A4	SHEET: 2/2	