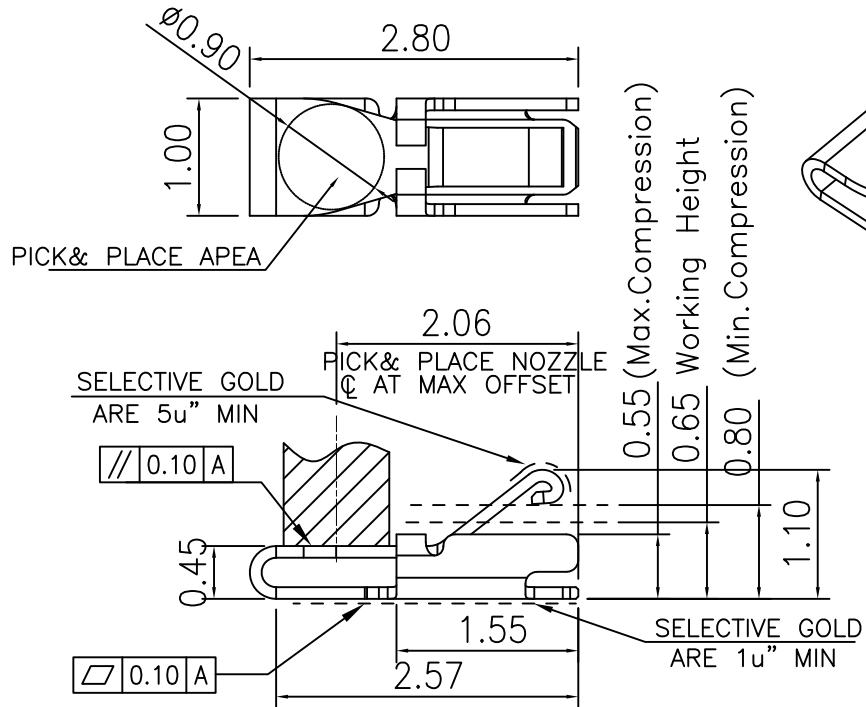
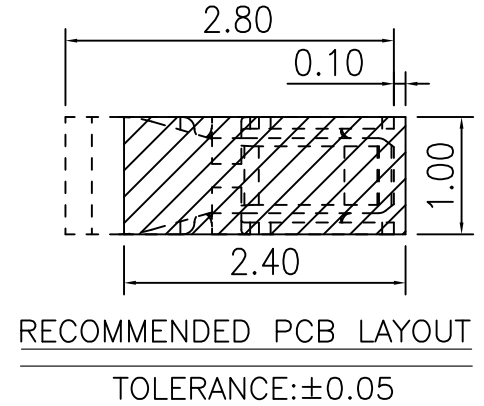
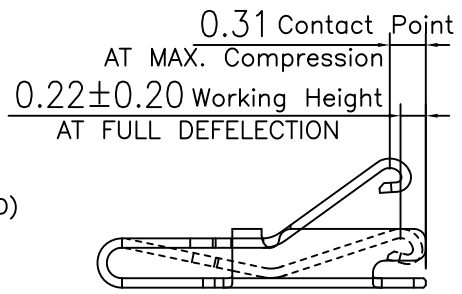


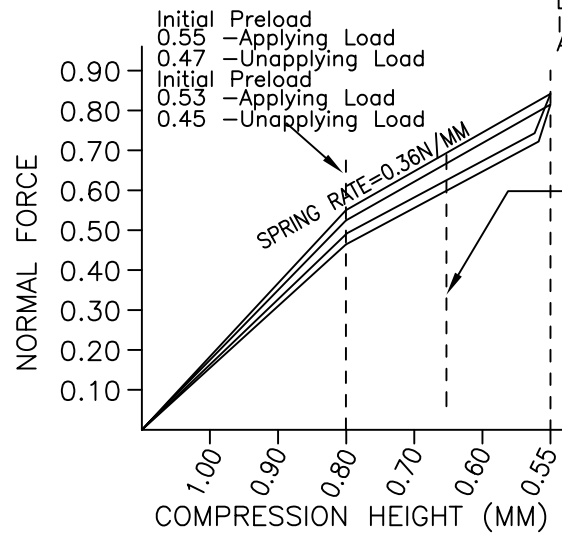
REV.	LOCAS.	DESCRIPTION	DRAW.	DATE.
01	NEW	INITIAL RELEASE.	Junly	2011.12.13



- NOTES:
- MATERIAL:
    - Copper Alloy
  - SPECIALITY:
    - Contact Resistance: 30mΩ Max
    - Operating Temperature: -20°C ~ +65°C
    - Max. Beam Deflection: 0.55mm. On Contact POINT
  - RF PERFORMANCE:
    - Impedance: 50 ohm.
    - Insertion Loss: 0.6dB Max. (DC ~ 3GHz)
    - VSWR: 1.5 MAX. (DC ~ 3GHz)
  - PLATING:
    - Contact Area: Plating Au 3u", underplated: 60u" MIN Ni.
    - Isolder Tail: Plating Au 1u", underplated: 60u" MIN Ni



LOAD/DEFLECTION GRAPH  
MINIMUM FORCE  
TOLERANCE +0.25N / -0.0N



LOAD AT 0.55 MM HEIGHT  
INITIAL = 0.84 N (APPLYING LOAD)  
AFER 3 x REFLOW = 0.76 N

INITIAL FORCE AT 0.65MM COMPRESSION =  
0.64N (APPLYING LOAD)  
0.59N (UNAPPLYING LOAD)  
AFTER 3 x REFLOW =  
0.62N (APPLYING LOAD)  
0.56N (UNAPPLYING LOAD)  
INITIAL FORCE ONLY TO BE MONITORED BY SPC

MEASURE POINT:  
QUADRANT POINT (QP)  
TANGENCY POINT (TP)  
INTERSECTION POINT (IP)



UNLESS OTHERWISE SPECIFIED, TOLERANCE:  
X. ±0.25  
X.x ±0.20  
X.xx ±0.15  
ANGULAR ±3'

DESING	Junly	DATE	2011.12.13	TITLE:					
CHECKED	Jack	DATE	2011.12.13	ANTENNA RF SPRING H:1.10mm					
APPROVED	Evan	DATE	2011.12.13	E TYPE L:2.80*1.00*1.10mm					
PART NO:	P-JS-29E11			REV:	01	SCALE:	16:1	UNIT:	mm
DRAWING NO:	P-JS-29E11			SIZE:	A4	SHEET:	1/1		