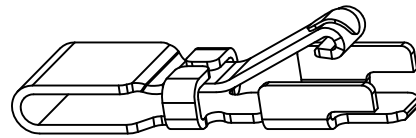
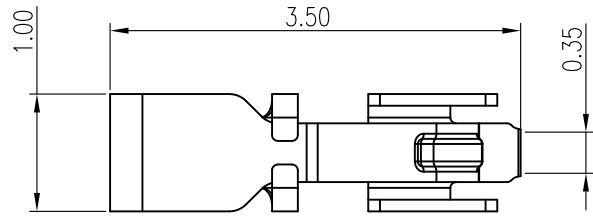


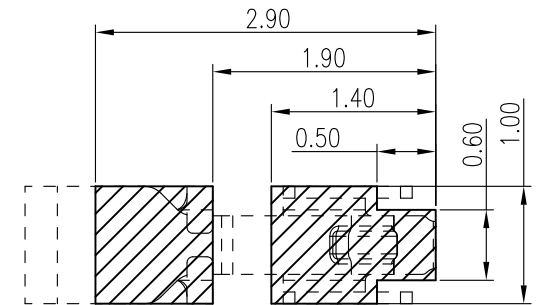
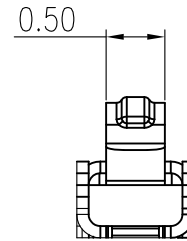
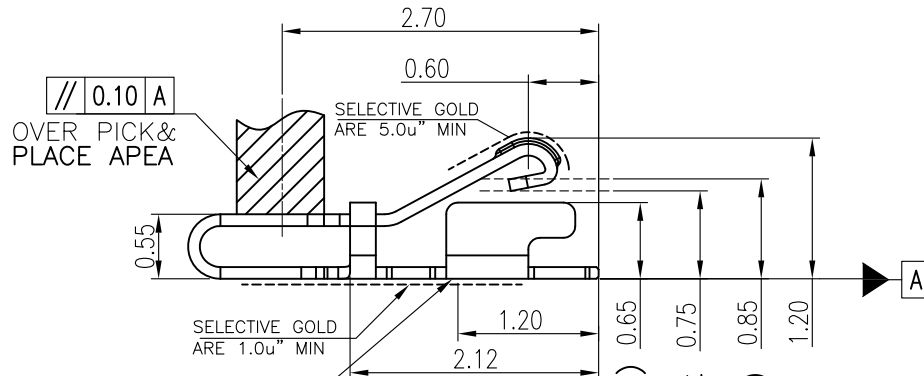
REV.	LOCAS.	DESCRIPTION	DRAW.	DATE.
01	NEW	INITIAL RELEASE.	Junly	2012.11.23
02	MODIFY	ECN-1412004	Andy	2014.12.02
03	MODIFY	UPDATE THE DRAWING FRAME	Alan	2016.03.08



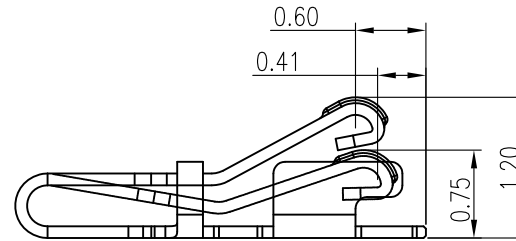
NOTES:

- 1.MATERIAL:
 - 1.1 Copper Alloy
- 2.SPECIALITY:
 - 2.1 Contact Resistance:30mΩ Max
 - 2.2 Operating Temperature:-20°C~+65°C
 - 2.3 Max. Beam Deflection:0.55mm.On Contact POINT
3. RF PERFORMANCE:
 - 3.1 Impedance:50 ohm.
 - 3.2 Insertion Loss: 0.6dBMax.(DC~3GHz)
 - 3.3 VSWR: 1.5MAX.(DC~3GHz)

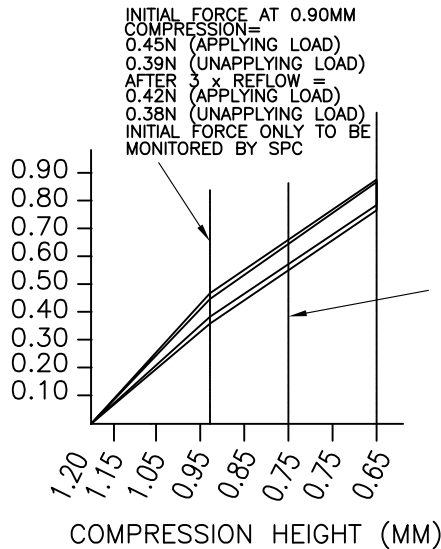
PICK & PLACE NOZZLE
 ⌀ AT MAX OFFSET



RECOMMENDED PCB LAYOUT
 TOLERANCE:±0.05



STATE AT WORKING HEIGHT 0.75mm



LOAD AT 0.65 MM HEIGHT
 INITIAL = 1.05 N (APPLYING LOAD)
 AFER 3 x REFLOW = 0.86 N

INITIAL FORCE AT 0.75MM
 COMPRESSION=
 0.65N (APPLYING LOAD)
 0.62N (UNAPPLYING LOAD)
 AFTER 3 x REFLOW =
 0.63N (APPLYING LOAD)
 0.57N (UNAPPLYING LOAD)
 INITIAL FORCE ONLY TO BE
 MONITORED BY SPC

MEASURE POINT:
 QUADRANT POINT (QP)
 TANGENCY POINT (TP)
 INTERSECTION POINT (IP)

UNLESS OTHERWISE
 SPECIFIED, TOLERANCE:
 X.x ±0.20
 X.xx ±0.15
 X.xxx ±0.10
 ANGULAR ±3°



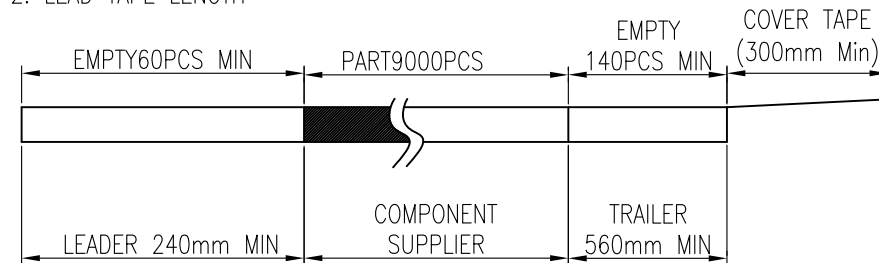
DESING	DATE	TITLE:
CHECKED	DATE	ANTENNA RF SPRING SMT TYPE
APPROVED	DATE	H:1.20mm L:3.50*1.00*1.20mm
PART NO: P-JS-TTC12	REV: 03	SCALE: 1:1
DRAWING NO: P-JS-TTC12	SIZE: A4	SHEET: 1/2
		UNIT: mm

RoHS

User Direction of Unreeling

NOTES

- 1. NUMBER OF CONNECTORS:9000PCS/REEL
- 2. LEAD TAPE LENGTH

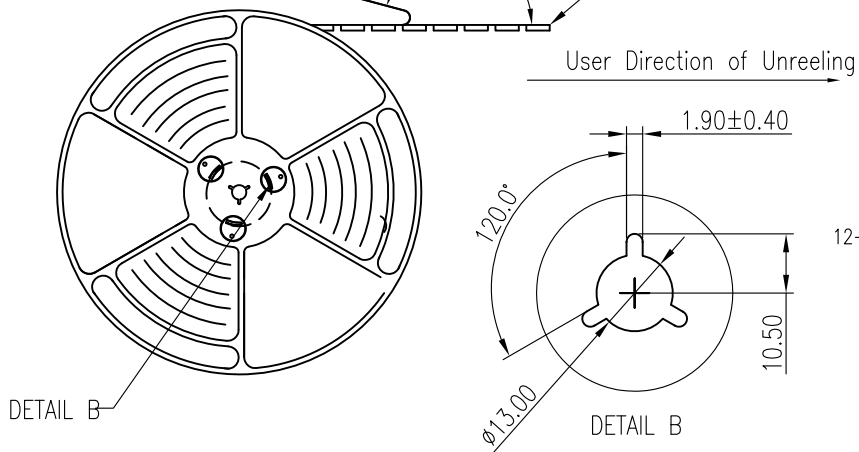
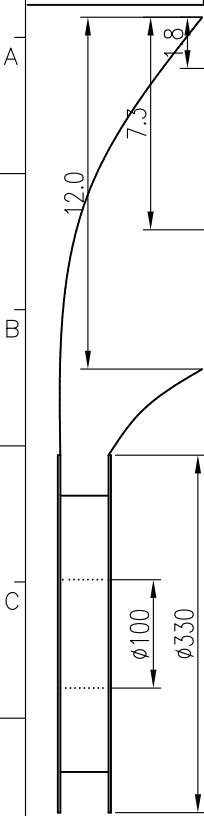


- 3. QUANTITY:108000PCS/CARTON
- 4. WEIGHT :
 - 4.1 NET WEIGHT : 1.62Kg
 - 4.2 GROSS WEIGHT : 5.35Kg

COVER TAPE PEELING ANGLE:165°~180°
PEELING FORCE:20~130g

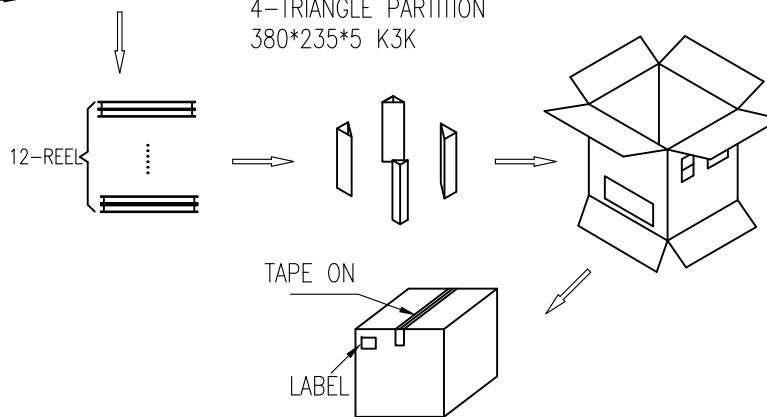
CARRIER TAPE

User Direction of Unreeling



4-TRIANGLE PARTITION
380*235*5 K3K

CARTON
342*342*250 K=K



MEASURE POINT:
QUADRANT POINT (QP)
TANGENCY POINT (TP)
INTERSECTION POINT (IP)

JITS JITS TECHNOLOGY CO., LIMITED

UNLESS OTHERWISE SPECIFIED, TOLERANCE:
X. ±0.25
X.X ±0.20
X.XX ±0.15
ANGULAR ±3°

DESIGN	DATE	TITLE:		
CHECKED	DATE	ANTENNA RF SPRING SMT TYPE		
APPROVED	DATE	H:1.20mm L:3.50*1.00*1.20mm		
PART NO: P-JS-TTC12	REV: 02	SCALE: 1:1	UNIT: mm	
DRAWING NO: P-JS-TTC12	SIZE: A4	SHEET: 2/2		