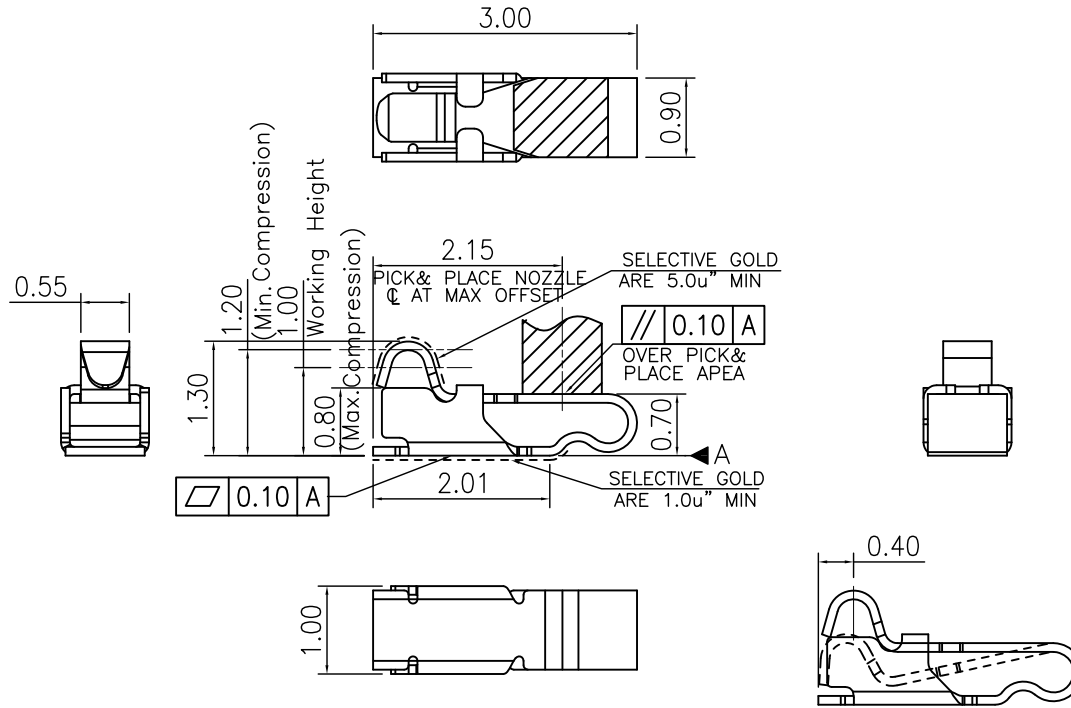


RoHS

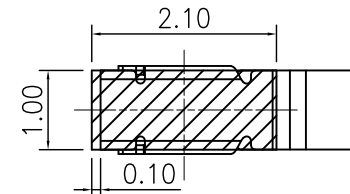
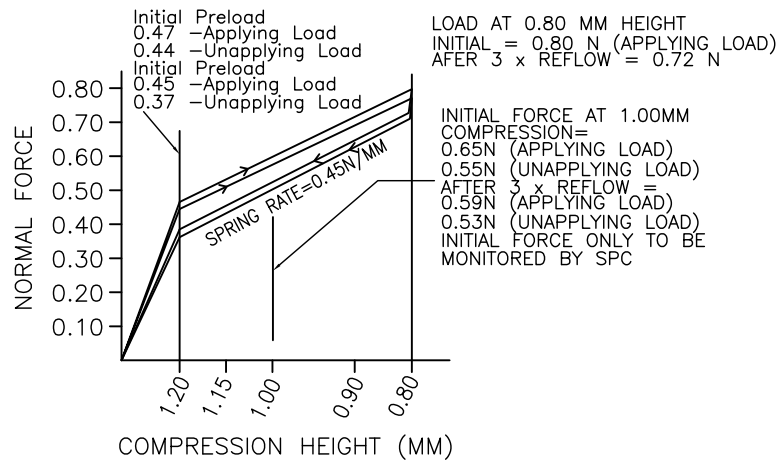
REV.	LOCAS.	DESCRIPTION	DRAW.	DATE.
A0	NEW	INITIAL RELEASE.	Junly	2012.02.23

NOTES:

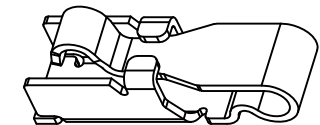
- 1.MATERIAL:
  - 1.1 Copper Alloy
- 2.SPECIALITY:
  - 2.1 Contact Resistance:30mΩ Max
  - 2.2 Operating Temperature:-20°C~+65°C
  - 2.3 Max. Beam Deflection:1.0mm.On Contact POINT
3. RF PERFORMANCE:
  - 3.1 Impedance:50 ohm.
  - 3.2 Insertion Loss: 0.6dBMax.(DC~3GHz)
  - 3.3 VSWR: 1.5MAX.(DC~3GHz)



LOAD/DEFLECTION GRAPH  
MINIMUM FORCE  
TOLERANCE +0.25N / -0.0N



RECOMMENDED PCB LAYOUT  
TOLERANCE:±0.05



MEASURE POINT:  
QUADRANT POINT (QP)  
TANGENCY POINT (TP)  
INTERSECTION POINT (IP)



UNLESS OTHERWISE SPECIFIED, TOLERANCE:  
X. ±0.25  
X.x ±0.20  
X.xx ±0.15  
ANGULAR ±3°

DESING	Junly	DATE	2012.02.23	TITLE:	ANTENNA RF SPRING SMT TYPE H:1.30mm L:3.00*1.00*1.30mm		
CHECKED	Nick	DATE	2012.02.23	PART NO:	P-JS-TTB13	REV:	A0
APPROVED	Liufei	DATE	2012.02.23	DRAWING NO:	P-JS-TTB13	SCALE:	16:1
				UNIT:	mm	SHEET:	1/1