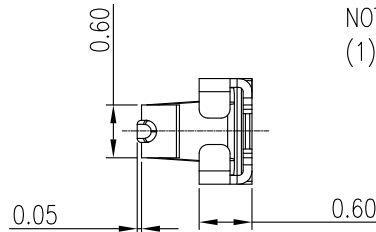
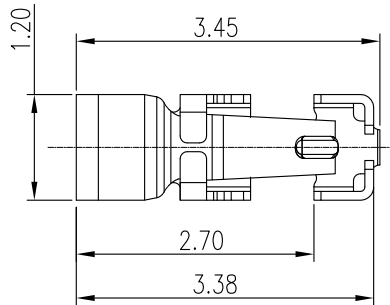
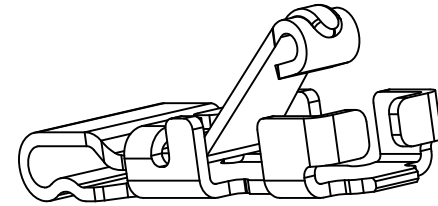
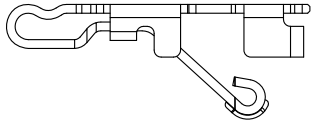


RoHS

REV.	LOCAS.	DESCRIPTION	DRAW.	DATE.
01	NEW	ECN-1512003	Steven	2015.12.07
02	MODIFY	UPDATE THE DRAWING FRAME	Alan	2016.03.16



NOTES:

(1)PRODUCT SPECIFICATIONS:

1-1 COURRENT RATING:0.5A

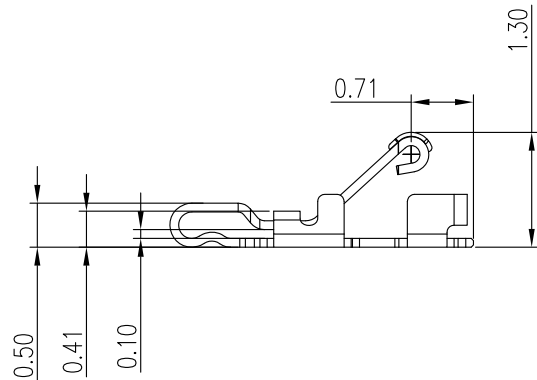
1-2 CONTACT RESISTANCE:50 MILL.OHM MAX

1-3 OPERATION TEMPERATURE: -20*TO+65*

1-4 DURABILITY:100 CYCLES

1-5 MAX.NORMAL FORCE:100gf MIN ON THE Deflection:0.45mm CONTACT POINT

(2)PLEASE CONTACT JITS SALES REPRESENTATIVE TO VERIFY PRODUCT DETAILS & AVAILABILITY



1	Spring contact	1PC	YCuT-FX-SH ,T=0.10mm	5u" min. gold plating at contact area 1u" min. gold plat at solder tail area 60u" min. Nickel under plating over all
NO	Description	Dosage	Material	FINISH SPEC.

MEASURE POINT:
 QUADRANT POINT (QP)
 TANGENCY POINT (TP)
 INTERSECTION POINT (IP)

JITS JITS
 TECHNOLOGY CO., LIMITED

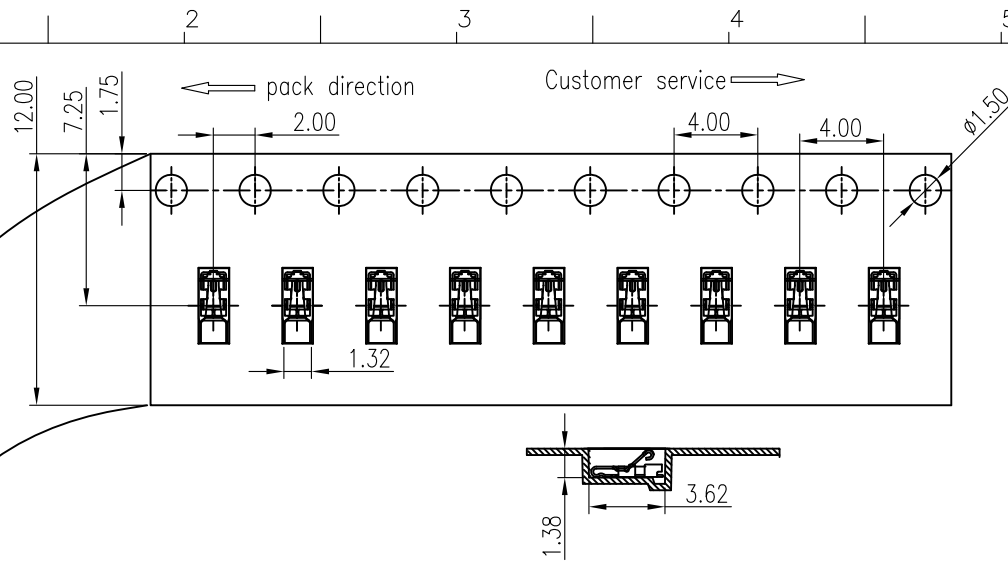
UNLESS OTHERWISE SPECIFIED, TOLERANCE:
 X. ±0.25
 X.X ±0.20
 X.XX ±0.15
 ANGULAR ±3°

DESING	Alan	DATE	2016.03.16
CHECKED	Nick.F.H	DATE	2016.03.16
APPROVED	HaiYong.Luo	DATE	2016.03.16

TITLE:
 H1.3 Ddesign shrapnel

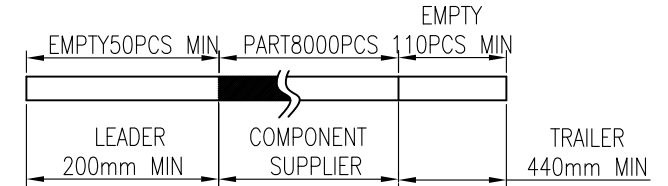
PART NO:	P-JW-TTD13	REV:	02	SCALE:	1:1	UNIT:	mm
DRAWING NO:	P-JW-TTD13	SIZE:	A4	SHEET:	1/2		

RoHS

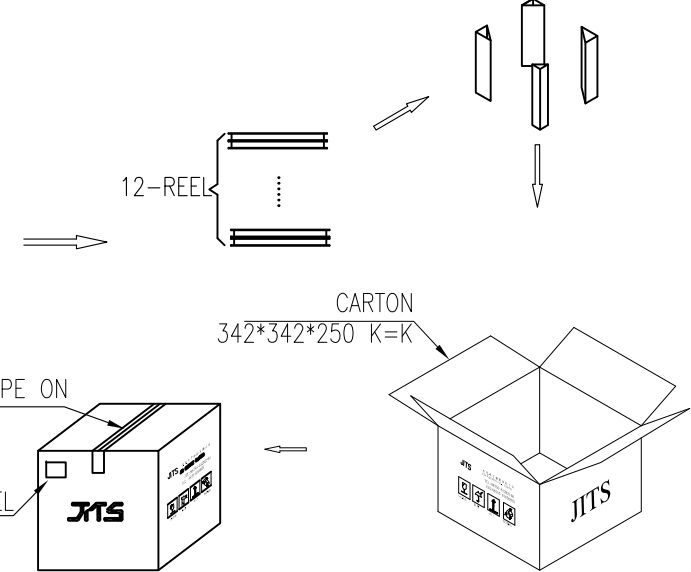


NOTES

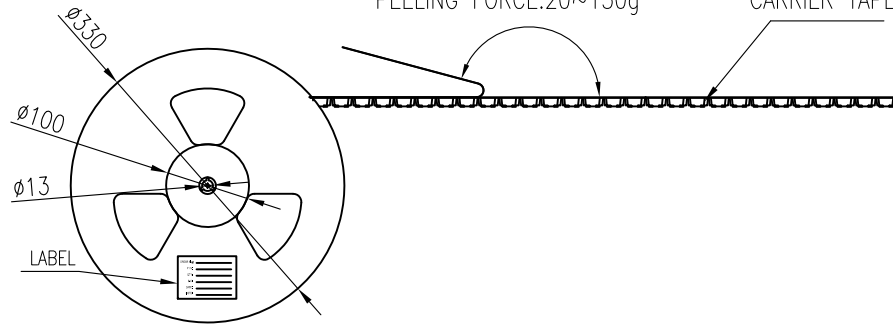
1. NUMBER OF CONNECTORS:8000PCS/REEL
2. LEAD TAPE LENGTH



3. QUANTITY:96000PCS/CARTON
- 4-TRIANGLE PARTITION 380*235*5 K3K



COVER TAPE PEELING ANGLE:165°~180°
PEELING FORCE:20~130g



MEASURE POINT:
QUADRANT POINT (QP)
TANGENCY POINT (TP)
INTERSECTION POINT (IP)

JTS JITS
TECHNOLOGY CO., LIMITED

UNLESS OTHERWISE SPECIFIED, TOLERANCE:
X. ±0.25
X.X ±0.20
X.XX ±0.15
ANGULAR ±3°

DESING	Alan	DATE	2016.03.16	TITLE: H1.3 Ddesign shrapnel			
CHECKED	Nick.F.H	DATE	2016.03.16				
APPROVED	HaiYong.Luo	DATE	2016.03.16				
PART NO:	P-JW-TTD13	REV:	2	SCALE:	1:1	UNIT:	mm
DRAWING NO:	P-JW-TTD13	SIZE:	A4	SHEET:	2/2		