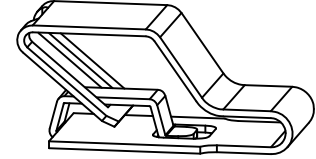
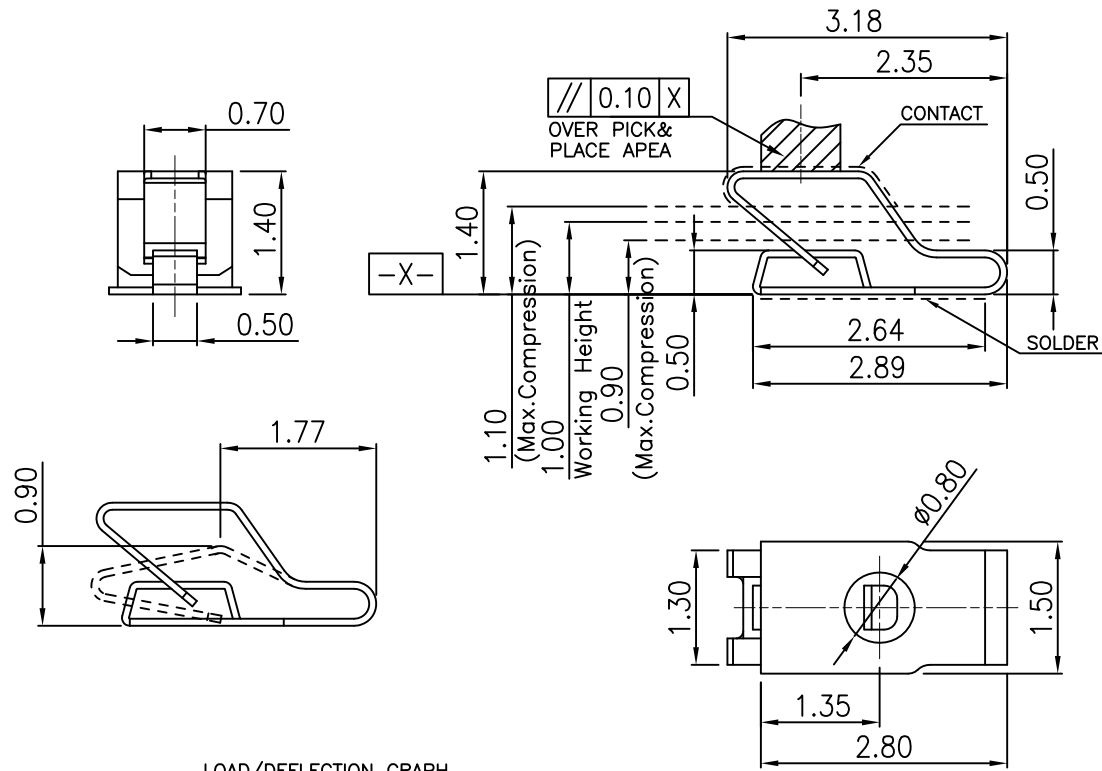


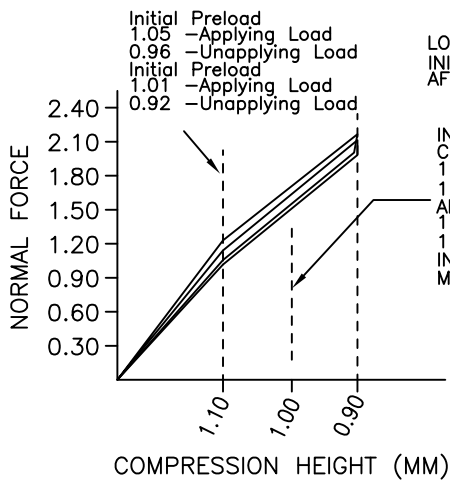
RoHS

REV.	LOCAS.	DESCRIPTION	DRAW.	DATE.
01	NEW	INITIAL RELEASE.	Junly	2013.09.01



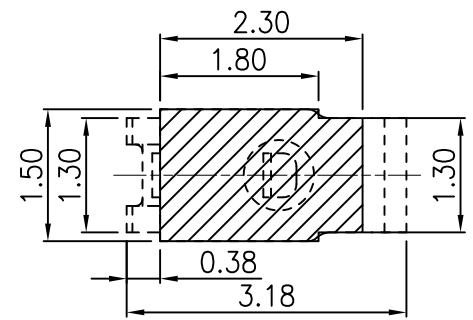
- NOTES:
- MATERIAL:
 - Copper Alloy
 - SPECIALITY:
 - Rated current: 1.0A
 - Rated voltage: 12V
 - Contact Resistance: 30mΩ Max
 - Operating Temperature: -20°C ~ +65°C
 - Max. Beam Deflection: 0.5mm. On Contact POINT
 - RF PERFORMANCE:
 - Impedance: 50 ohm.
 - Insertion Loss: 0.6dB Max. (DC ~ 3GHz)
 - VSWR: 1.5 MAX. (DC ~ 3GHz)

LOAD/DEFLECTION GRAPH
MINIMUM FORCE
TOLERANCE +0.25N / -0.0N



LOAD AT 0.90 MM HEIGHT
INITIAL = 2.12 N (APPLYING LOAD)
AFER 3 x REFLOW = 2.08 N

INITIAL FORCE AT 1.00MM COMPRESSION=
1.61N (APPLYING LOAD)
1.57N (UNAPPLYING LOAD)
AFER 3 x REFLOW =
1.59N (APPLYING LOAD)
1.54N (UNAPPLYING LOAD)
INITIAL FORCE ONLY TO BE MONITORED BY SPC



RECOMMENDED PCB LAYOUT
TOLERANCE: ±0.05

MEASURE POINT: QUADRANT POINT (QP) TANGENCY POINT (TP) INTERSECTION POINT (IP)						
UNLESS OTHERWISE SPECIFIED, TOLERANCE:	DESING	Junly	DATE	2013.09.01	TITLE: ANTENNA RF SPRING SMT TYPE H:1.40mm L:3.18*1.50*1.40mm	
X. ±0.25	CHECKED	Nick	DATE	2013.09.01		
X.x ±0.20	APPROVED	Liufei	DATE	2013.09.01		
X.xx ±0.15	PART NO:	P-JS-TTF14		REV: 01	SCALE: 16:1	UNIT: mm
ANGULAR ±3°	DRAWING NO:	P-JS-TTF14		SIZE: A4	SHEET: 1/1	