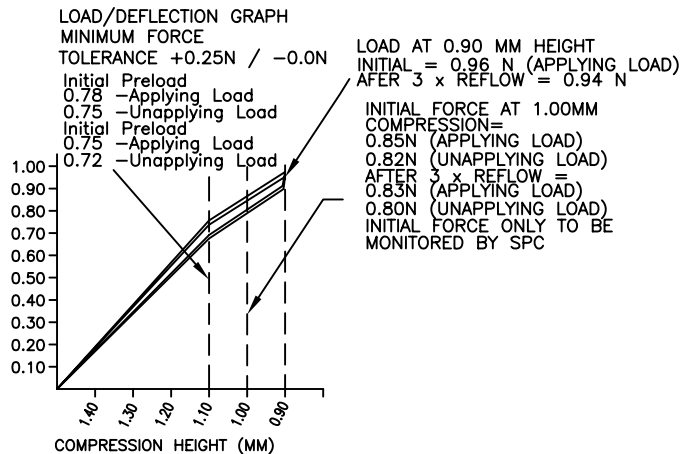
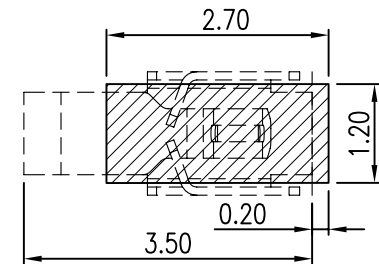
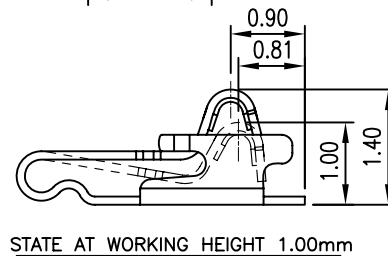
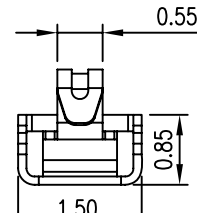
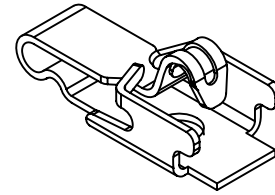
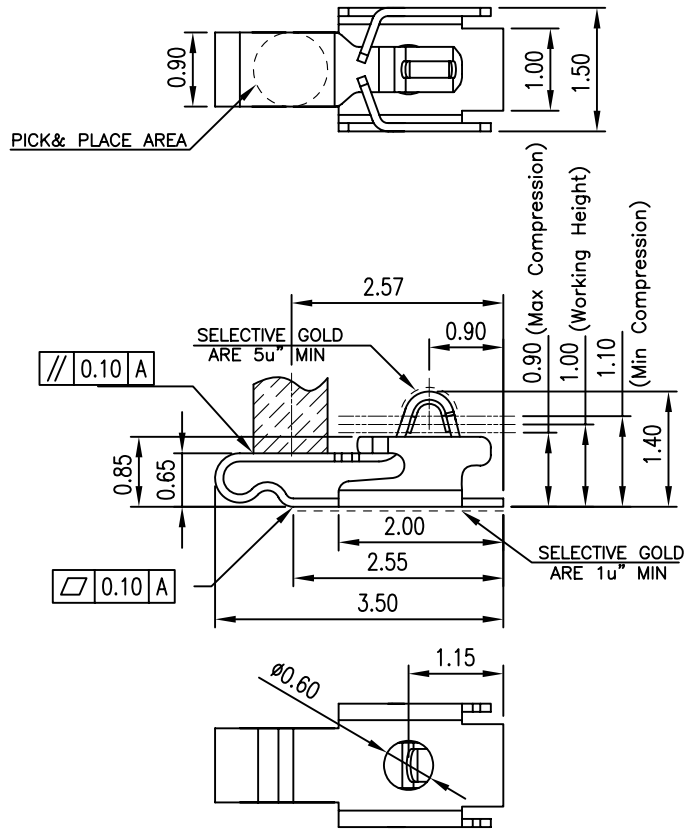


RoHS

REV.	LOCAS.	DESCRIPTION	DRAW.	DATE.
01	New	INITIAL RELEASE.	Karen	2012.06.07
02		UPDATA DRAWING	Jeff	2015.12.22

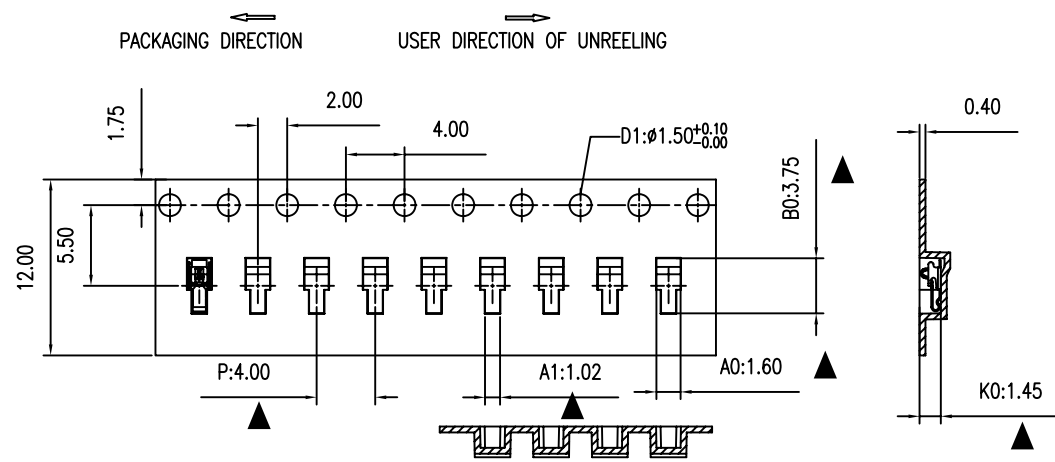
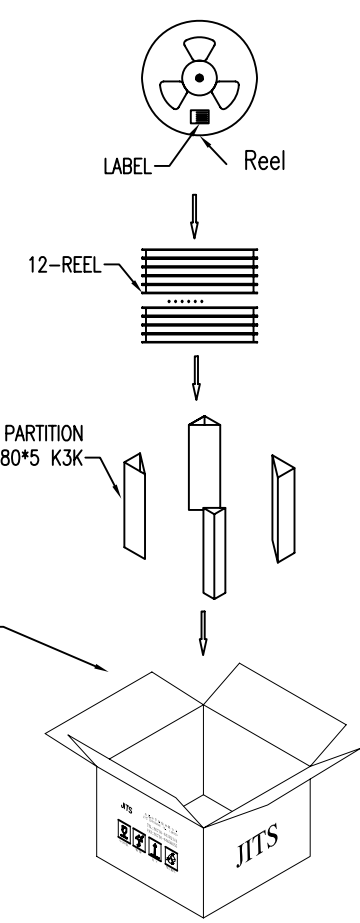
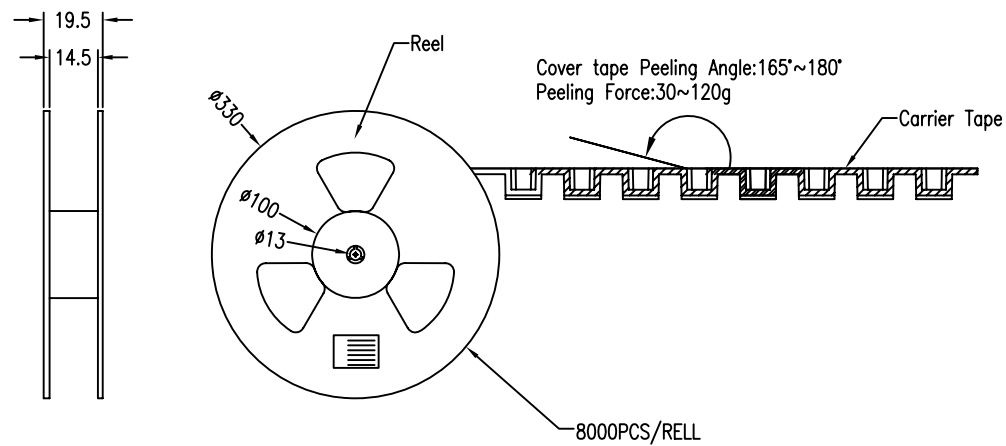
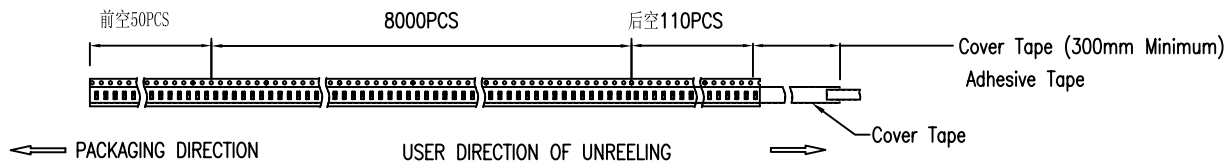
NOTES:

- 1.MATERIAL:
  - 1.1 Copper Alloy
- 2.SPECIALITY:
  - 2.1 Rated current:0.5A
  - 2.2 Rated voltage:12V
  - 2.3 Contact Resistance:30mΩ Max
  - 2.4 Operating Temperature:-20°C~+65°C
  - 2.5 Max. Beam Deflection:0.5mm.On Contact POINT
3. RF PERFORMANCE:
  - 3.1 Impedance:50 ohm.
  - 3.2 Insertion Loss: 0.6dBMax.(DC~3GHz)
  - 3.3 VSWR: 1.5MAX.(DC~3GHz)
4. PLATING:
  - 4.1 Contact Area: Plating Au 5u",underplated:60u"MIN Ni.
  - 4.2 Isolder Tail:Plating Au 1u",underplated:60u"MIN Ni
5. DURABILITY:100 cycles.



MEASURE POINT: QUADRANT POINT (QP) TANGENCY POINT (TP) INTERSECTION POINT (IP)						
UNLESS OTHERWISE SPECIFIED, TOLERANCE: X. ±0.25 X.x ±0.20 X.xx ±0.15 ANGULAR ±3°						
DESING	Jeff	DATE	2015.12.22	TITLE:	ANTENNA RF SPRING SMT TYPE H:1.40mm L:3.50*1.50*1.40mm	
CHECKED	Jeff	DATE	2015.12.22			
APPROVED	Junly	DATE	2015.12.22			
PART NO:	P-JS-TTC14			REV: 02	SCALE: 16:1	UNIT: mm
DRAWING NO:	P-JS-TTC14			SIZE: A4	SHEET: 1/1	

RoHS



MEASURE POINT: QP QUADRANT POINT: TP TANGENCY POINT: IP INTERSECTION POINT: IP			TITLE: ANTENNA RF SPRING SMT TYPE H:1.40mm L:3.50*1.50*1.40mm		
	UNLESS OTHERWISE SPECIFIED, TOLERANCE: X: ±0.25 X.x: ±0.20 X.xx: ±0.15 ANGULAR: ±3°	DESING: Jeff CHECKED: Jeff APPROVED: Junly	DATE: 2015.12.22 DATE: 2015.12.22 DATE: 2015.12.22	PART NO: P-JS-TTC14 DRAWING NO: P-JS-TTC14	REV: 02 SIZE: A4 SCALE: 16:1 SHEET: 2/2