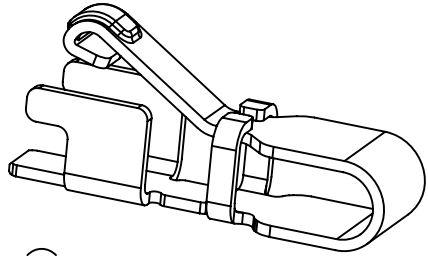
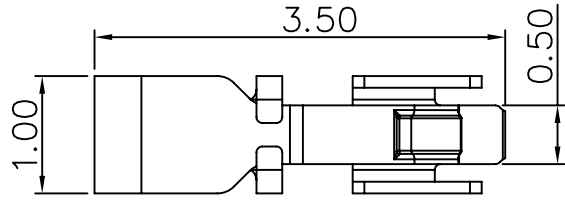


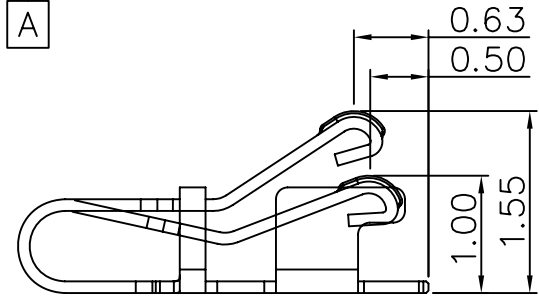
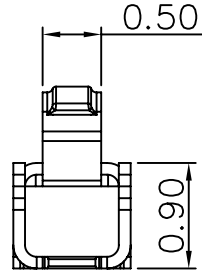
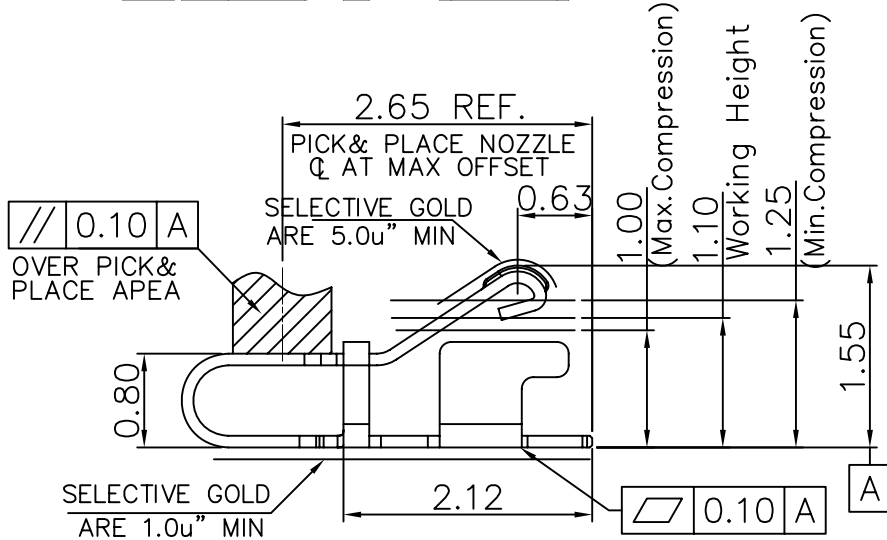
RoHS

REV.	LOCAS.	DESCRIPTION	DRAW.	DATE.
01	NEW	INITIAL RELEASE.	Junly	2013.03.23

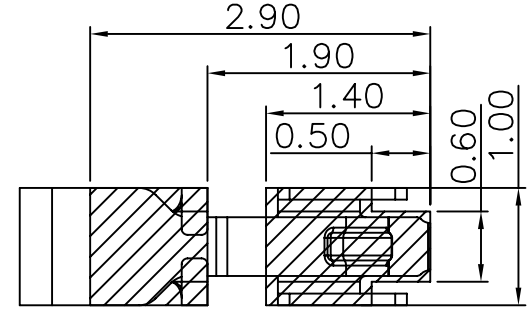


NOTES:

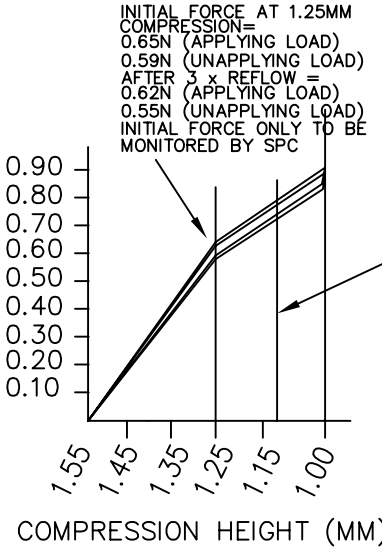
- 1.MATERIAL:
  - 1.1 Copper Alloy
- 2.SPECIALITY:
  - 2.1 Contact Resistance: 30mΩ Max
  - 2.2 Operating Temperature: -20°C~+65°C
  - 2.3 Max. Beam Deflection: 0.55mm. On Contact POINT
3. RF PERFORMANCE:
  - 3.1 Impedance: 50 ohm.
  - 3.2 Insertion Loss: 0.6dBMax.(DC~3GHz)
  - 3.3 VSWR: 1.5MAX.(DC~3GHz)



STATE AT WORKING HEIGHT 1.00mm



RECOMMENDED PCB LAYOUT  
TOLERANCE: ±0.05



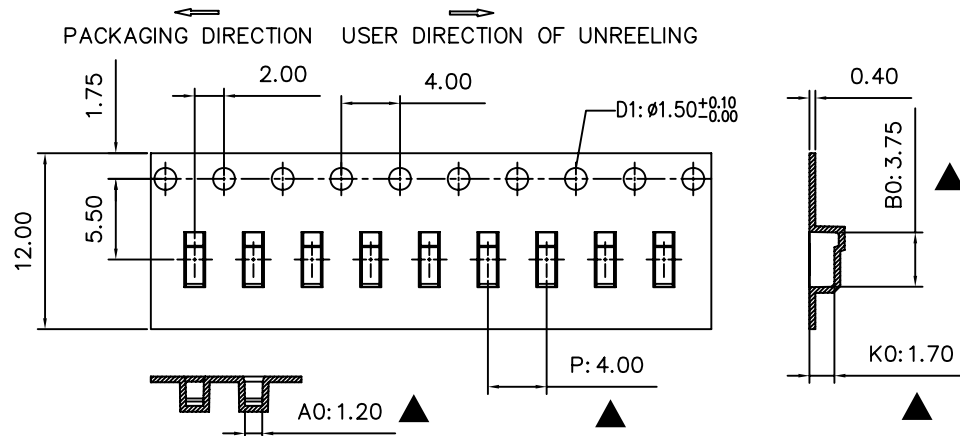
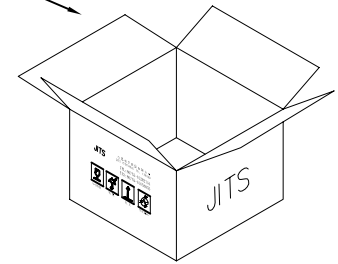
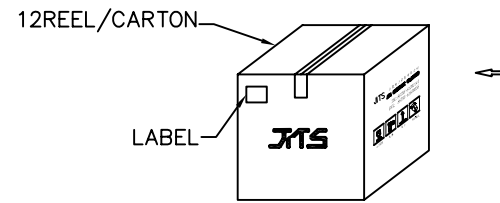
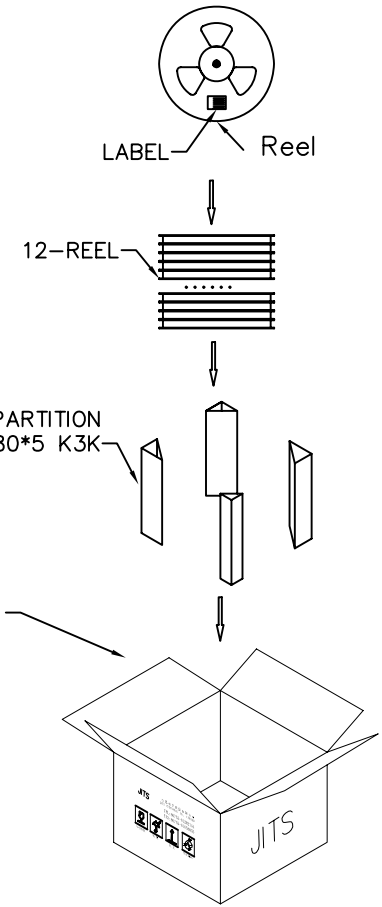
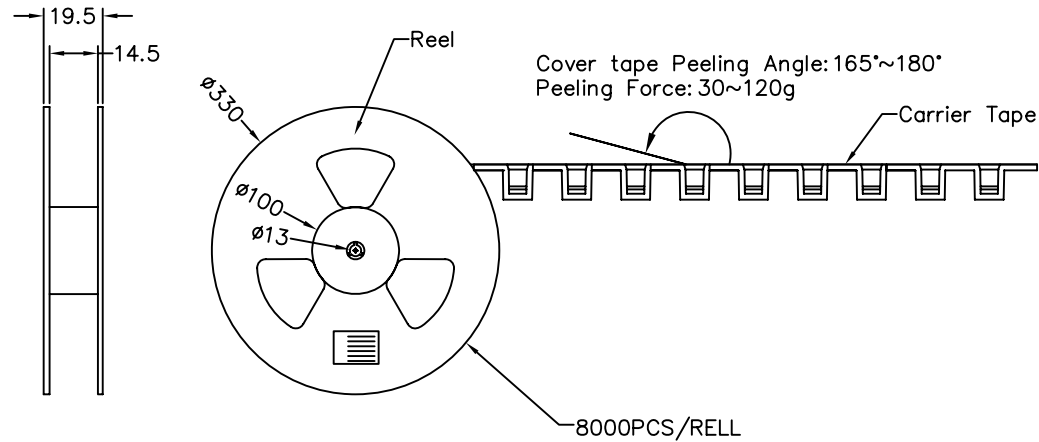
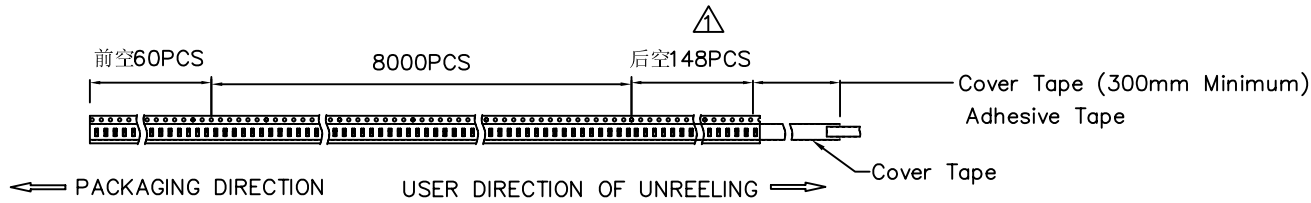
MEASURE POINT:  
 QUADRANT POINT (QP)  
 TANGENCY POINT (TP)  
 INTERSECTION POINT (IP)

UNLESS OTHERWISE SPECIFIED, TOLERANCE:  
 X. ±0.25  
 X.x ±0.20  
 X.xx ±0.15  
 ANGULAR ±3°



DESING	Jeff	DATE	2013.03.23	TITLE: ANTENNA RF SPRING SMT TYPE H: 1.55mm L: 3.50*1.00*1.55mm
CHECKED	Junly	DATE	2013.03.23	
APPROVED	Junly	DATE	2013.03.23	
PART NO: P-JS-TTC15		REV: 01	SCALE: 1:1	UNIT: mm
DRAWING NO: P-JS-TTC15		SIZE: A4	SHEET: 1/2	

RoHS



注：标示有▲为来料检验之重点尺寸，需有测量数据

MEASURE POINT:  
 QUADRANT POINT (QP)  
 TANGENCY POINT (TP)  
 INTERSECTION POINT (IP)

UNLESS OTHERWISE SPECIFIED, TOLERANCE:  
 X. ±0.25  
 X.x ±0.20  
 X.xx ±0.15  
 ANGULAR ±3°



DESING	Jeff	DATE	2013.03.23	TITLE:	ANTENNA RF SPRING SMT TYPE		
CHECKED	Junly	DATE	2013.03.23		H: 1.55mm L: 3.50*1.00*1.55mm		
APPROVED	Junly	DATE	2013.03.23				
PART NO: P-JS-TTC15				REV: 01	SCALE: 1:1	UNIT: mm	
DRAWING NO: P-JS-TTC15				SIZE: A4	SHEET: 2/2		