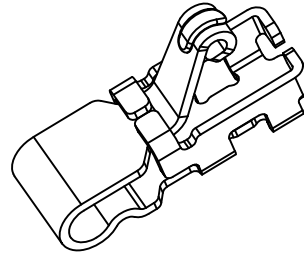
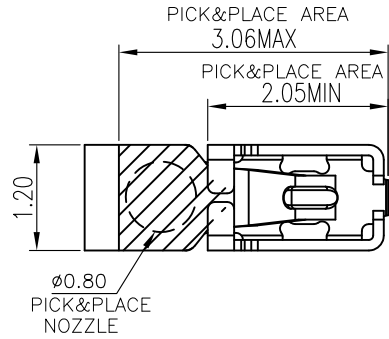


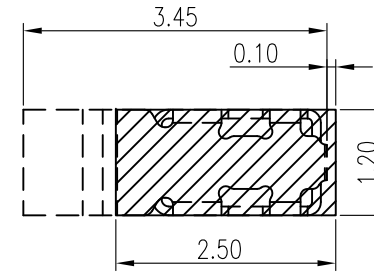
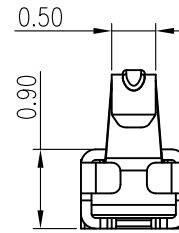
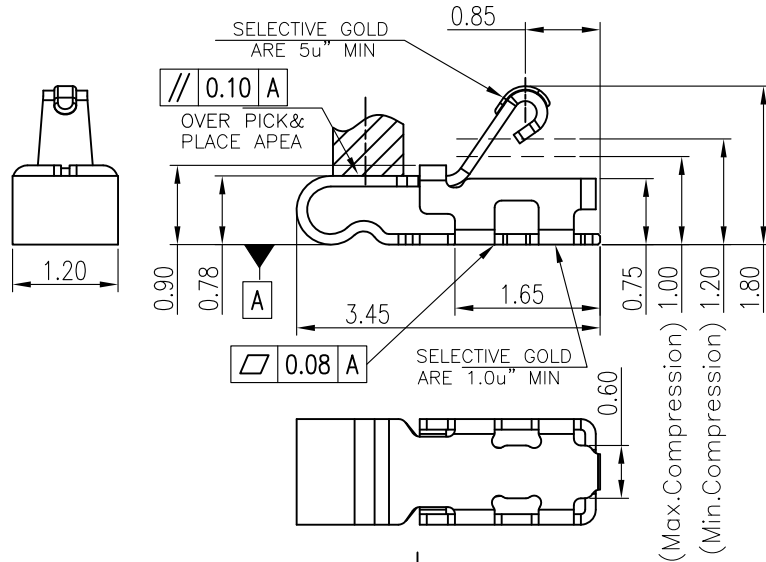
RoHS

REV.	LOCAS.	DESCRIPTION	DRAW.	DATE.
01	NEW	INITIAL RELEASE.	Junly	2012.12.21
02	MODIFY	UPDATE THE DRAWING FRAME	Alan	2016.02.23

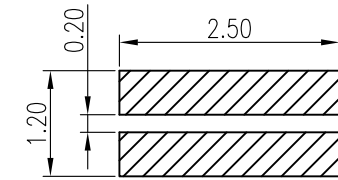


NOTES:

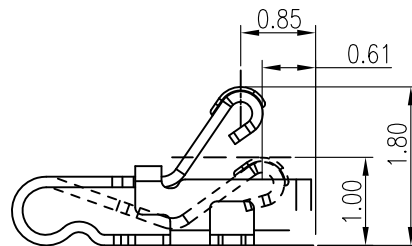
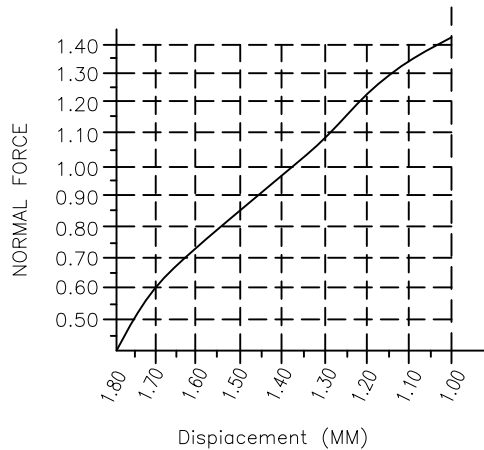
1. MATERIAL:
 - 1.1 Copper Alloy.
2. SPECIALITY:
 - 3.1 Contact Resistance: 50mΩ Max
 - 3.2 Operating Temperature: -20°C~+65°C
 - 3.3 Max. Beam Deflection: 0.80mm. On Contact POINT.
 - 3.4 FORCE OF 1.00~1.20MM: 1.20N MIN. ON CONTACT POINT.
3. RF PERFORMANCE:
 - 4.1 Impedance: 50 ohm.
 - 4.2 Insertion Loss: 0.6dBMax.(DC~3GHz)
 - 4.3 VSWR: 1.5MAX.(DC~3GHz)



RECOMMENDED PCB LAYOUT
TOLERANCE: ±0.05



RECOMMENDED METAL MASK
THICKNESS 0.10mm



STATE AT WORKING HEIGHT 1.00mm

1	Terminal 1	1PC	C17200-HMB,T=0.12	Contact Au: 3u", plating Au: 1u", Ni: 60u" min
NO	Description	Dosage	Material	Color/plating

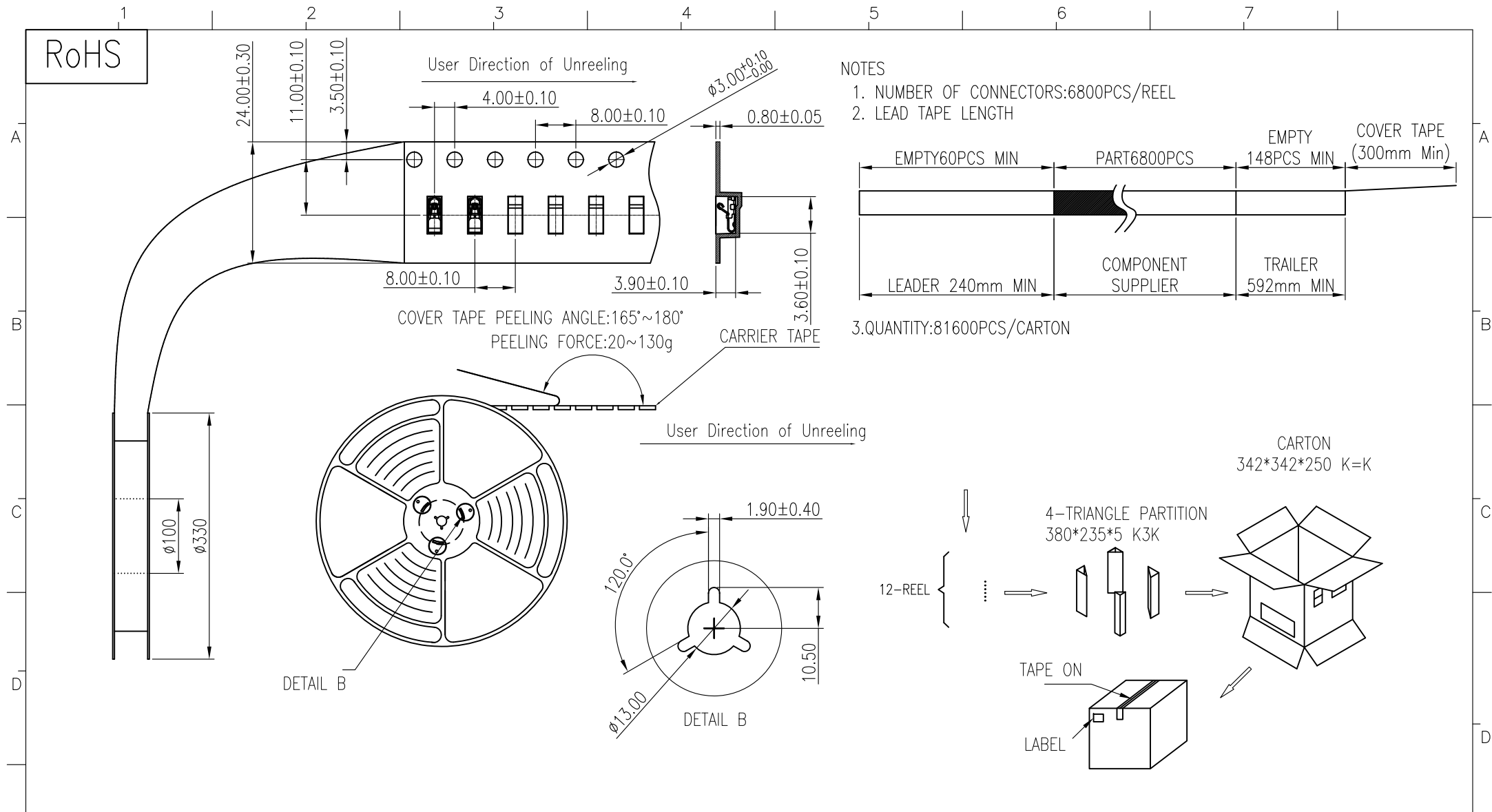
MEASURE POINT:
 QUADRANT POINT (QP)
 TANGENCY POINT (TP)
 INTERSECTION POINT (IP)



UNLESS OTHERWISE SPECIFIED, TOLERANCE:
 X. ±0.25
 X.x ±0.20
 X.xx ±0.15
 ANGULAR ±3°

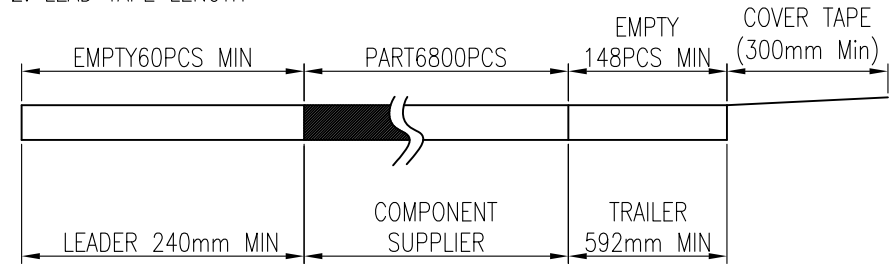
DESING	Alan	DATE	2016.03.17	TITLE:	ANTENNA RF SPRING SMT TYPE H: 1.80mm L: 3.45*1.20*1.80mm			
CHECKED		DATE						
APPROVED		DATE						
PART NO:	P-JS-TTB18		REV:	02	SCALE:	12:1	UNIT:	mm
DRAWING NO:	P-JS-TTB18		SIZE:	A4	SHEET:	1/2		

RoHS



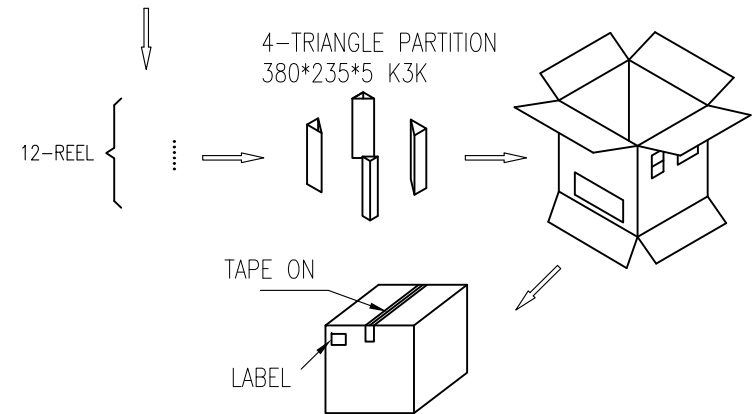
NOTES

1. NUMBER OF CONNECTORS:6800PCS/REEL
2. LEAD TAPE LENGTH



3. QUANTITY: 81600PCS/CARTON

CARTON
342*342*250 K=K



MEASURE POINT:
 QUADRANT POINT (QP)
 TANGENCY POINT (TP)
 INTERSECTION POINT (IP)

UNLESS OTHERWISE SPECIFIED, TOLERANCE:
 X. ±0.25
 X.X ±0.20
 X.XX ±0.15
 ANGULAR ±3°

JTS JITS TECHNOLOGY CO., LIMITED

DESING	Alan	DATE	2016.03.17	TITLE:	ANTENNA RF SPRING SMT TYPE H:2.5mm L:2.94*1.45*2.50mm		
CHECKED		DATE					
APPROVED		DATE					
PART NO:	P-JS-TTB18			REV:	02	SCALE:	1:1
DRAWING NO:	P-JS-TTB18			SIZE:	A4	SHEET:	2/2
				UNIT:	mm		