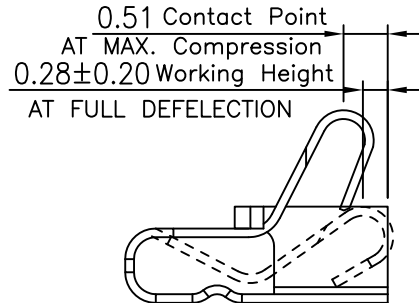
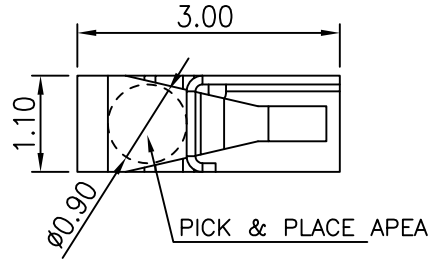


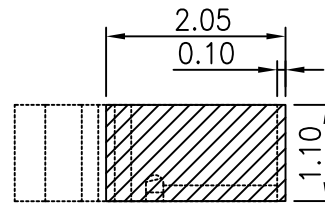
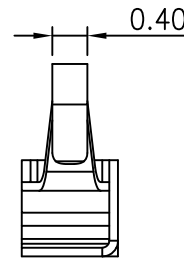
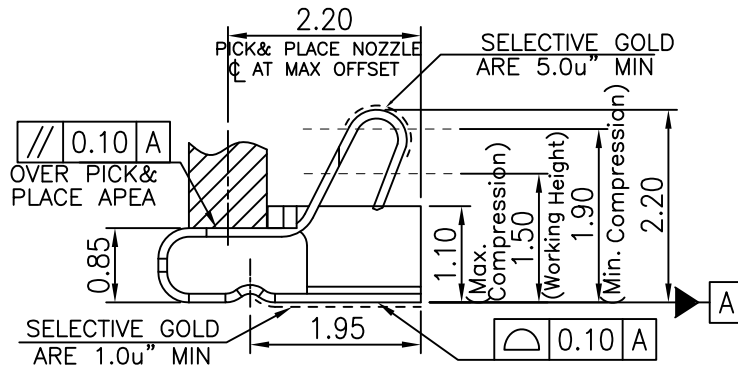
RoHS

REV.	LOCAS.	DESCRIPTION	DRAW.	DATE.
01	NEW	INITIAL RELEASE.	July	2009.03.19
02	△2	ECN20120012	July	2012.03.15
03	△3	ECN20120018	July	2012.04.21

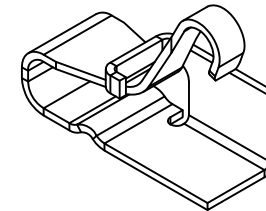


NOTES:

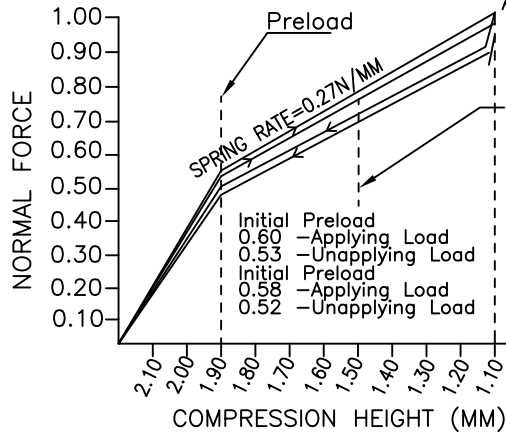
1. MATERIAL:
 - 1.1 Copper Alloy
2. SPECIALITY:
 - 2.1 Rated current: 0.5A
 - 2.2 Rated voltage: 12V
 - 2.3 Contact Resistance: 30mΩ Max
 - 2.4 Operating Temperature: -20°C ~ +65°C
 - 2.5 Max. Beam Deflection: 0.5mm. On Contact POINT
3. RF PERFORMANCE:
 - 3.1 Impedance: 50 ohm.
 - 3.2 Insertion Loss: 0.6dB Max. (DC ~ 3GHz)
 - 3.3 VSWR: 1.5 MAX. (DC ~ 3GHz)
4. PLATING:
 - 4.1 Contact Area: Plating Au 5u", underplated: 60u" MIN Ni.
 - 4.2 Isolder Tail: Plating Au 1u", underplated: 60u" MIN Ni
5. DURABILITY: 100 cycles.



RECOMMENDED PCB LAYOUT
TOLERANCE: ±0.05



LOAD/DEFLECTION GRAPH
MINIMUM CONTACT FORCES SHOWN
TOLERANCE +0.25N / -0.0N



LOAD AT 1.10 MM HEIGHT
INITIAL = 0.80 N (APPLYING LOAD)
AFER 3 x REFLOW = 1.0 N

INITIAL FORCE AT 1.50MM COMPRESSION =
0.68N (APPLYING LOAD)
0.61N (UNAPPLYING LOAD)
AFTER 3 x REFLOW =
0.64N (APPLYING LOAD)
0.56N (UNAPPLYING LOAD)
INITIAL FORCE ONLY TO BE MONITORED BY SPC

MEASURE POINT:
QUADRANT POINT (QP)
TANGENCY POINT (TP)
INTERSECTION POINT (IP)

JTS JITS
TECHNOLOGY CO., LIMITED

UNLESS OTHERWISE SPECIFIED, TOLERANCE:
X. ±0.25
X.x ±0.20
X.xx ±0.15
ANGULAR ±3°

DESING	July	DATE	2012.04.21	TITLE:	ANTENNA RF SPRING SMT TYPE H:2.20mm L:3.00*1.10*2.20mm		
CHECKED	EVIC	DATE	2012.04.21	REV:	03	SCALE:	20:1
APPROVED	EVIC	DATE	2012.04.21	UNIT:	mm	SHEET:	1/1
PART NO:	P-JS-30-22			SIZE:	A4		
DRAWING NO:	P-JS-30-22						