

RoHS

REV.	LOCAS.	DESCRIPTION	DRAW.	DATE.
01	NEW	INITIAL RELEASE.	Junly	2009.07.23
02		ECN20120018	Junly	2012.04.21

NOTES:

1.MATERIAL:

1.1 Copper Alloy

2.SPECIALITY:

2.1 Contact Resistance:50mΩ Max

2.2 Operating Temperature:-20°C~+65°C

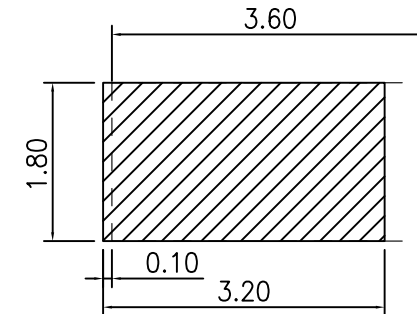
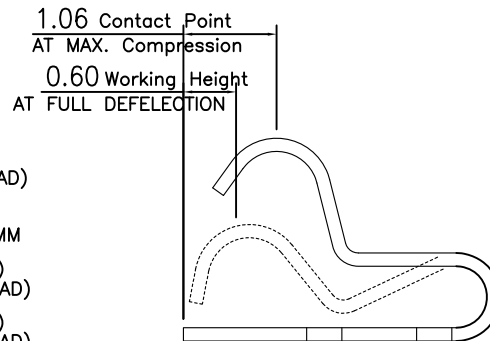
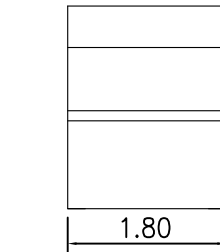
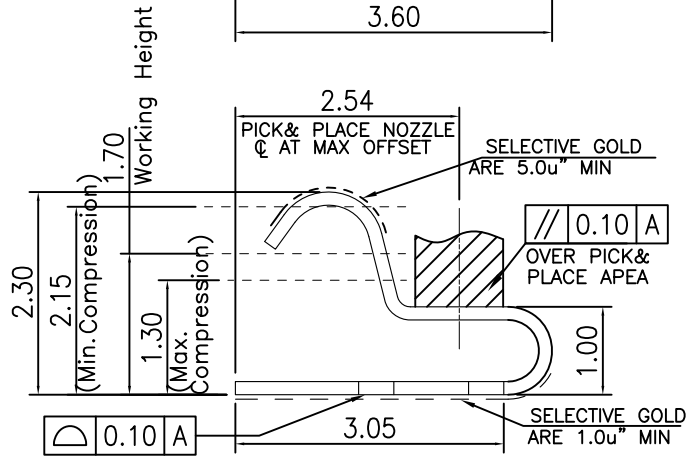
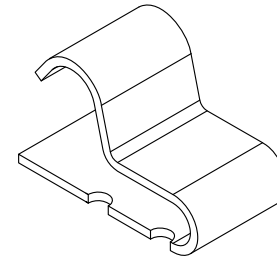
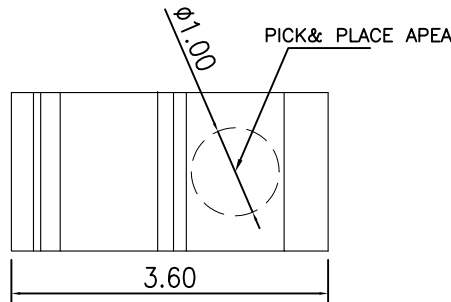
2.3 Max. Beam Deflection:1.10mm On Contact POINT

3. RF PERFORMANCE:

3.1 Impedance:50 ohm.

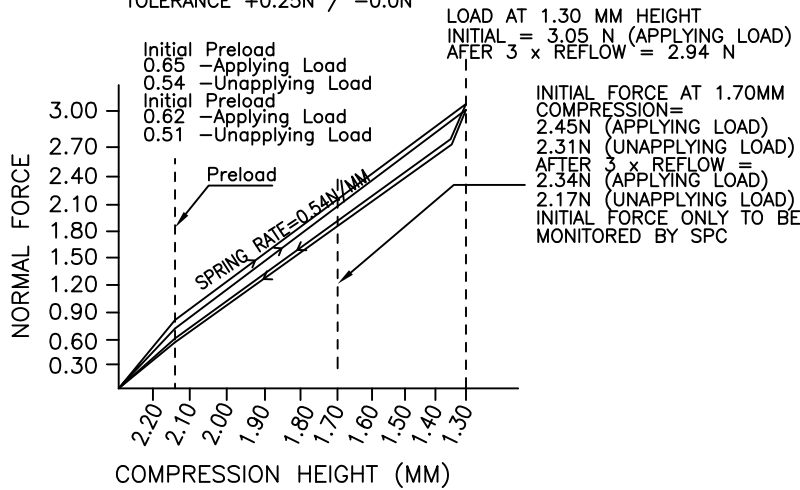
3.2 Insertion Loss: 0.6dBMax.(DC~3GHz)

3.3 VSWR: 1.5MAX.(DC~3GHz)



RECOMMENDED PCB LAYOUT
TOLERANCE:±0.05

LOAD/DEFLECTION GRAPH
MINIMUM FORCE
TOLERANCE +0.25N / -0.0N



MEASURE POINT:
QUADRANT POINT (QP)
TANGENCY POINT (TP)
INTERSECTION POINT (IP)



UNLESS OTHERWISE SPECIFIED, TOLERANCE:
X. ±0.25
X.x ±0.20
X.xx ±0.15
ANGULAR ±3°

DESING	Junly	DATE	2012.04.21	TITLE:	ANTENNA RF SPRING SMT TYPE H:2.30MM L:3.60*1.80*2.30mm		
CHECKED	Nick	DATE	2012.04.21	REV:	02	SCALE:	12:1
APPROVED	Liufei	DATE	2012.04.21	UNIT:	mm		
PART NO:	P-JS-36B23			SIZE:	A4	SHEET:	1/1
DRAWING NO:	P-JS-36B23						