

REV.	LOCAS.	DESCRIPTION	DRAW.	DATE.
01	NEW	INITIAL RELEASE.	Tiger	2012.09.03
02		Update Drawing	Jeff	2015.12.23

NOTES:

1. MATERIAL:

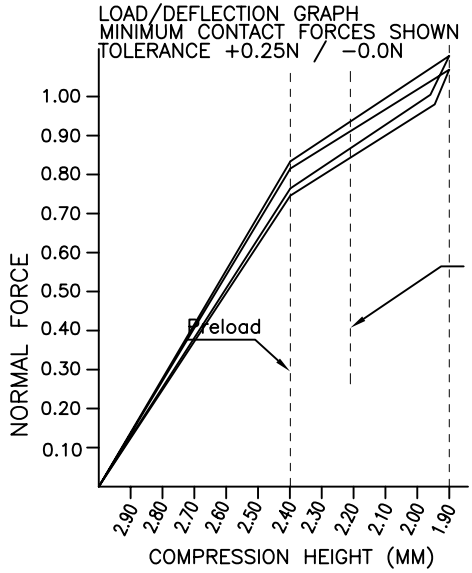
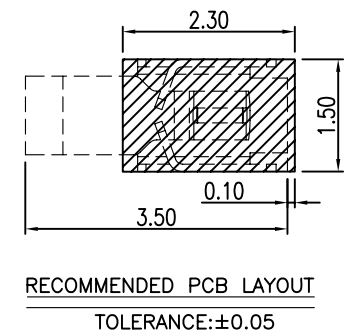
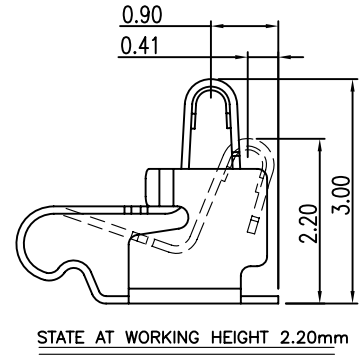
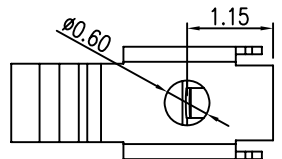
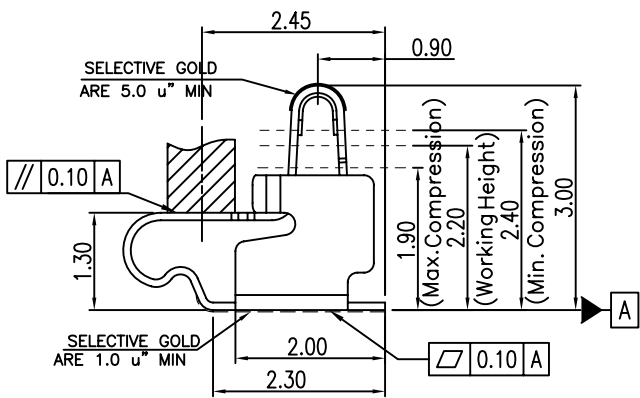
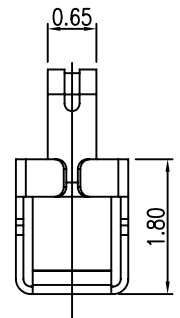
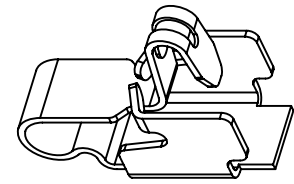
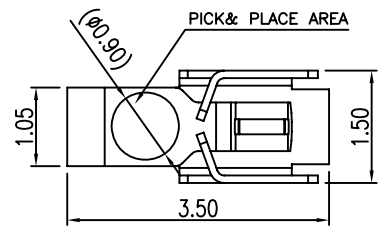
1.1 Copper Alloy

2. SPECIALITY:

- 2.1 Contact Resistance: 30mΩ Max
- 2.2 Operating Temperature: -20°C ~ +65°C
- 2.3 Max. Beam Deflection: 1.05mm. On Contact POINT

3. RF PERFORMANCE:

- 3.1 Impedance: 50 ohm.
- 3.2 Insertion Loss: 0.6dB Max. (DC ~ 3GHz)
- 3.3 VSWR: 1.5 MAX. (DC ~ 3GHz)



LOAD/DEFLECTION GRAPH
MINIMUM CONTACT FORCES SHOWN
TOLERANCE +0.25N / -0.0N

LOAD AT 1.90 MM HEIGHT
INITIAL = 1.10 N (APPLYING LOAD)
AFER 3 x REFLOW = 1.06 N

INITIAL FORCE AT 2.20MM
COMPRESSION=
0.96N (APPLYING LOAD)
0.91N (UNAPPLYING LOAD)
AFTER 3 x REFLOW =
0.93N (APPLYING LOAD)
0.88N (UNAPPLYING LOAD)
INITIAL FORCE ONLY TO BE
MONITORED BY SPC

Initial Preload
0.84 -Applying Load
0.77 -Unapplying Load
Initial Preload
0.81 -Applying Load
0.75 -Unapplying Load

MEASURE POINT: QUADRANT POINT (QP) TANGENCY POINT (TP) INTERSECTION POINT (IP)			DESING	Jeff	DATE	2015.12.23	TITLE:	ANTENNA RF SPRING SMT TYPE H:3.00mm L:3.50*1.50*3.00mm						
UNLESS OTHERWISE SPECIFIED, TOLERANCE: X. ±0.25 X.x ±0.20 X.xx ±0.15 ANGULAR ±3°			CHECKED	Jeff	DATE	2015.12.23	REV:	02	SCALE:	16:1	UNIT:	mm		
	APPROVED	Junly	DATE	2015.12.23	PART NO:	P-JS-TTB30			SIZE:	A4	SHEET:	1/1	UNIT:	mm
	DRAWING NO: P-JS-TTB30				REV:	02	SCALE:	16:1	UNIT:	mm				