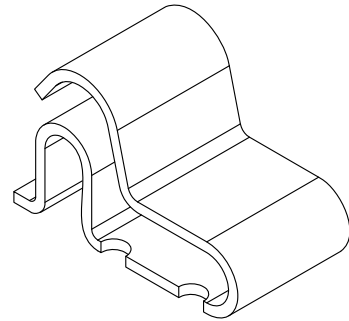
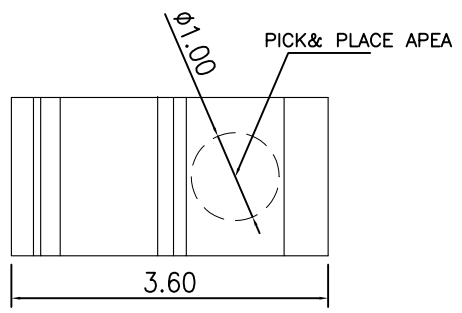


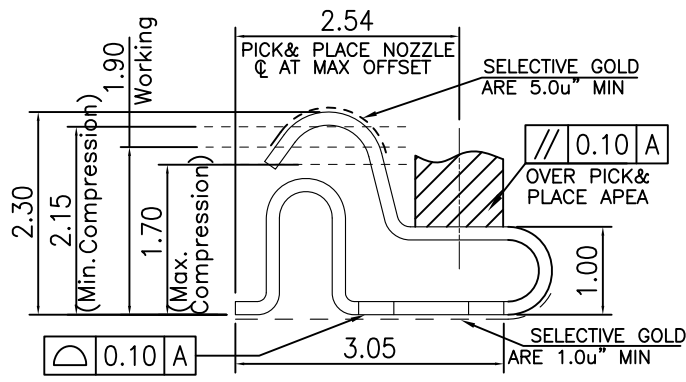
RoHS

REV.	LOCAS.	DESCRIPTION	DRAW.	DATE.
01	NEW	INITIAL RELEASE.	Junly	2009.07.23
02	△2	ECN20120018	Junly	2012.04.21
03	△3	ECN20120123	Junly	2012.11.13

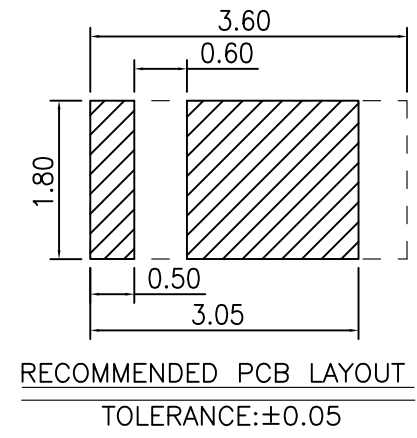
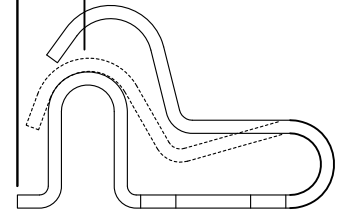


NOTES:

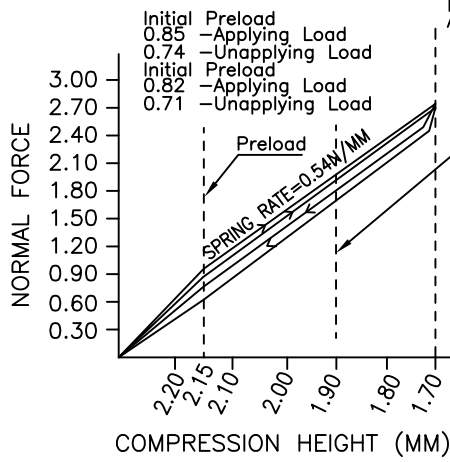
- 1.MATERIAL:
  - 1.1 Copper Alloy
- 2.SPECIALITY:
  - 2.1 Contact Resistance:50mΩ Max
  - 2.2 Operating Temperature:-20°C~+65°C
  - 2.3 Max. Beam Deflection:.060mmOn Contact POINT
3. RF PERFORMANCE:
  - 3.1 Impedance:50 ohm.
  - 3.2 Insertion Loss: 0.6dBMax.(DC~3GHz)
  - 3.3 VSWR: 1.5MAX.(DC~3GHz)



1.06 Contact Point  
AT MAX. Compression  
0.76 Working Height  
AT FULL DEFELECTION



LOAD/DEFLECTION GRAPH  
MINIMUM FORCE  
TOLERANCE +0.25N / -0.0N



LOAD AT 1.70 MM HEIGHT  
INITIAL = 2.85 N (APPLYING LOAD)  
AFER 3 x REFLOW = 2.76 N

INITIAL FORCE AT 1.90MM  
COMPRESSION=  
1.95N (APPLYING LOAD)  
1.81N (UNAPPLYING LOAD)  
AFTER 3 x REFLOW =  
1.94N (APPLYING LOAD)  
1.77N (UNAPPLYING LOAD)  
INITIAL FORCE ONLY TO BE  
MONITORED BY SPC

MEASURE POINT:  
QUADRANT POINT (QP)  
TANGENCY POINT (TP)  
INTERSECTION POINT (IP)



UNLESS OTHERWISE SPECIFIED, TOLERANCE: X. ±0.25 X.x ±0.20 X.xx ±0.15 ANGULAR ±3°	DESING	Junly	DATE	2012.11.13	TITLE: <b>ANTENNA RF SPRING SMT TYPE</b> H:2.30MM L:3.60*1.80*2.30mm			
	CHECKED	Nick	DATE	2012.11.13				
	APPROVED	Liufei	DATE	2012.11.13				
PART NO:	P-JS-36-23		REV:	03	SCALE:	12:1	UNIT:	mm
DRAWING NO:	P-JS-36-23		SIZE:	A4	SHEET:	1/1		