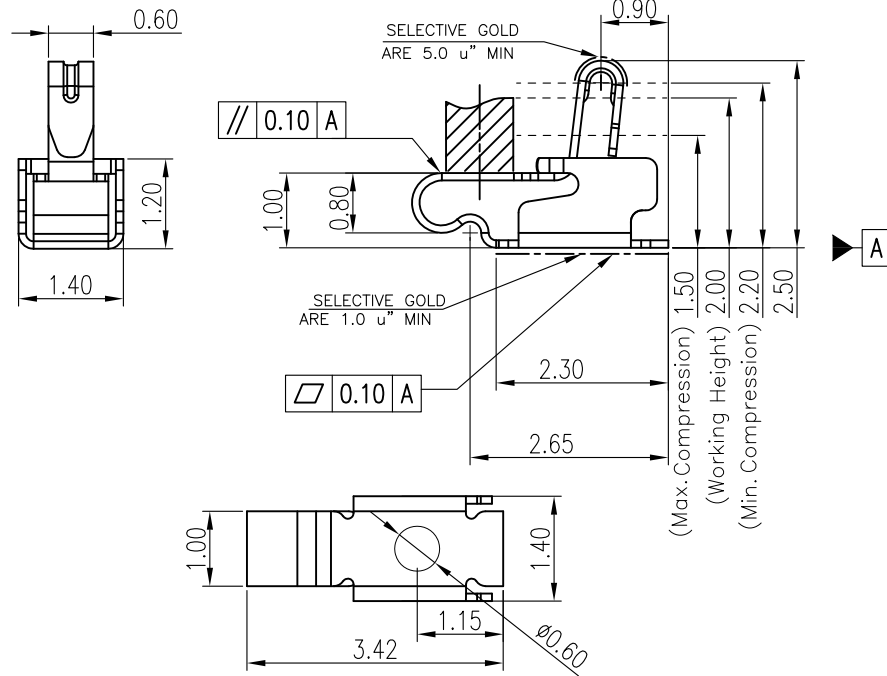
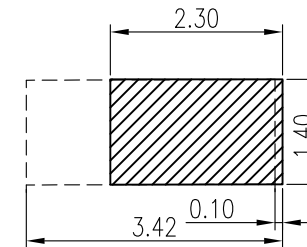
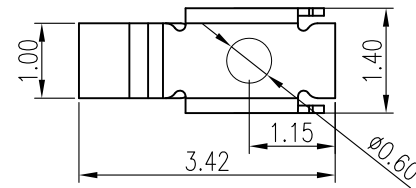
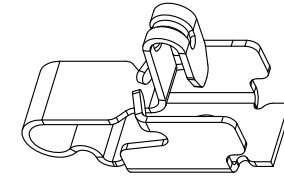


REV.	LOCAS.	DESCRIPTION	DRAW.	DATE.
01	NEW	INITIAL RELEASE.	Andy	2013.11.25
02	MODIFY	ECN-1408016	Andy	2014.08.13
03	MODIFY	UPDATE THE DRAWING FRAME	Alan	2016.03.16

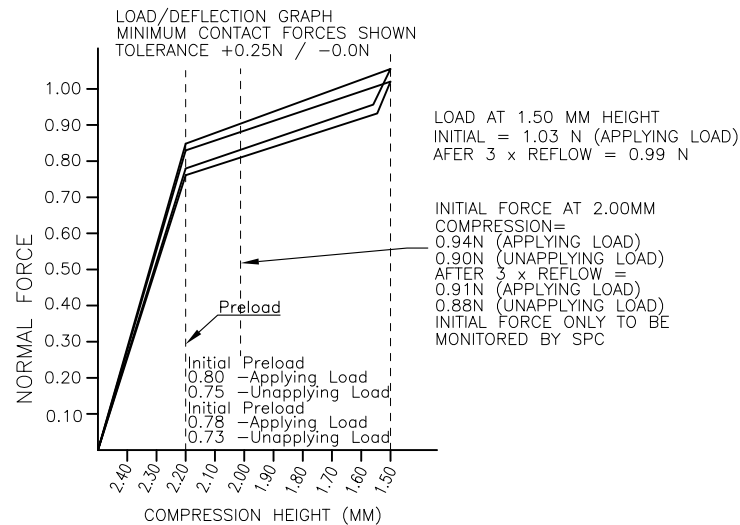


NOTES:

- 1.MATERIAL:
  - 1.1 Copper Alloy
- 2.SPECIALITY:
  - 2.1 Contact Resistance:30mΩ Max
  - 2.2 Operating Temperature:-20°C~+65°C
  - 2.3 Max. Beam Deflection:1.05mm.On Contact POINT
3. RF PERFORMANCE:
  - 3.1 Impedance:50 ohm.
  - 3.2 Insertion Loss: 0.6dBMax.(DC~3GHz)
  - 3.3 VSWR: 1.5MAX.(DC~3GHz)



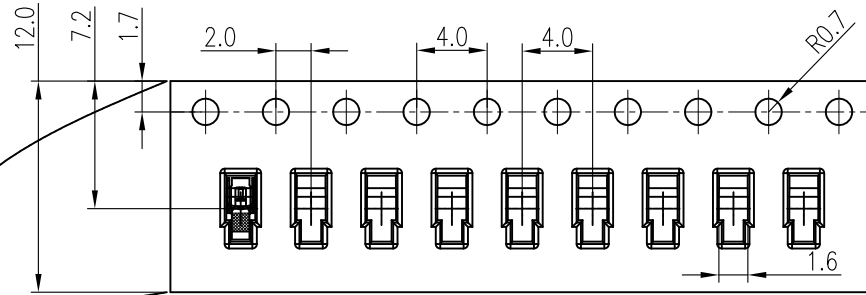
RECOMMENDED PCB LAYOUT  
TOLERANCE:±0.05



MEASURE POINT: QUADRANT POINT (QP) TANGENCY POINT (TP) INTERSECTION POINT (IP)	<b>JTS</b> JITS TECHNOLOGY CO., LIMITED	
	UNLESS OTHERWISE SPECIFIED, TOLERANCE: X.x iA0.20 X.xx iA0.15 X.xxx iA0.10 ANGULAR iA3iθ	DESING Alan DATE 2016.03.16 CHECKED Nick.F.H DATE 2016.03.16 APPROVED HaiYong.Luo DATE 2016.03.16
PART NO: P-JS-TTB25	REV: 03	SCALE: 16:1
DRAWING NO: P-JS-TTB25	SIZE: A4	SHEET: 1/2

RoHS

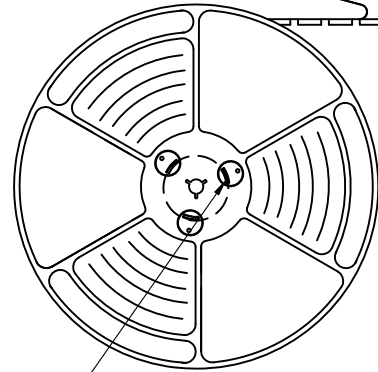
User Direction of Unreeling



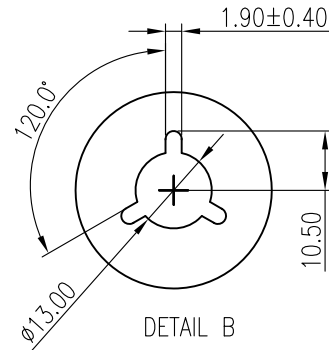
COVER TAPE PEELING ANGLE: 165°~180°  
PEELING FORCE: 20~130g

CARRIER TAPE

User Direction of Unreeling



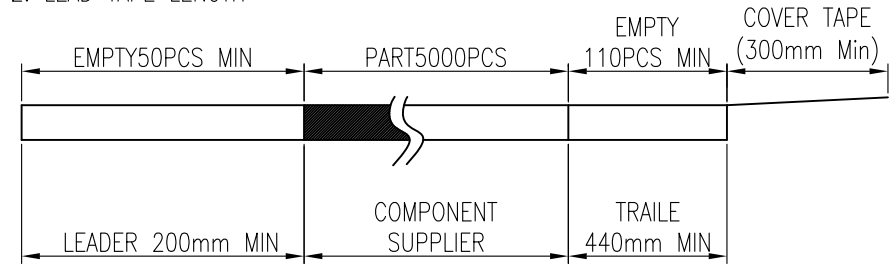
DETAIL B



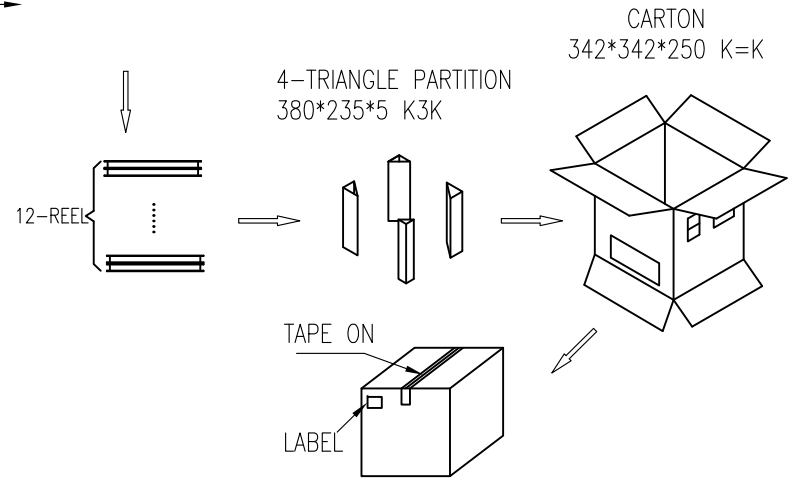
DETAIL B

NOTES

1. NUMBER OF CONNECTORS: 5000PCS/REEL
2. LEAD TAPE LENGTH



3. QUANTITY: 60000PCS/CARTON
4. WEIGHT :
  - 3.1 NET WEIGHT : 2.136Kg
  - 3.2 GROSS WEIGHT : 4.546Kg



MEASURE POINT:  
 QUADRANT POINT (QP)  
 TANGENCY POINT (TP)  
 INTERSECTION POINT (IP)

**JITS** JITS TECHNOLOGY CO., LIMITED

UNLESS OTHERWISE SPECIFIED, TOLERANCE:  
 X. ±0.25  
 X.X ±0.20  
 X.XX ±0.15  
 ANGULAR ±3°

DESING	Alna	DATE	2016.03.16	TITLE:		
CHECKED	Nick.F.H	DATE	2016.03.16	ANTENNA RF SPRING SMT TYPE		
APPROVED	HaiYong.Luo	DATE	2016.03.16	H:2.50mm L:3.50*1.50*2.50mm		
PART NO:	P-JS-TTB25			REV:	03	SCALE: 1:1
DRAWING NO:	P-JS-TTB25			UNIT:	mm	
	SIZE:	A4	SHEET:	2/2		