

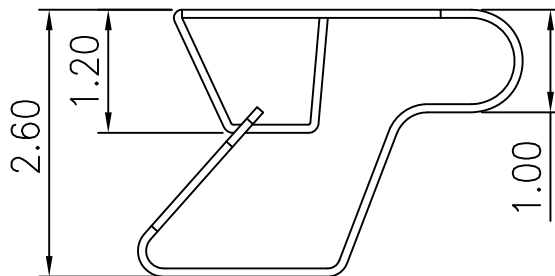
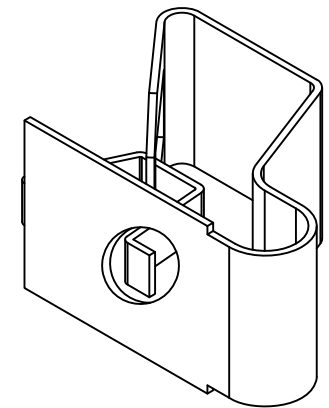
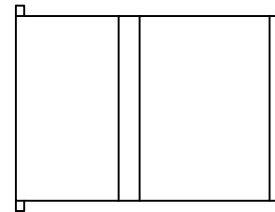
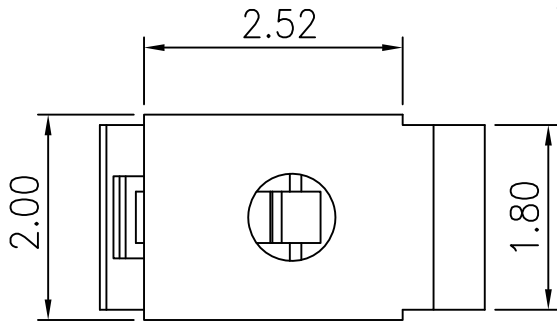
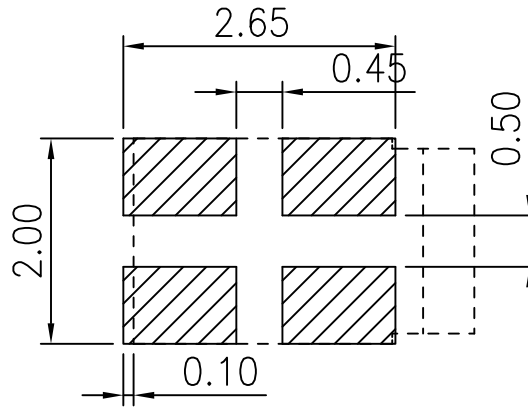
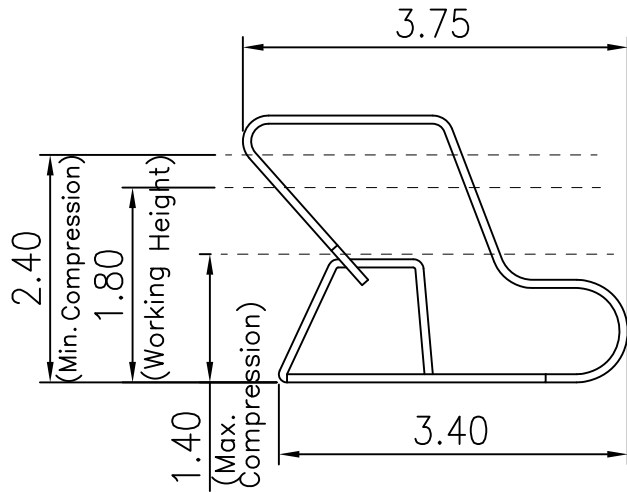
RoHS

REV.	LOCAS.	DESCRIPTION	DRAW.	DATE.
01	NEW	INITIAL RELEASE.	July	2009.07.11
02	△	ECN20120018	July	2012.04.21

NOTES:

- 1.MATERIAL:
 - 1.1 Copper Alloy
- 2.SPECIALITY:
 - 2.1 Rated current:1.0A
 - 2.2 Rated voltage:12V
 - 2.3 Contact Resistance:50mΩ Max
 - 2.4 Operating Temperature:-20°C~+65°C
 - 2.5 Max. Beam Deflection:1.00mm.On Contact POINT
3. RF PERFORMANCE:
 - 3.1 Impedance:50 ohm.
 - 3.2 Insertion Loss: 0.6dBMax.(DC~3GHz)
 - 3.3 VSWR: 1.5MAX.(DC~3GHz)

RECOMMENDED PCB LAYOUT
TOLERANCE:±0.05



MEASURE POINT:
 QUADRANT POINT (QP)
 TANGENCY POINT (TP)
 INTERSECTION POINT (IP)

JITS JITS
 TECHNOLOGY CO., LIMITED

UNLESS OTHERWISE SPECIFIED, TOLERANCE:

X. ±0.25
 X.x ±0.20
 X.xx ±0.15
 ANGULAR ±3°

DESING	July	DATE	2012.04.21	TITLE: ANTENNA RF SPRING SMT TYPE H:2.60mm L:3.75*2.00*2.60mm		
CHECKED	July	DATE	2012.04.21			
APPROVED	July	DATE	2012.04.21			
PART NO:	P-EM-26-20			REV: 02	SCALE: 20:1	UNIT: mm
DRAWING NO:	P-EM-26-20			SIZE: A4	SHEET: 1/1	