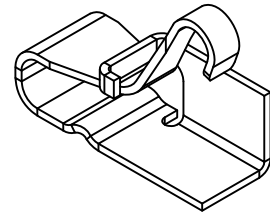
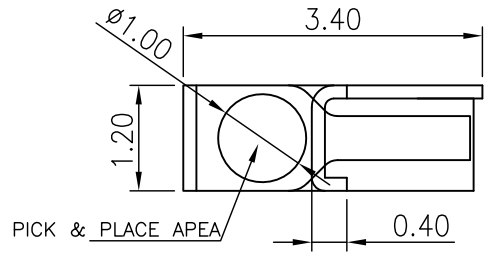
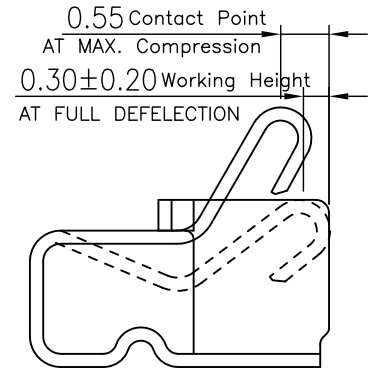
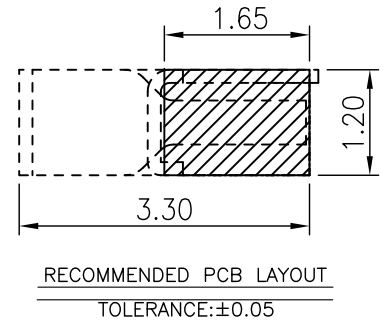
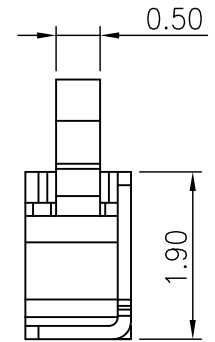
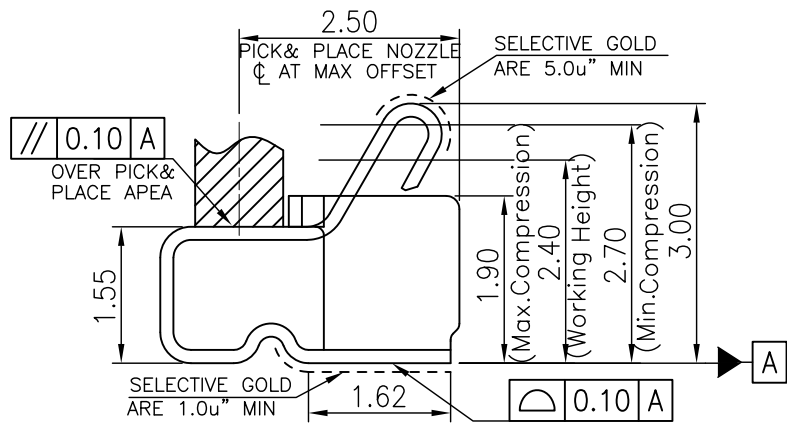


RoHS

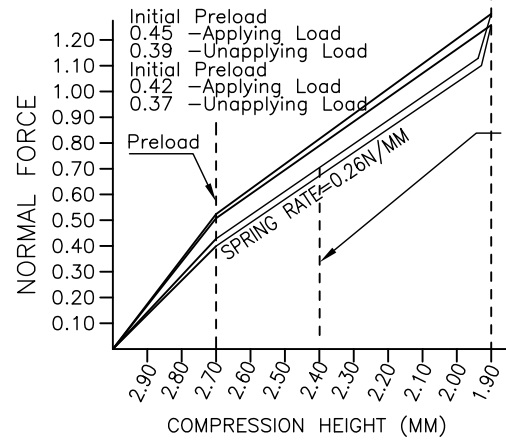
REV.	LOCAS.	DESCRIPTION	DRAW.	DATE.
01	NEW	INITIAL RELEASE.	Steven	2012.04.21



- NOTES:
- MATERIAL:
 - Copper Alloy
 - SPECIALITY:
 - Contact Resistance: 30mΩ Max
 - Operating Temperature: -20°C~+65°C
 - Max. Beam Deflection: 1.10mm. On Contact POINT
 - RF PERFORMANCE:
 - Impedance: 50 ohm.
 - Insertion Loss: 0.6dB Max. (DC~3GHz)
 - VSWR: 1.5 MAX. (DC~3GHz)
 - PLATING:
 - Contact Area: Plating Au 5u", underplated: 60u" MIN Ni.
 - Isolder Tail: Plating Au 1u", underplated: 60u" MIN Ni



LOAD/DEFLECTION GRAPH
MINIMUM CONTACT FORCES SHOWN
TOLERANCE +0.25N / -0.0N



LOAD AT 1.90 MM HEIGHT
INITIAL = 1.36 N (APPLYING LOAD)
AFER 3 x REFLOW = 1.27 N

INITIAL FORCE AT 2.40MM
COMPRESSION=
0.82N (APPLYING LOAD)
0.69N (UNAPPLYING LOAD)
AFTER 3 x REFLOW =
0.76N (APPLYING LOAD)
0.65N (UNAPPLYING LOAD)
INITIAL FORCE ONLY TO BE
MONITORED BY SPC

MEASURE POINT:
QUADRANT POINT (QP)
TANGENCY POINT (TP)
INTERSECTION POINT (IP)



UNLESS OTHERWISE SPECIFIED, TOLERANCE:
X. ±0.25
X.x ±0.20
X.xx ±0.15
ANGULAR ±3°

DESING	Steven	DATE	2012.04.21	TITLE:	ANTENNA RF SPRING SMT TYPE H:3.00mm L:3.40*1.20*3.00mm		
CHECKED	Nick	DATE	2012.04.21	REV:	01	SCALE:	12:1
APPROVED	Liufei	DATE	2012.04.21	UNIT:	mm		
PART NO:	P-JS-34-30			SIZE:	A4	SHEET:	1/1
DRAWING NO:	P-JS-34-30						